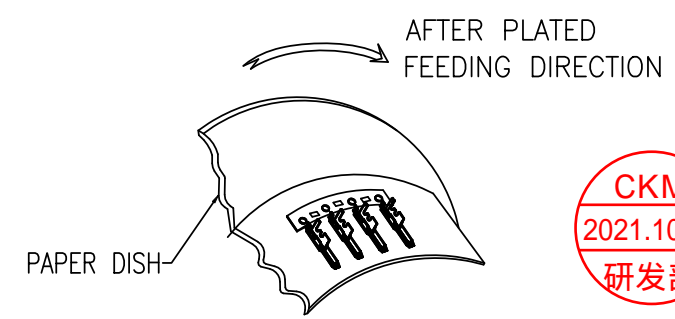
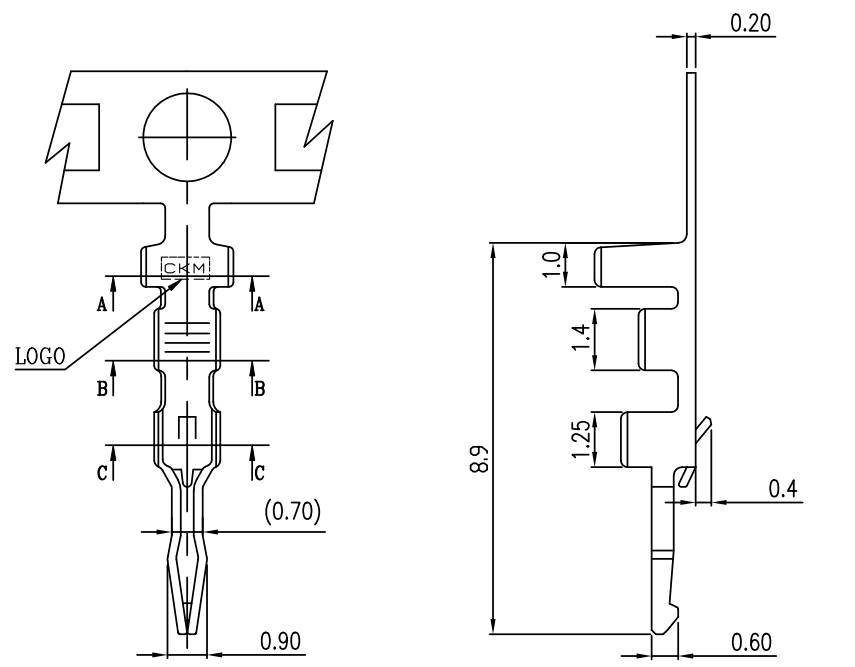


RoHS

CUST INFORMATION.

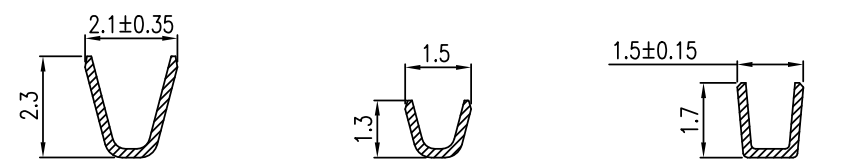
PART NO.	DRAWING NO.	REV.
----------	-------------	------



THE PAPER DISH ACCEPTS THE MATERIAL SKETCH MAP

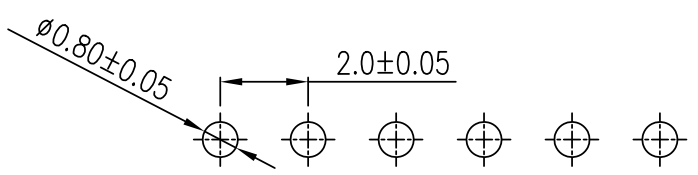
NOTE:

1. MATERIAL: 0.20mm THICK COPPER ALLOY
2. FINISH: TIN PLATED
3. APPLICABLE WIRES: AWG#30~#24
4. INSULATION O.D.: 0.9~1.3mm.
5. Q'TY REEL: 10000 PCS.
6. BILL OF PART NO:



SECTION A-A      SECTION B-B      SECTION C-C

2002TOX-BX  
 B=BRASS      P=PHOSPHOR BRONZE  
 1=PRE-TIN PLATING      2=POST-TIN PLATING



RECOMMENDED PCB LAYOUT  
 (PCB THK=1.0 OR 1.6)

TOLERANCE		PART NO.		朝貴電子股份有限公司 CKM ELECTRONICS CO., LTD.		
X. ±0.50	X.XXX ±0.15	2002TOX-BX				
X.X ±0.35	Angular ±5°	DRAWING NO.		TITLE: 2.0mm PITCH BOARD-IN CRIMP TERMINAL SOCKET		
X.XX ±0.25		C- 2002TOX-BX				
UNIT: mm DWG TYPE: Customer Drawing		APPROVED BY	CHECKED BY	DRAWN BY	PAGE	REV.
		Ivan_Su	Deliang Li	Heimer	10F1	A
		2021/10/12	2021/10/12	2021/10/12	SCALE	
				1 : 1		

B	EC-21101001	New Phosphor copper material number	Heimer	2021/10/12
A		NEW RELEASE	jimmy.w	2020/6/02
REV.	ECN NO	REVISION RECORD	DRAW	DATE