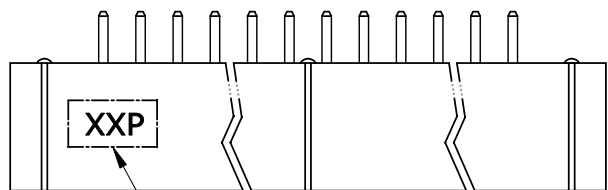


RoHS



CIRCUIT NO.



NOTE:

1. MATERIAL

1.1 INSULATOR: PBT, UL 94V-0 (BLACK)

1.2 CONTACT: SQ 0.64mm BRASS, TIN OR GOLD PLATING

2. RoHS COMPLIANT

3. BILL OF PART NO.:

2546WV-XP-XXX-XXA

NO. OF CIRCUITS: 6~50

FINISH: C=GOLD FLASH PLATING

OR C3=TIN & 10u" GOLD PLATING (CONTACT AREA)

VOID CIRCUITS: BLANK=STANDARD

△ H9=VOID 11~16

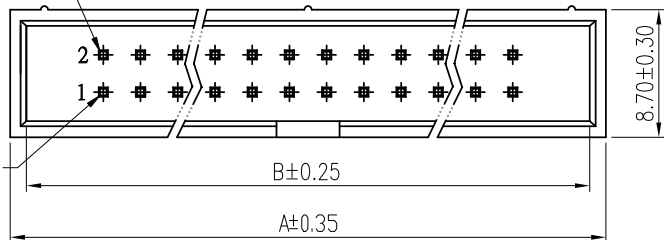
W12=VOID 11~14

4. FOR FINISH, AVAILABILITY, DELIVERY & MOQ, CONTACT CKM

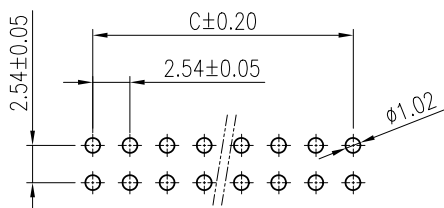
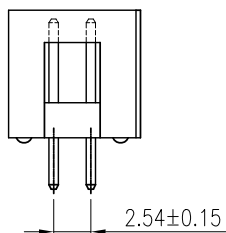
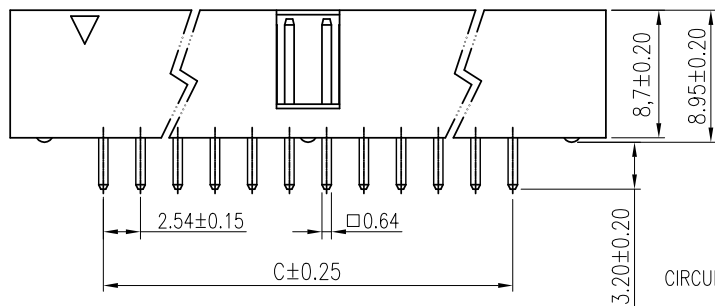
5. DIMENSIONAL

POS	A	B	C	POS	A	B	C
6	15.27	13.07	5.08	22	35.59	33.39	25.40
8	17.81	15.61	7.62	24	38.13	35.93	27.94
10	20.35	18.15	10.16	26	40.67	37.47	30.48
12	22.89	20.69	12.70	30	45.75	43.55	35.56
14	25.43	23.23	15.24	32	48.29	46.09	38.10
16	27.97	25.77	17.78	34	50.83	48.63	40.64
18	30.51	28.31	20.32	40	58.45	56.25	48.26
20	33.05	30.85	22.86	50	71.15	68.95	60.96

CIRCUIT NO.2



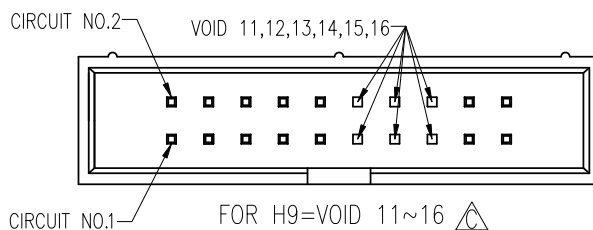
CIRCUIT NO.1



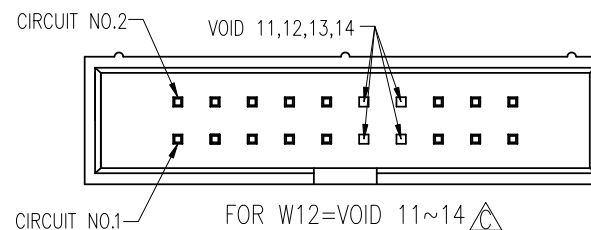
RECOMMENDED PCB LAYOUT

(PCB THK=1.0~1.6)

TOLERANCES ARE NON-CUMULATIVE:±0.05



FOR H9=VOID 11~16 △

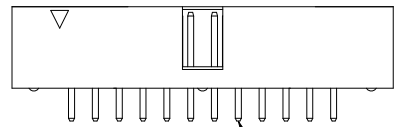


FOR W12=VOID 11~14 △

TOLERANCE		PART NO.		朝貴電子股份有限公司 CKM ELECTRONICS CO., LTD.	
X. X.X ±0.30	X.XXX ±0.10	2546WV-XP-XXX-XXA			
X.XX ±0.20	Angular ±2°	DRAWING NO.		DESCRIPTION	
		C-25460201/3-XX-XX		2.54mm PITCH VERTICAL DIP TYPE CONNECTOR	
		UNIT:	APPROVED BY	CHECKED BY	DRAWN BY
mm		mm	Ivan. su	Lance Cheng	Jimmy Wang
DWG TYPE.		2022. 08. 24		2022. 08. 24	
Customer Drawing		2022. 08. 24		2022. 08. 24	
			PAGE	SCALE	REV.
			1 OF 2	2 : 1	C

C	EC-22081316	ADD P/N	Jimmy Wang	2022.08.24
B		UPDATE THE PART NUMBER NOTE	Zhiqiang.tang	2018/07/23
REV.	ECN NO	REVISION RECORD	DRAW	DATE

RoHS



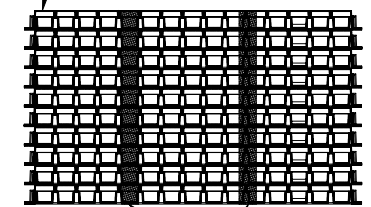
Products



TRAY

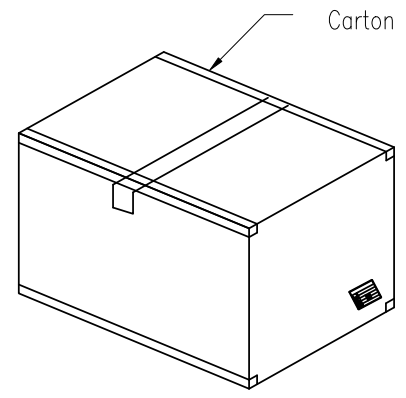


COVER

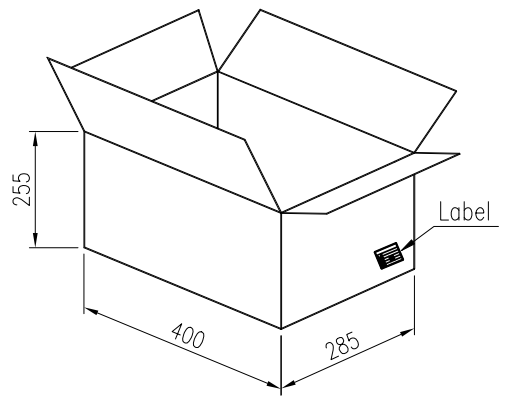


STACK 15 TRAYS TOGETHER

PE MEMBRANE



Carton



Label

POS	PCS/TRAY	PCS/CARTON	POS	PCS/TRAY	PCS/CARTON
6	480	7200	22	200	3000
8	400	6000	24	180	2700
10	360	5400	26	180	2400
12	320	4800	30	160	2400
14	280	4200	32	140	2100
16	260	3900	34	140	2100
18	240	3600	40	120	1800
20	220	3300	50	100	1500

TOLERANCE X. X.XXX ±0.10 X.X ±0.30 X.XX ±0.20 Angular ±2°		PART NO. 2546WV-XP-XXX-XXA		朝貴電子股份有限公司 CKM ELECTRONICS CO., LTD.	
		DRAWING NO. C-25460201/3-XX-XX		DESCRIPTION 2.54mm PITCH VERTICAL DIP TYPE CONNECTOR	
DWG TYPE. Customer Drawing		APPROVED BY Ivan. su 2022. 08. 24	CHECKED BY Lance Cheng 2022. 08. 24	DRAWN BY Jimmy Wang 2022. 08. 24	PAGE 2 OF 2 SCALE 2 : 1
				REV. C	

C	EC-22081316	ADD P/N	Jimmy Wang	2022.08.24
B		UPDATE THE PART NUMBER NOTE	Zhiqiang.tang	2018/07/23
REV.	ECN NO	REVISION RECORD	DRAW	DATE