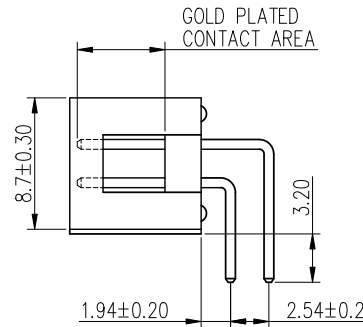
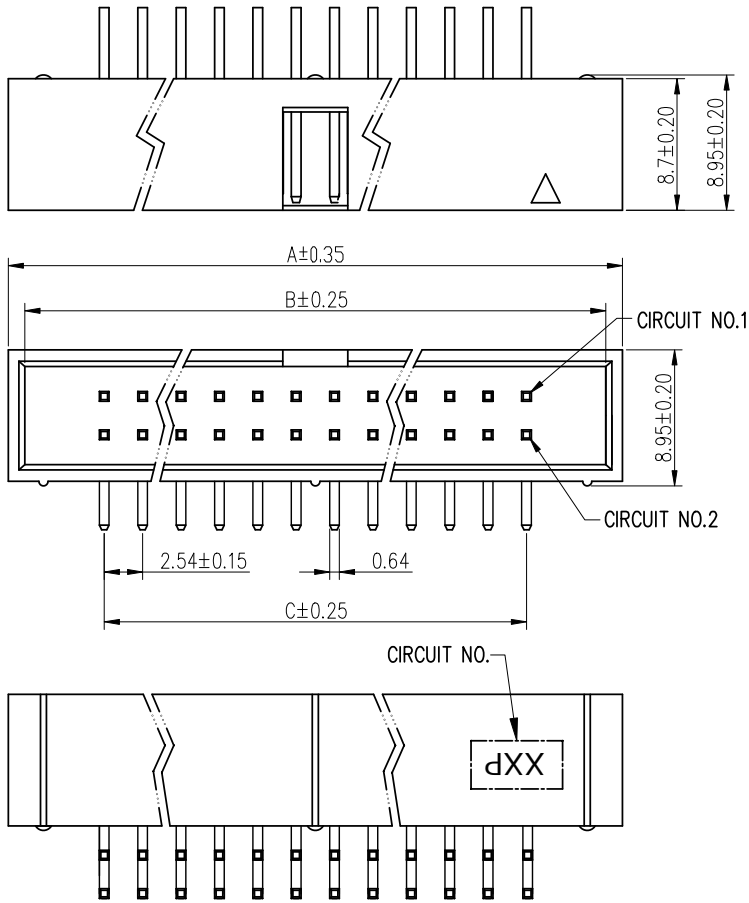
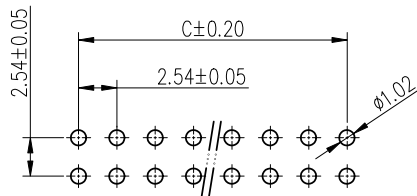


RoHS



- MATERIAL SPECIFICATION:
 - INSULATION: PBT, UL 94V-0(BLACK)
 - CONTACT: BRASS SQ 0.64mm
- FINISH: BRIGHT-TIN/GOLD PLATED(CONTACT AREA)
- RoHS COMPLIANT
- FOR AVAILABILITY, DELIVERY & MOQ, CONTACT CKM
- DIMENSIONAL

POS	A	B	C
6	15.27	13.07	5.08
8	17.81	15.61	7.62
10	20.35	18.15	10.16
12	22.89	20.69	12.70
14	25.43	23.23	15.24
16	27.97	25.77	17.78
18	30.51	28.31	20.32
20	33.05	30.85	22.86
22	35.59	33.39	25.40
24	38.13	35.93	27.94
26	40.67	38.47	30.48
30	45.75	43.55	35.56
32	48.29	46.09	38.10
34	50.83	48.63	40.64
40	58.45	56.25	48.26
50	71.15	68.95	60.96



RECOMMENDED PCB LAYOUT
(PCB THK=1.0~1.6)
TOLERANCES ARE NON-CUMULATIVE: ±0.05



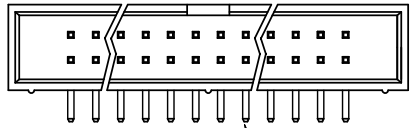
TOLERANCE		PART NO. 25460202-XX		朝貴電子股份有限公司 CKM ELECTRONICS CO., LTD.	
X. X.XXX ±0.10	X.X ±0.30	DRAWING NO. C-25460202-XX			
X.XX ±0.20	Angular ±2°	APPROVED BY Angus Chen 2018.07.23		CHECKED BY Angus Chen 2018.07.23	DRAWN BY Zhiqiang Tang 2018.07.23
UNIT: mm		DWG TYPE. Customer Drawing		PAGE 1 OF 1	REV. B
		SCALE 2 : 1			

B		UPDATE THE PART NUMBER NOTE	Zhiqiang.tang	2018/07/23
A		NEW RELEASE	Jimmy	2017.05.05
REV.	ECN NO	REVISION RECORD	DRAW	DATE

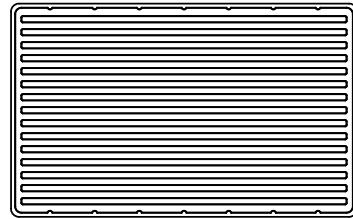
RoHS

CUST INFORMATION.

PART NO.	DRAWING NO.	REV.
----------	-------------	------



Products

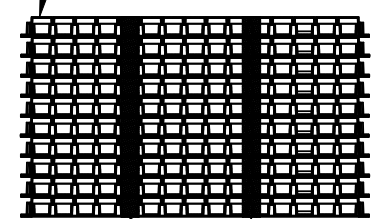


TRAY BOTTOM COVER



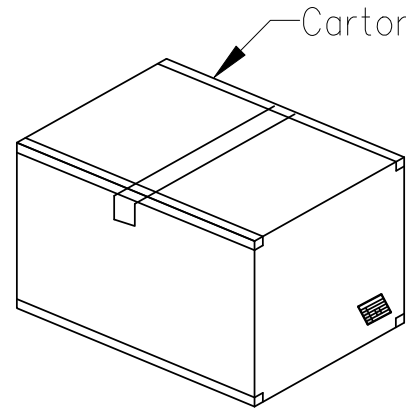
TRAY TOP COVER

STACK 15 TRAYS TOGETHER

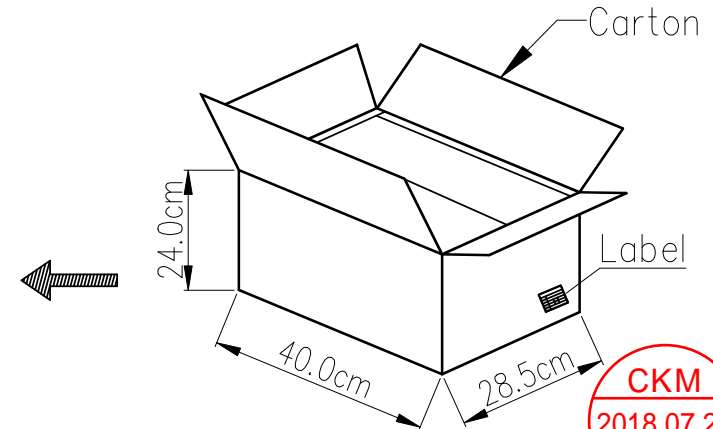


PE MEMBRANE

POS	PCS/TRAY	PCS/CARTON
6	480	7200
8	400	6000
10	360	5400
12	320	4800
14	280	4200
16	240	3600
18	240	3600
20	200	3000
22	200	3000
24	180	2700
26	160	2400
30	160	2400
32	140	2100
34	140	2100
40	120	1800
50	100	1500



Carton



CKM
2018.07.25
研发部

TOLERANCE		PART NO.		朝貴電子股份有限公司		
X.	X.XXX ±0.10	25460202-XX		CKM ELECTRONICS CO., LTD.		
X.X ±0.30		DRAWING NO.		TITLE.		
X.XX ±0.20	Angular ±2°	C-25460202-XX		2.54mm PITCH VERTICAL DIP TYPE CONNECTOR		
UNIT: mm		APPROVED BY	CHECKED BY	DRAWN BY	PAGE	REV.
DWG TYPE.		Angus Chen	Angus Chen	Zhiqiang Tang	2 OF 2	B
Customer Drawing		2018.07.23	2018.07.23	2018.07.23	SCALE	
					2 : 1	

B		UPDATE THE PART NUMBER NOTE	Zhiqiang.tang	2018/07/23
A		NEW RELEASE	Jimmy	2017.05.08
REV.	ECN NO	REVISION RECORD	DRAW	DATE