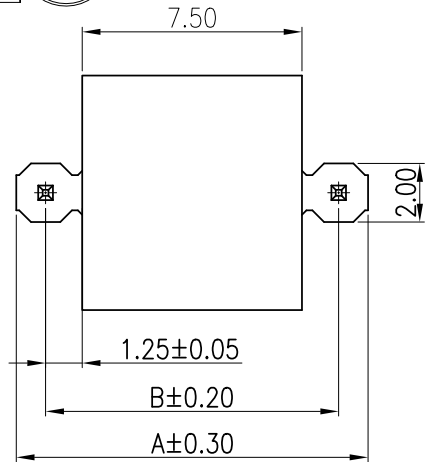


RoHS

HF



CKM
2021.10.07
研发部

NOTES:

1. MATERIAL:

1.1 INSULATOR: NYLON 6T, UL 94V-0 (BLACK)

1.2 CONTACT: SQ. 0.50mm PHOSPHOR BRONZE

2. FINISH: GOLD FLASH PLATING

3. RoHS & RED PHOSPHOR / HALOGEN FREE COMPLIANCE

4. BILL OF PART NO.:

2004WV-1BCxXP-CA-6T-RPC-HF

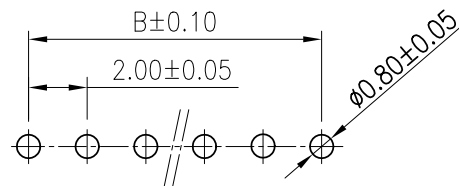
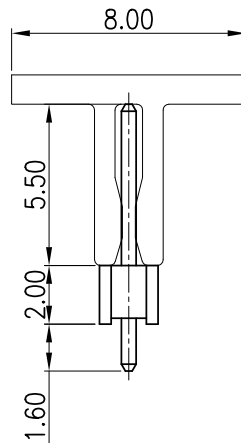
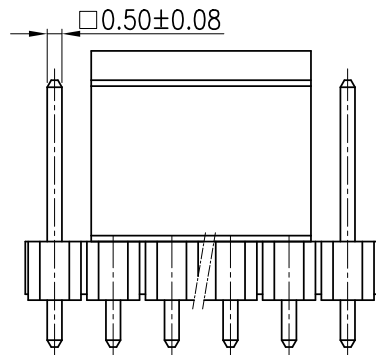
SINGLE ROW ← REEL PACKAGE(W/CAP)

NO OF CIRCUITS: 5~30

5. FOR AVAILABILITY, DELIVERY & MOQ, CONTACT CKM

6. DIMENSIONAL

POS	A	B	POS	A	B
5	10.0	8.0	18	36.0	34.0
6	12.0	10.0	19	38.0	36.0
7	14.0	12.0	20	40.0	38.0
8	16.0	14.0	21	42.0	40.0
9	18.0	16.0	22	44.0	42.0
10	20.0	18.0	23	46.0	44.0
11	22.0	20.0	24	48.0	46.0
12	24.0	22.0	25	50.0	48.0
13	26.0	24.0	26	52.0	50.0
14	28.0	26.0	27	54.0	52.0
15	30.0	28.0	28	56.0	54.0
16	32.0	30.0	29	58.0	56.0
17	34.0	32.0	30	60.0	58.0



RECOMMEND PCB LAYOUT
GENERAL TOLERANCE ±0.05

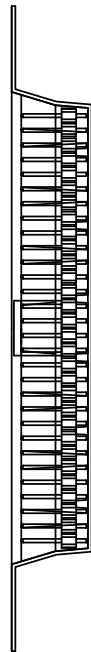
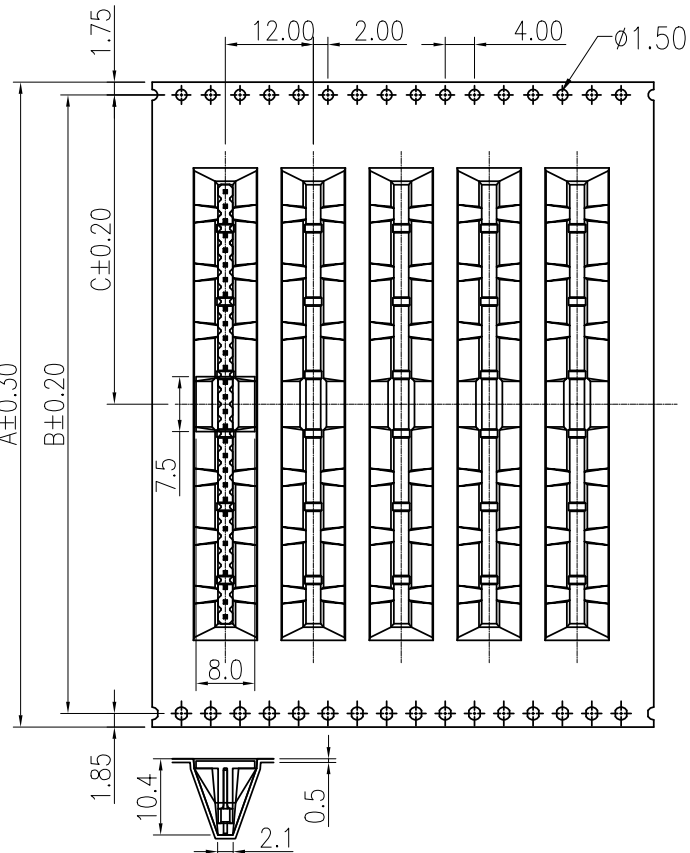
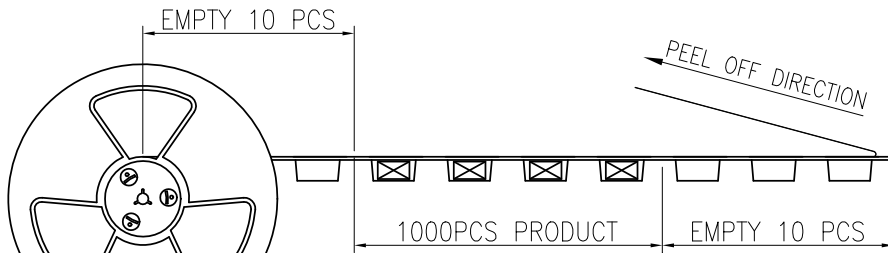
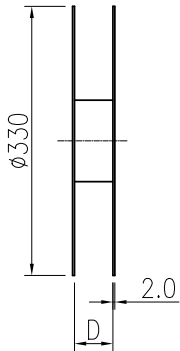
TOLERANCE		PART NO.		朝貴電子股份有限公司 CKM ELECTRONICS CO., LTD.	
X. X.X ±0.30	X.XXX ±0.10	2004WV-1BCxXP-CA-6T-RPC-HF			
X.XX ±0.20	Angular ±2°	DRAWING NO.		DESCRIPTION	
UNIT: mm DWG TYPE: Customer Drawing		C-2004WV-1BCxXP-CA-6T-RPC-HF		2.0mm PITCH VERTICAL DIP TYPE CONNECTOR	
APPROVED BY		CHECKED BY		DRAWN BY	
Ivan Su 2021.09.16		Lance Cheng 2021.09.16		Lance Cheng 2021.09.16	
				PAGE	
				1 OF 2	
				SCALE	
				4 : 1	
				REV.	
				B	

B	EC-21090983	CHANGE PACKING	Lance Cheng	2021.09.16
A		NEW RELEASE	Lance Cheng	2020.12.29
REV.	ECN NO	REVISION RECORD	DRAW	DATE

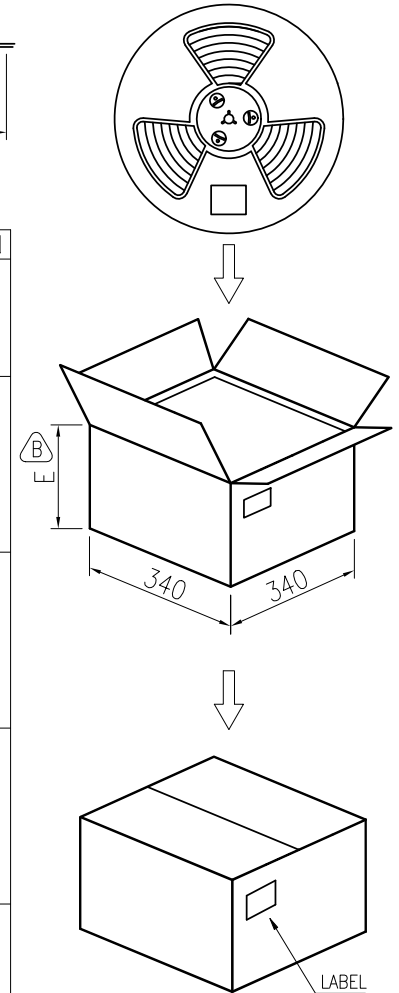
RoHS

HF

CKM
2021.10.07
研发部



POS	A	B	C	D	E	PCS/REEL	PCS/CARTON
5							
6	32.0	28.4	14.2	38.0	145		1500
7							
8							
9							
10							
11							
12	44.0	40.4	20.2	50.0	180		1500
13							
14							
15							
16							
17							
18	56.0	52.4	26.2	62.0	220	500	1500
19							
20							
21							
22							
23							
24	72.0	68.4	34.2	78.0			1500
25							
26					280		
27							
28							
29	88.0	84.4	42.2	94.0			1000
30							



TOLERANCE		PART NO.		朝貴電子股份有限公司 CKM ELECTRONICS CO., LTD.	
X. X.XXX ±0.10		2004WV-1BCxXP-CA-6T-RPC-HF			
X.X ±0.30		DRAWING NO.		DESCRIPTION	
X.XX ±0.20	Angular ±2°	C-2004WV-1BCxXP-CA-6T-RPC-HF		2.0mm PITCH VERTICAL DIP TYPE CONNECTOR	
UNIT: mm DWG TYPE. Customer Drawing		APPROVED BY	CHECKED BY	DRAWN BY	PAGE
		Ivan Su 2021.09.16	Lance Cheng 2021.09.16	Lance Cheng 2021.09.16	2 OF 2
				SCALE	REV.
				4 : 1	B

B	EC-21090983	CHANGE PACKING	Lance Cheng	2021.09.16
A		NEW RELEASE	Lance Cheng	2020.12.31
REV.	ECN NO	REVISION RECORD	DRAW	DATE