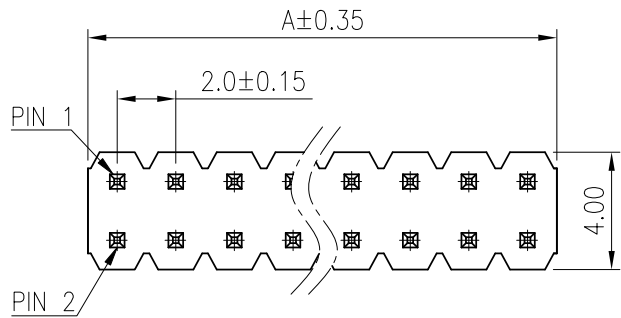


RoHS

HF



NOTES:

1. MATERIAL:

1.1 INSULATOR: NYLON 6T, UL 94V-0(BLACK)

1.2 CONTACT: PHOSPHOR BRONZE SQ. 0.50mm, GOLD FLASH.

2. RoHS & HALOGEN FREE COMPLIANCE

3. BILL OF PART NO.:

2004WV-2JxXP-CA-6T-RPNC-HF

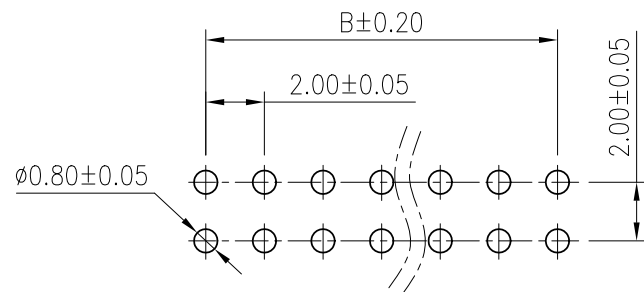
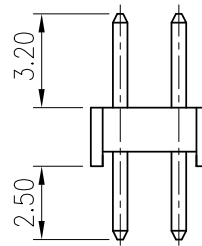
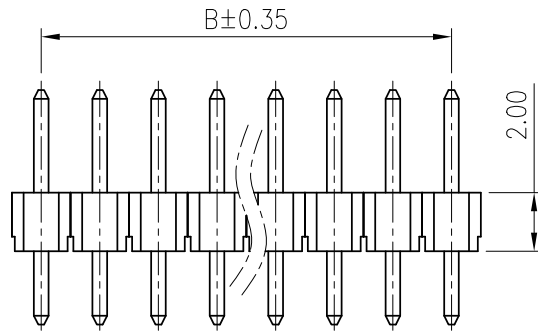
REEL & TAPE PACKAGE

NO OF CIRCUITS PER ROW: 3~25

4. FOR AVAILABILITY, DELIVERY & MOQ, CONTACT CKM

5. DIMENSIONAL

| POS | A | B | POS | A | B |
|-----|------|------|-----|------|------|
| 06 | 6.0 | 4.0 | 34 | 34.0 | 32.0 |
| 08 | 8.0 | 6.0 | 36 | 36.0 | 34.0 |
| 10 | 10.0 | 8.0 | 38 | 38.0 | 36.0 |
| 12 | 12.0 | 10.0 | 40 | 40.0 | 38.0 |
| 14 | 14.0 | 12.0 | 42 | 42.0 | 40.0 |
| 16 | 16.0 | 14.0 | 44 | 44.0 | 42.0 |
| 18 | 18.0 | 16.0 | 46 | 46.0 | 44.0 |
| 20 | 20.0 | 18.0 | 48 | 48.0 | 46.0 |
| 22 | 22.0 | 20.0 | 50 | 50.0 | 48.0 |
| 24 | 24.0 | 22.0 | | | |
| 26 | 26.0 | 24.0 | | | |
| 28 | 28.0 | 26.0 | | | |
| 30 | 30.0 | 28.0 | | | |
| 32 | 32.0 | 30.0 | | | |



RECOMMEND PCB LAYOUT
 GENERAL TOLERANCE ±0.05,T=1.20mm

| | | | | | |
|--|-------------|------------------------------|--|---|--|
| TOLERANCE | | PART NO. | | 朝貴電子股份有限公司 CKM ELECTRONICS CO., LTD. | |
| X. X.X ±0.30 | X.XXX ±0.10 | 2004WV-2JxXP-CA-6T-RPNC-HF | | | |
| X.XX ±0.20 | Angular ±2° | DRAWING NO. | | TITLE. | |
| UNIT: mm DWG TYPE. Customer Drawing | | C-2004WV-2JxXP-CA-6T-RPNC-HF | | 2.0mm PITCH VERTICAL DIP TYPE CONNECTOR | |
| APPROVED BY | | CHECKED BY | | DRAWN BY | |
| Ivan.su | | Sun.lee | | Angel.tong | |
| 2022.09.01 | | 2022.09.01 | | 2022.09.01 | |
| | | | | PAGE | |
| | | | | 1 OF 2 | |
| | | | | SCALE | |
| | | | | 4 : 1 | |
| | | | | REV. | |
| | | | | B | |

| | | | | |
|------|-------------|-----------------|------------|------------|
| B | EC-22091319 | CHANGE DRAWING | Angel.tong | 2022.09.01 |
| A | | NEW RELEASE | Jimmy WAng | 2019.08.27 |
| REV. | ECN NO | REVISION RECORD | DRAW | DATE |

RoHS

HF

PEELING STRENGTH:10~130GF
PEELING SPEED:300mm/Min

A

B

C

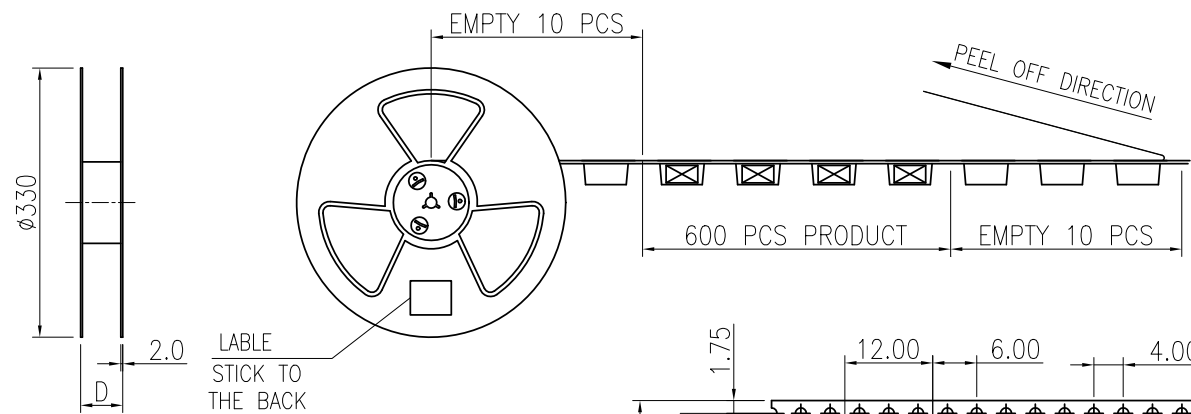
D

A

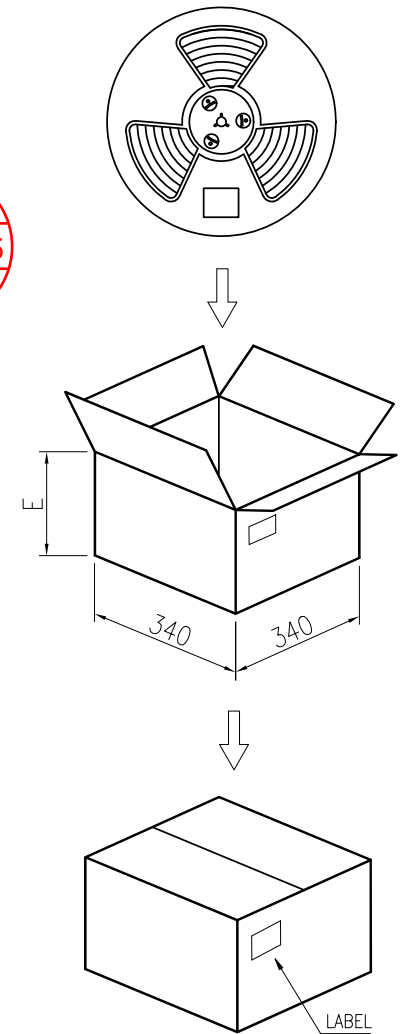
B

C

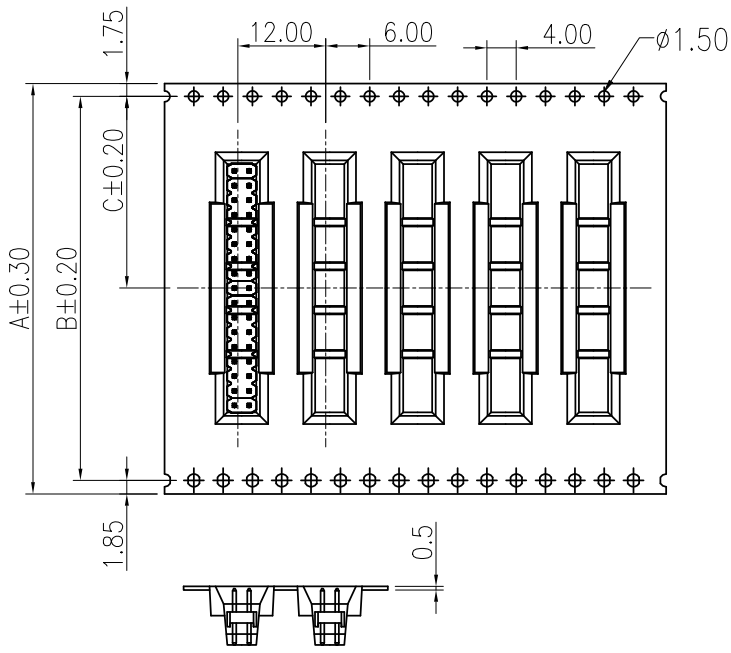
D



CKM
2022.09.05
研发部



| POS | A | B | C | D | E | PCS/REEL | PCS/CARTON |
|-----|----|------|------|------|-----|----------|------------|
| 06 | 16 | | 7.5 | 22 | 120 | 600 | 2400 |
| 08 | | | | | | | |
| 10 | 24 | | 11.5 | 30.0 | 120 | | |
| 12 | | | | | | | |
| 14 | | | | | | | |
| 16 | 32 | 28.4 | 14.2 | 38.0 | 145 | | |
| 18 | | | | | | | |
| 20 | 44 | 40.4 | 20.2 | 50 | 180 | | |
| 22 | | | | | | | |
| 24 | | | | | | | |
| 26 | | | | | | | |
| 28 | 56 | 52.4 | 26.2 | 62.0 | 220 | 600 | 1800 |
| 30 | | | | | | | |
| 32 | | | | | | | |
| 34 | | | | | | | |
| 36 | | | | | | | |
| 38 | | | | | | | |
| 40 | | | | | | | |
| 42 | | | | | | | |
| 44 | 72 | 68.4 | 34.2 | 78.0 | 280 | | |
| 46 | | | | | | | |
| 48 | | | | | | | |
| 50 | | | | | | | |



| | | | | | |
|------------------------------|-------------------|------------------------------|--------------|---|--|
| TOLERANCE | | PART NO. | | 朝貴電子股份有限公司 CKM ELECTRONICS CO., LTD. | |
| X. X.XXX ±0.10 | X.X ±0.30 | 2004WV-2JxXP-CA-6T-RPNC-HF | | | |
| X.XX ±0.20 | Angular ±2° | DRAWING NO. | | TITLE. | |
| UNIT: mm Customer Drawing | | C-2004WV-2JxXP-CA-6T-RPNC-HF | | 2.0mm PITCH VERTICAL DIP TYPE CONNECTOR | |
| APPROVED BY | CHECKED BY | DRAWN BY | PAGE | REV. | |
| Ivan.su | Sun.lee | Angel.tong | 2 OF 2 | B | |
| 2022.09.01 | 2022.09.01 | 2022.09.01 | SCALE | | |
| | | | 1 : 1 | | |

| | | | | |
|------|-------------|------------------|------------|------------|
| B | EC-22091319 | CHANGE DRAWING | Angel.tong | 2022.09.01 |
| A | | PROPOSAL DRAWING | Jimmy WAng | 2019.08.27 |
| REV. | ECN NO | REVISION RECORD | DRAW | DATE |