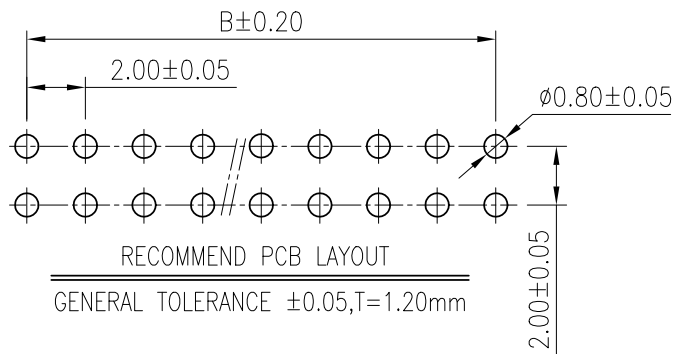
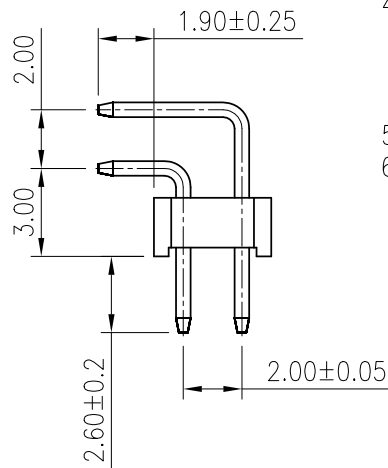
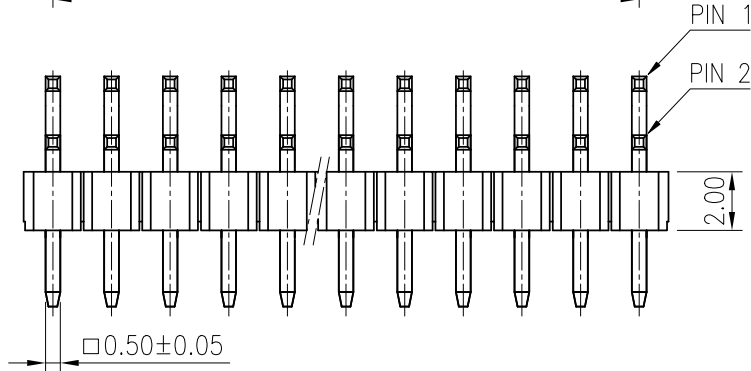
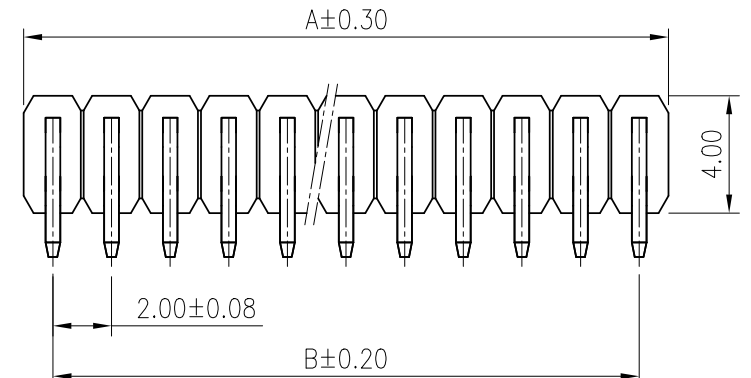


RoHS

HF

CKM  
2021.11.04  
研发部



NOTES:

1. MATERIAL SPECIFICATION

- 1.1 INSULATOR: NYLON 6T, UL 94V-0, (BLACK)
- 1.2 CONTACT: SQ. 0.50mm COPPER ALLOY

2. FINISH: GOLD FLASH PLATING

3. RoHS & HOLOGEN-FREE COMPLIANCE

4. BILL OF PART NO.:

2004WR-2ALxXP-CA-6T-RPC-HF

DUAL ROW ← HALOGEN-FREE  
NO OF CIRCUITS: 3~25 → REEL PACKAGE (W/CAP)

5. FOR AVAILABILITY, DELIVERY & MOQ, CONTACT CKM

6. DIMENSIONAL

POS	A	B	POS	A	B
2x3	6.0	4.0	2x14	28.0	26.0
2x4	8.0	6.0	2x15	30.0	28.0
2x5	10.0	8.0	2x16	32.0	30.0
2x6	12.0	10.0	2x17	34.0	32.0
2x7	14.0	12.0	2x18	36.0	34.0
2x8	16.0	14.0	2x19	38.0	36.0
2x9	18.0	16.0	2x20	40.0	38.0
2x10	20.0	18.0	2x21	42.0	40.0
2x11	22.0	20.0	2x22	44.0	42.0
2x12	24.0	22.0	2x23	46.0	44.0
2x13	26.0	24.0	2x24	48.0	46.0
			2x25	50.0	48.0

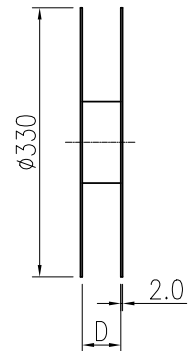
<b>TOLERANCE</b>		<b>PART NO.</b>		<b>朝貴電子股份有限公司</b> <b>CKM ELECTRONICS CO., LTD.</b>	
X. X.X ±0.30	X.XXX ±0.10	2004WR-2ALxXP-CA-6T-RPC-HF			
X.XX ±0.20	Angular ±2°	<b>DRAWING NO.</b>		<b>TITLE.</b>	
<b>UNIT:</b> mm		C-2004WR-2ALxXP-CA-6T-RPC-HF		2.0mm PITCH RIGHT ANGLE DIP TYPE CONNECTOR	
<b>DWG TYPE.</b> Customer Drawing		<b>APPROVED BY</b>	<b>CHECKED BY</b>	<b>DRAWN BY</b>	<b>PAGE</b>
		Ivan.su 2021.11.02	Jimmy Wang 2021.11.02	Jimmy Wang 2021.11.02	1 OF 2
				<b>SCALE</b>	<b>REV.</b>
				4 : 1	B

B	EC-21111020	UPDETE PACKAGE INFO	Jimmy Wang	2021.11.02
A		NEW RELEASE	Jimmy Wang	2019.10.24
REV.	ECN NO	REVISION RECORD	DRAW	DATE

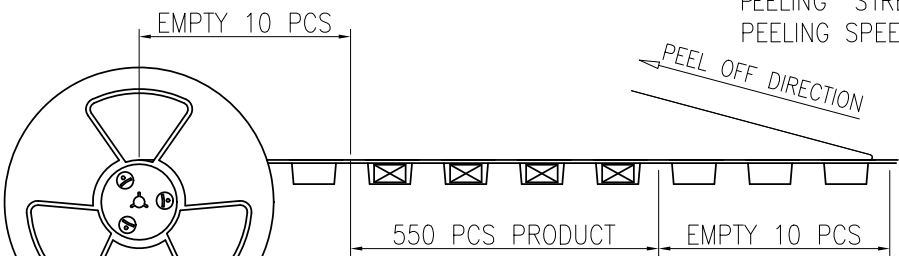
**RoHS** **HF**

PEELING STRENGTH:10~130GF  
PEELING SPEED:300mm/Min

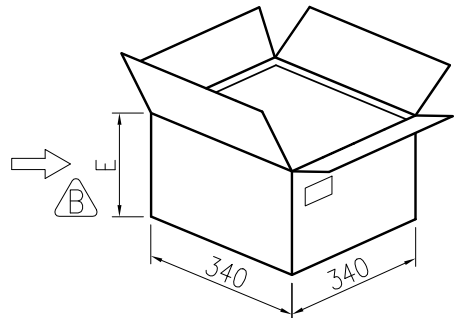
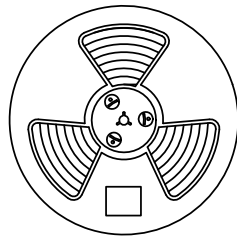
A  
B  
C  
D



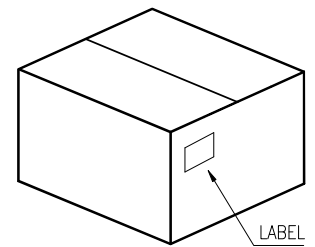
LABLE  
STICK TO  
THE BACK



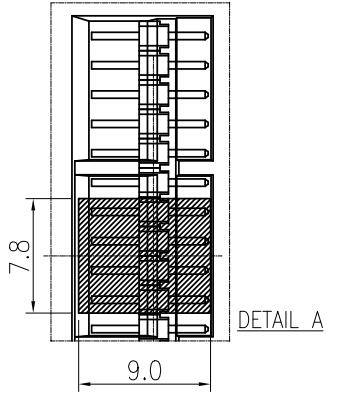
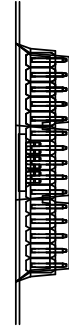
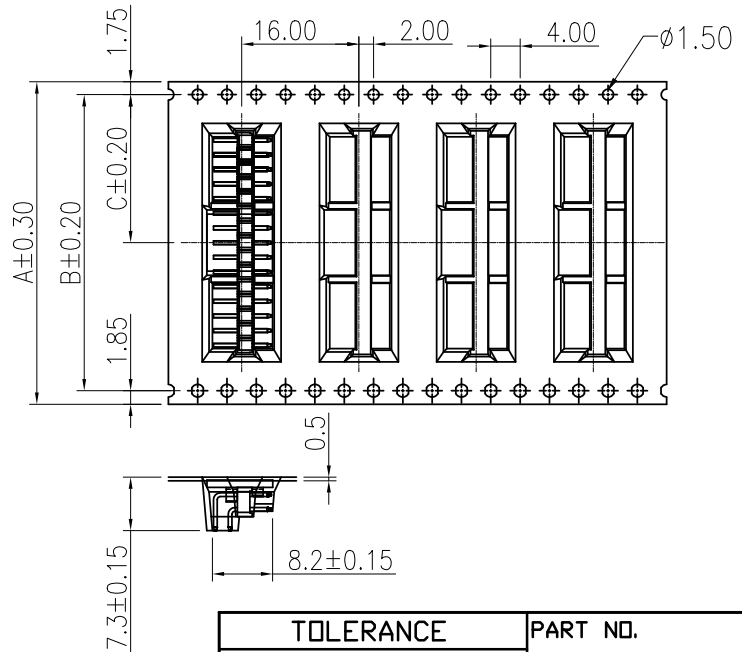
PEEL OFF DIRECTION



**CKM**  
2021.11.04  
研发部



POS	A	B	C	D	E	PCS/REEL	PCS/CARTON
2x3	16	--	7.5	22.0	120	550	2200
2x4							
2x5							
2x6							
2x7							
2x8							
2x9	44.0	40.4	20.2	50.0	180		
2x10							
2x11							
2x12							
2x13							
2x14							
2x15							
2x16							
2x17							
2x18							
2x19							
2x20							
2x21	72.0	68.4	34.2	78.0	280		
2x22							
2x23							
2x24							
2x25							



<b>TOLERANCE</b>		<b>PART NO.</b>		<b>朝貴電子股份有限公司</b> <b>CKM ELECTRONICS CO., LTD.</b>
X. X.X ±0.30	X.XXX ±0.10	<b>2004WR-2ALxXP-CA-6T-RPC-HF</b>		
X.XX ±0.20	Angular ±2°	<b>DRAWING NO.</b>		<b>TITLE.</b>
UNIT: mm		<b>C-2004WR-2ALxXP-CA-6T-RPC-HF</b>		<b>2.0mm PITCH RIGHT ANGLE DIP TYPE CONNECTOR</b>
<b>DWG TYPE.</b>	<b>APPROVED BY</b>	<b>CHECKED BY</b>	<b>DRAWN BY</b>	<b>PAGE</b>
<b>Customer Drawing</b>	Ivan.su 2021.11.02	Jimmy Wang 2021.11.02	Jimmy Wang 2021.11.02	<b>2 OF 2</b>
				<b>SCALE</b>
				1 : 1
				<b>REV.</b>
				B

B	EC-21111020	UPDETE PACKAGE INFO	Jimmy Wang	2021.11.02
A		NEW RELEASE	Jimmy Wang	2019.10.24
REV.	ECN NO	REVISION RECORD	DRAW	DATE