

RoHS



CUST INFORMATION.

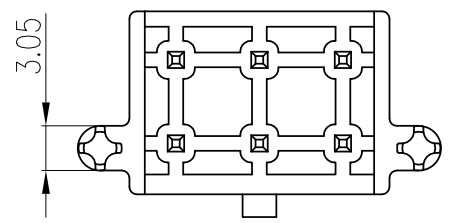
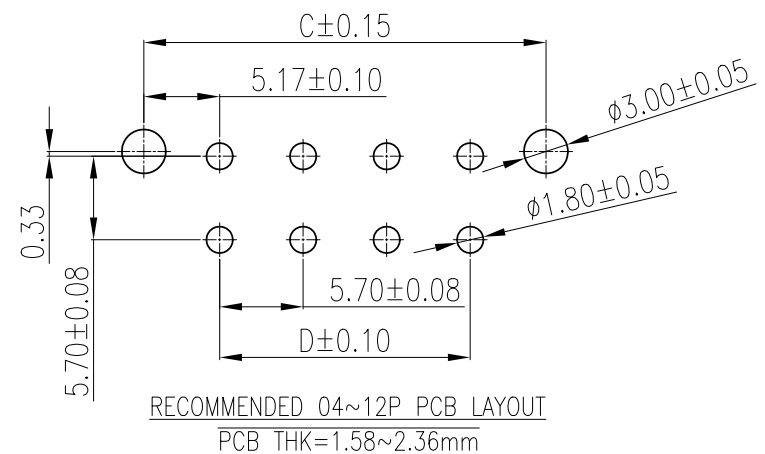
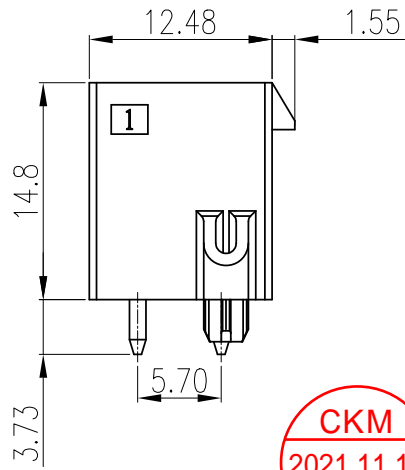
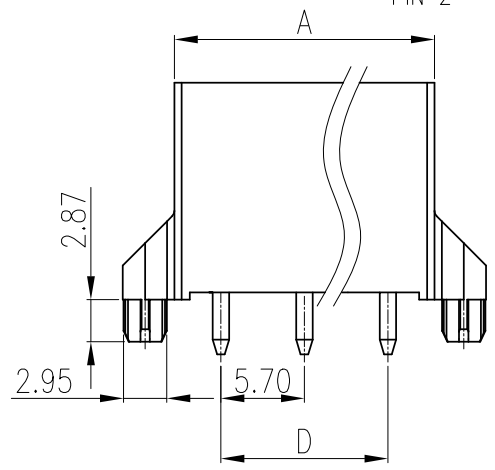
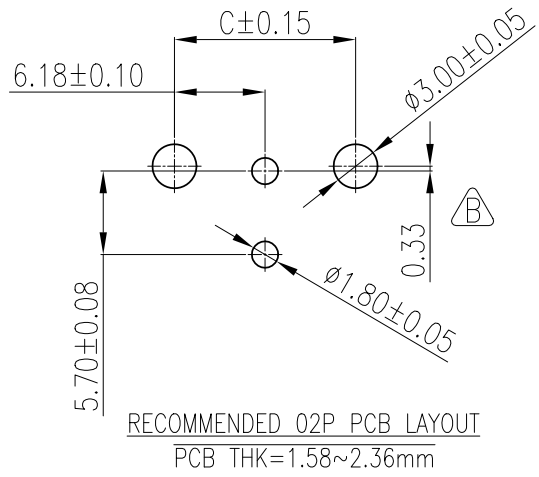
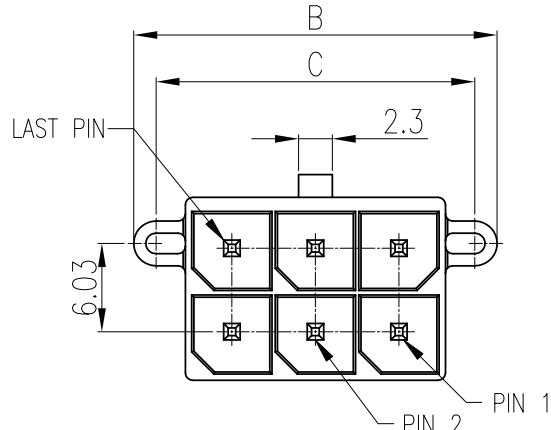
PART NO. NA	DRAWING NO. NA	REV. NA
----------------	-------------------	------------

NOTES:

- MATERIAL :
 - 1.1 INSULATION: LCP UL94V-0(BLACK)
 - 1.2 CONTACT: SQ 1.12mm, HIGH CONDUCTIVITY COPPER ALLOY
- FINISH: TIN OR GOLD PLATING
- RoHS & HALOGEN-FREE
- PART OF PART NO.
5701WV-XP-XX
 NO. OF CIRCUITS: 2~12
 FINISH: A=MATTE TIN PLATED
 B=BRIGHT TIN PLATED
 C4=15u" GOLD
 C7=30u" GOLD
- FOR AVAILABILITY, DELIVERY & MOQ, CONTACT CKM
- DIMENSIONAL:

POS	DIM A	DIM B	DIM C	DIM D
2	8.35	15.39	12.34	
4	12.05	19.10	16.04	5.70
6	17.75	24.80	21.74	11.40
8	23.45	30.50	27.44	17.10
10	29.15	36.20	33.14	22.80
12	34.85	41.90	38.84	28.50

A
B
C
D



TOLERANCE X. X.XXX ±0.10 X.X ±0.30 X.XX ±0.20 Angular ±2°		PART NO. 5701WV-XP-XX		朝貴電子股份有限公司 CKM ELECTRONICS CO., LTD.	
UNIT: mm		DRAWING NO. C-5701WV-XP-XX		TITLE. 5.7mm PITCH VERTICAL DIP TYPE CONNECTOR	
DWG TYPE. Customer Drawing		APPROVED BY Ivan.Su 2021.11.11	CHECKED BY Sun.Lee 2021.11.11	DRAWN BY GuoXiang.Jiang 2021.11.11	PAGE 1 OF 3 SCALE 2 : 1
					REV. C

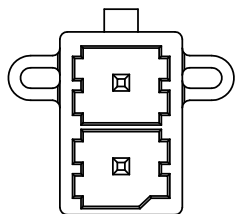
C	EC-21111024	UPDATE	GuoXiang.Jiang	2021.11.11
B	EC-20090686	ADD 02P PCB LAYOUT	GuoXiang.Jiang	2020.09.04
REV.	ECN NO	REVISION RECORD	DRAW	DATE

1 RoHS

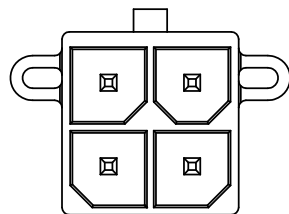


6 CUST INFORMATION.

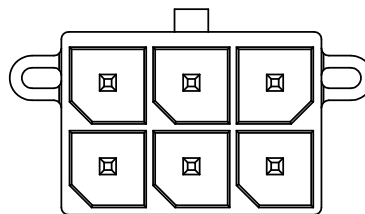
PART NO. NA	DRAWING NO. NA	REV. NA
----------------	-------------------	------------



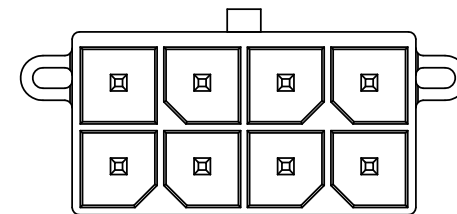
2P



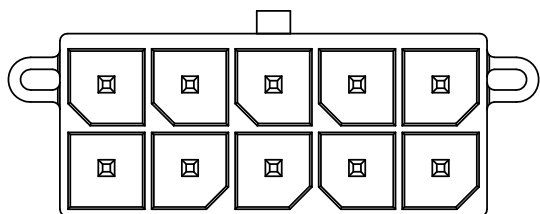
4P



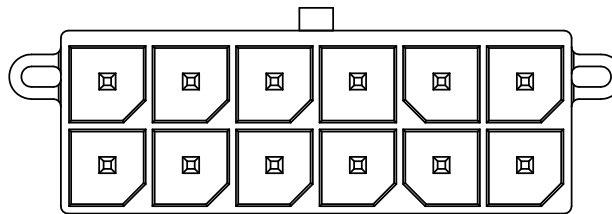
6P



8P



10



12P



TOLERANCE		PART NO. 5701WV-XP-XX		朝貴電子股份有限公司 CKM ELECTRONICS CO., LTD.	
X. X.X ±0.30 X.XX ±0.20	X.XXX ±0.10 Angular ±2°	DRAWING NO. C-5701WV-XP-XX		TITLE. 5.7mm PITCH VERTICAL DIP TYPE CONNECTOR	
UNIT: mm		APPROVED BY Ivan.Su 2021.11.11	CHECKED BY Sun.Lee 2021.11.11	DRAWN BY GuoXiang.Jiang 2021.11.11	PAGE 2 OF 3 SCALE 2 : 1
DWG TYPE. Customer Drawing				REV. C	

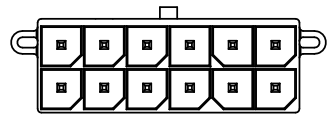
C	EC-21111024	UPDATE	GuoXiang.Jiang	2021.11.11
B	EC-20090686	ADD 02P PCB LAYOUT	GuoXiang.Jiang	2020.09.04
REV.	ECN NO	REVISION RECORD	DRAW	DATE

1 RoHS

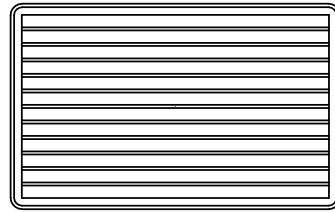


6 CUST INFORMATION.

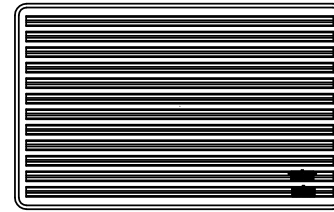
PART NO. NA	DRAWING NO. NA	REV. NA
----------------	-------------------	------------



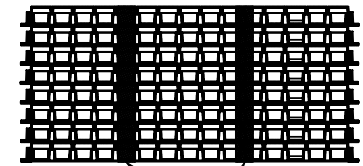
Products



TRAY BOTTOM COVER

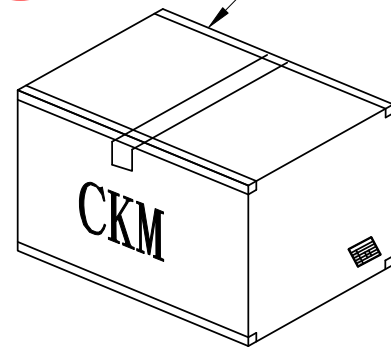


TRAY TOP COVER

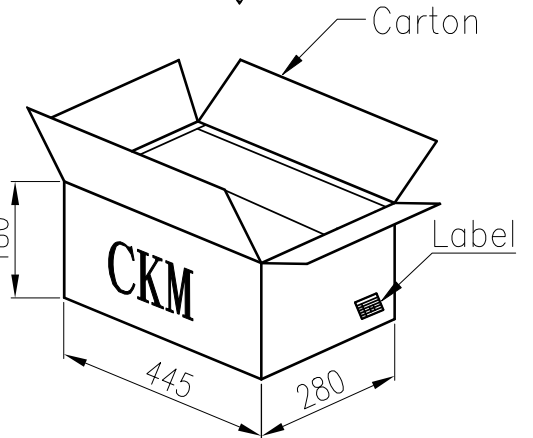


PE MEMBRANE

STACK 8 TRAYS TOGETHER



Carton



Carton

Label

POS	PCS/TRAY	PCS/CARTON	N/W(kg)	G/W(kg)
2	300	2400	4.27	6.27
4	240	1920	4.67	6.67
6	180	1440	5.01	7.01
8	144	1152	4.64	6.64
10	120	960	5.51	7.51
12	108	864	5.68	7.68



Stick by the label

TOLERANCE		PART NO. 5701WV-XP-XX		朝貴電子股份有限公司 CKM ELECTRONICS CO., LTD.	
X.	X.XXX ±0.10	DRAWING NO. C-5701WV-XP-XX		TITLE. 5.7mm PITCH VERTICAL DIP TYPE CONNECTOR	
X.X ±0.30		APPROVED BY Ivan.Su 2021.11.11		CHECKED BY Sun.Lee 2021.11.11	DRAWN BY GuoXiang.Jiang 2021.11.11
X.XX ±0.20	Angular ±2°	DWG TYPE. Customer Drawing		PAGE 3 OF 3	REV. C
UNIT: mm		SCALE 2 : 1			

C	EC-21111024	UPDATE	GuoXiang.Jiang	2021.11.11
B	EC-20090686	ADD 02P PCB LAYOUT	GuoXiang.Jiang	2020.09.04
REV.	ECN NO	REVISION RECORD	DRAW	DATE