

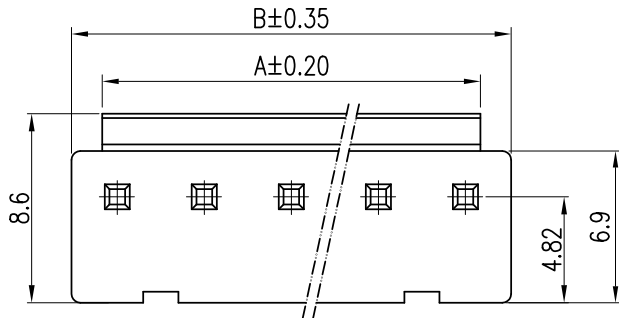
1 RoHS



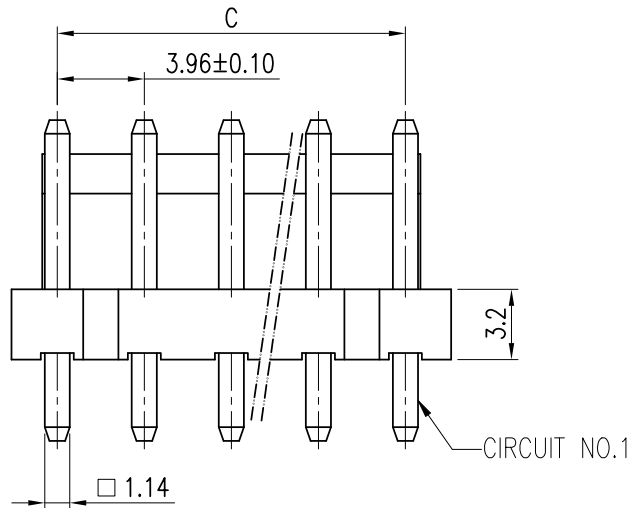
TUV



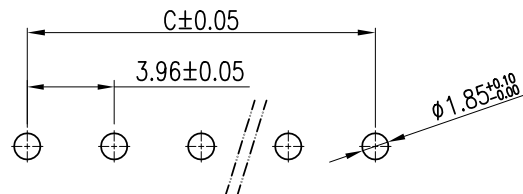
A



B



C



RECOMMENDED PCB LAYOUT

(PCB THK=1.6mm)
TOLERANCES ARE NON-CUMULATIVE:±0.05

D

D	EC-20100038	ADD 2.1/2.5/3.0mm SOLDER TAIL	GuoXiang.Jiang	2020.10.26
C		ADD DIMENSIONAL	GuoXiang.Jiang	2017.05.16
REV.	ECN NO	REVISION RECORD	DRAW	DATE

1

2

3

4

5

6

1. MATERIAL SPECIFICATION:

- 1.1 INSULATOR: NYLON 66/6T UL 94V-0
- 1.2 CONTACT: SQ 1.14mm COPPER ALLOY

2. FINISH: TIN/GOLD PLATED

3. BILL OF PART NO:

3962WV-XP-X X-XX-XX-XXX-HF

NO. OF CIRCUITS: 2~13

FINISH

- A=MATTE TIN PLATED
- B=BRIGHT TIN PLATED
- C=GOLD FLASH PLATED

COLOR: BLANK(NATURAL) OR A~G

VOID CIRCUIT: BLANK(STANDARD)
OR 1~3 ALPHANUMERIC DIGITS *PAGE2

SOLDER PIN LENGTH: BLANK(STANDARD)
D OR 2.1~3.0

MATERIAL:BLANK=NYLON 66
6T=NYLON 6T

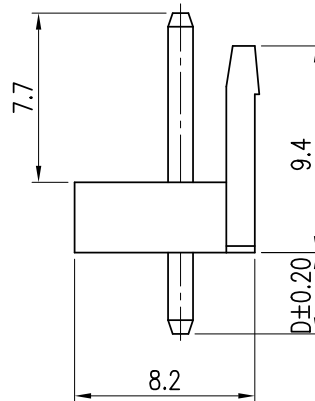
4. FOR COLOR, AVAILABILITY, DELIVERY & MOQ, CONTACT CKM

5. DIMENSIONAL

POS	A	B	C
2	5.30	7.92	3.96
3	9.26	11.88	7.92
4	13.22	15.84	11.88
5	17.18	19.80	15.84
6	21.14	23.76	19.80
7	25.10	27.72	23.76
8	29.06	31.68	27.72
9	33.02	35.64	31.68
10	36.98	39.60	35.64
11	40.94	43.56	39.60
12	44.90	47.52	43.56
13	48.86	51.48	47.52

COLOR CODE	
BLANK	NATURAL
A	BLACK
B	BROWN
C	RED
D	ORANGE
E	YELLOW
F	GREEN(W/HALOGEN)
G	BLUE

SOLDER PIN LENGTH DIM D	
CODE	LENGTH
BLANK	3.7mm
2.1	2.1mm
2.5	2.5mm
3.0	3.0mm



TOLERANCE		PART NO.		朝貴電子股份有限公司	
X. X.X ±0.40	X.XXX ±0.10	3962WV-XP-XX-XX-XX-XXX-HF		CKM ELECTRONICS CO., LTD.	
X.XX ±0.25	Angular ±2°	DRAWING NO.		DESCRIPTION	
		396202XX-XX		3.96mm PITCH VERTICAL DIP TYPE CONNECTOR	
UNIT:	mm	APPROVED BY	CHECKED BY	DRAWN BY	PAGE
DWG TYPE.	Customer Drawing	Angus.Chen	Sun.Lee	GuoXiang.Jiang	1 OF 3
		2020.10.26	2020.10.26	2020.10.26	SCALE
					3 : 1
					REV. D

A

B

C

D

1 RoHS



TUV



2

3

4

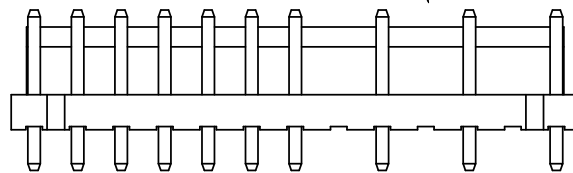
5

6

VOID CIRCUIT CODE LIST

A	2,4	D2	2,6	H2	2,3,6,7	M8	9,10,11,12	U	2,4,6
A1	2,4,7	D3	2,12	H3	2,3,5,7	M9	11,12	U1	2,4,6,8
A2	2,4,5,7,9,10,12	D6	2,9	H4	2,5,8	M10	5,6,7,8	U2	2,4,6,10,12
A4	2,5,6,7,8,11	D7	2,10	H5	2,9,10	M12	5,7	U3	2,4,6,8,10
A5	2,4,6,7	D9	2,3,4,5,7	H6	2,6,11	N1	11	U4	2,4,6,8,9
A7	2,4,7,9	E1	1,2,11	H7	8,11	P	6	U5	2,4,6,8,10,12
A8	2,4,5,6,8	E2	1,2,4	J	2,4,5	P1	6,7	U6	2,4,6,10
B	2,3,5	E4	1,8	J1	2,4,5,7	P2	12	U7	4,6,8,10
B1	2,3,5,6	E5	1,4	J3	9,11	P3	6,7,10	U8	2,8,9,10
B2	2,3,5,6,7	E10	1,2,3,11	J4	4,8	P4	6,7,8,9	V	3,5
B3	2,3,13	E11	1,4,7,10	J5	4,9,10	P8	6,11	V4	3,4,5
B4	2,3,5,6,8	F	3	J7	4,5,6	P9	6,9	V5	3,5,7,10
B5	2,3,5,6,8,9,11	F1	3,9	J8	2,4,5,6,7	Q	7	V6	3,5,7
B6	2,3,4,6	F2	9	J9	10,11	Q1	7,8	V7	3,4,5,10,11
B7	2,3,5,6,8,9,10	F3	3,6,9,12	J10	4,5,7,8,10,11	Q2	3,7,8	V8	3,5,6,9
B8	2,3,5,6,8,9,11,12	F5	6,7,8	K1	1,3,5	Q7	3,8	V9	3,6,8,10
B9	2,3,6	F7	3,6	K2	1,11	R	3,4	W4	1,7,11
B10	2,5,7	F12	3,9,12	K3	1,3,4,6,7	R1	3,4,7,9	W5	1,5,6
B11	2,3,5,6,8,9	F13	3,6,9	K4	1,7	R2	3,4,7	W6	1,3,5,7,9,11
C	2,3,4	F15	3,7,8,9,11	K6	1,8,9	R3	3,4,7,8	W7	2,4,6,7,10
C1	2,3,4,5	G	4	K7	1,3	R4	3,4,5,6	W9	1,3,5,6
C2	2,3,4,5,6	G1	4,5,8	K8	1,3,5,7	R5	1,3,4,5,7	Y	2,4,5,6
C3	2,3,4,5,6,7,8,9	G2	4,8,9	K9	1,3,4	R6	3,4,6,7	Y1	5,6
C4	7,8,9,10,11,12	G3	4,5	K10	1,4,5,8,9	R7	3,4,5,7,8,9	Y5	5,9
C5	2,3,4,6,7,8	G5	4,5,7,9,11	M	5	R8	3,4,5,6,7,8,11,12	Y6	7,12
C6	3,4,5,6	G6	4,6,8,11	M1	10	R9	3,4,7,8,9,10,11,12	Y8	8,9
C8	3,4,6	G7	4,6	M3	5,10	S	2,5	Y9	7,10,12
C9	7,9	G8	4,6,8	M4	5,8,9	S1	2,5,7,9	Y10	5,8,11
C10	7,8,9	G10	4,5,6,7	M5	10,12	S2	2,7	Y13	5,6,7
D	2	H	2,3	M6	9,10	S8	5,6,8,9,11,12	Z	8
D1	2,8	H1	2,3,7	M7	5,7,8	S9	3,4,5,6,7,8,9	Z7	8,9,10
								Z8	8,10

VOID 2, 4, 6



CIRCUIT NO.1

EXAMPLE:

3962WV-13P-XX-XX-U-HF
VOID CIRCUIT: No. 2, 4 & 6



TOLERANCE		PART NO.		朝貴電子股份有限公司 CKM ELECTRONICS CO., LTD.	
X. XXX ±0.10		3962WV-XP-XX-XX-XX-XXX-HF		DESCRIPTION 3.96mm PITCH VERTICAL DIP TYPE CONNECTOR	
X.X ±0.40		DRAWING NO. 396202XX-XX			
X.XX ±0.25	Angular ±2°	APPROVED BY Angus.Chen 2020.10.26		CHECKED BY Sun.Lee 2020.10.26	DRAWN BY GuoXiang.Jiang 2020.10.26
UNIT: mm		PAGE 2 OF 3		REV. D	
DWG TYPE. Customer Drawing		SCALE 3 : 1			

D	EC-20100038	ADD 2.1/2.5/3.0mm SOLDER TAIL	GuoXiang.Jiang	2020.10.26
C		ADD DIMENSIONAL	GuoXiang.Jiang	2017.05.16
REV.	ECN NO	REVISION RECORD	DRAW	DATE

1

2

3

4

5

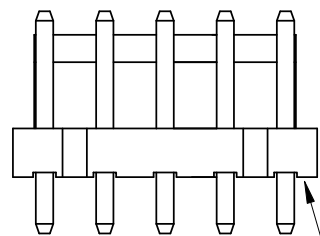
6

QMI-P12-05-01

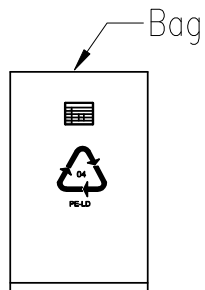
1 RoHS



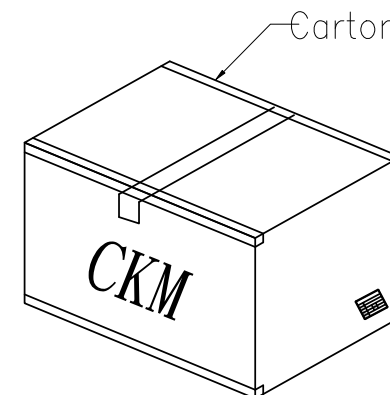
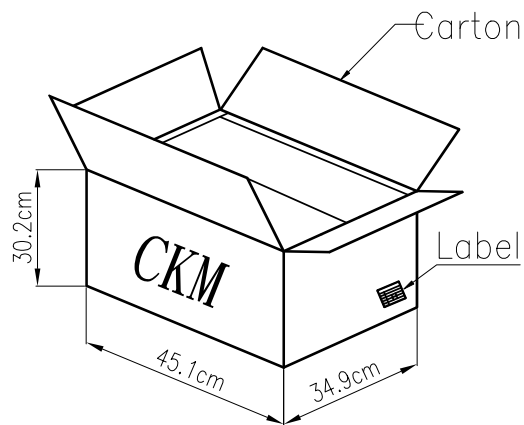
2 TUV



Products



Bag



Stick by the label



POS	Bag	Carton	Weight	
	Pcs/Bag	Pcs/Carton	N/W(kg)	G/W(kg)
2	1000	38000	21.166	22.166
3	1000	32000	26.688	27.688
4	1000	18000	20.34	21.34
5	1000	15000	21.075	22.075
6	1000	12000	20.448	21.448
7	1000	10000	19.96	20.96
8	1000	8000	18.216	19.216
9	1000	7000	18.025	19.025
10	1000	6000	17.37	18.37
11	1000	6000	19.29	20.29
12	1000	5000	17.675	18.675
13	1000	4000	15.42	16.42

D	EC-20100038	ADD 2.1/2.5/3.0mm SOLDER TAIL	GuoXiang.Jiang	2020.10.26
C		ADD DIMENSIONAL	GuoXiang.Jiang	2017.05.16
REV.	ECN NO	REVISION RECORD	DRAW	DATE

TOLERANCE X. X.XXX ±0.10 X.X ±0.40 X.XX ±0.25 Angular ±2°		PART NO. 3962WV-XP-XX-XX-XX-XXX-HF		朝貴電子股份有限公司 CKM ELECTRONICS CO., LTD.	
UNIT: mm DWG TYPE. Customer Drawing		DRAWING NO. 396202XX-XX		DESCRIPTION 3.96mm PITCH VERTICAL DIP TYPE CONNECTOR	
APPROVED BY Angus.Chen 2020.10.26		CHECKED BY Sun.Lee 2020.10.26		DRAWN BY GuoXiang.Jiang 2020.10.26	
				PAGE 3 OF 3	REV. D
				SCALE 3 : 1	