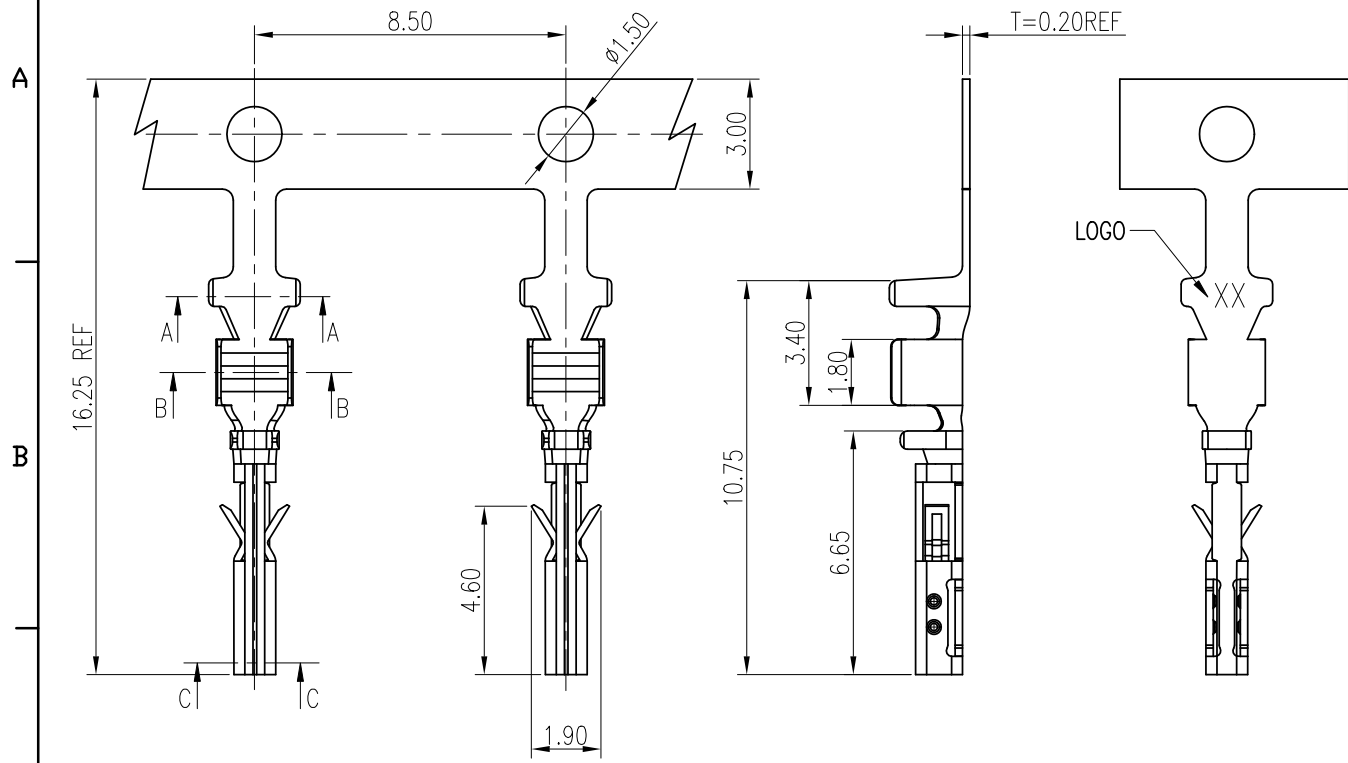


RoHS

CUST INFORMATION.

PART NO.	DRAWING NO.	REV.
----------	-------------	------



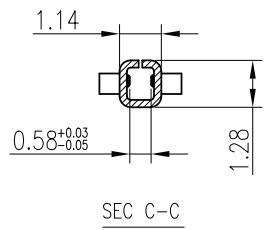
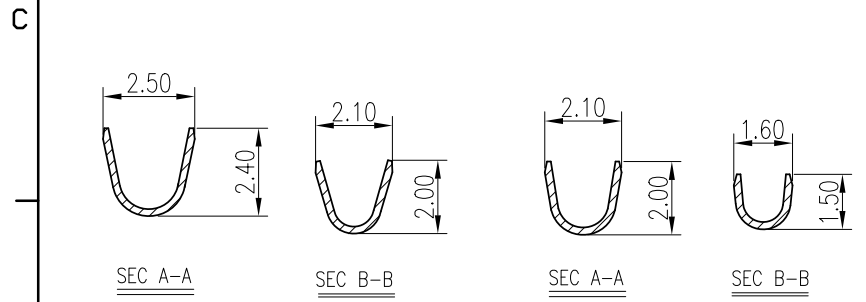
- NOTES:
- MATERIAL: 0.2mm THICK COPPER ALLOY
 - PLATING: BRIGHT TIN PLATED OVER NICKEL. OR SELECT GOLD IN CONTACT AREA, BRIGHT TIN ON CRIMP AREA, NICKEL OVERALL.
 - APPLICABLE WIRES: AWG #30~#26 & AWG #24~#20
 - INSULATION O.D.: 1.27~1.85mm
 - RoHS COMPLIANT.
 - BILL OF PART NO:

3001TXX-XX

CRIMPING TYPE: 0=STANDARD, 2=HIGH GRIP TYPE
 MATERIAL: P=PHOSPHOR BRONZE, H=HIGH CONDUCTIVITY(HC LOGO)

FINISH: B1=BRIGHT TIN PLATED OVER NICKEL, C=GOLD FLASH PLATED(CONTACT AREA), C4=15u" GOLD PLATED(CONTACT AREA), C7=30u" GOLD PLATED(CONTACT AREA)

- TERMINAL Q'ty/REEL: 10,000PCS.
- FOR AVAILABILITY, DELIVERY & MOQ, CONTACT CKM



APPLICABLE WIRES: AWG #20~#24 APPLICABLE WIRES: AWG #26~#30

TOLERANCE		PART NO.		朝貴電子股份有限公司 CKM ELECTRONICS CO., LTD.	
X. ±0.50	X.XXX ±0.15	3001TXP-XX, 3001TXH-XX			
X.X ±0.35		DRAWING NO.		TITLE: TERMINAL FOR MICRO-FIT CONNECTOR	
X.XX ±0.25	Angular ±5°	C-3001TXP-XX, 3001TXH-XX		3.0MM PITCH	
UNIT: mm DWG TYPE: Customer Drawing	APPROVED BY	CHECKED BY	DRAWN BY	PAGE	REV.
	Ivan.Su	李德亮	Rock	10F2	C
	2022/12/02	2022/12/02	2022/12/02	SCALE	
				5 : 1	

C	EC-22120114	UPGRADE DRAWING	Rock	2022.12.02
B		UPGRADE DRAWING	Rock	2022.04.08
REV.	ECN NO	REVISION RECORD	DRAW	DATE

RoHS

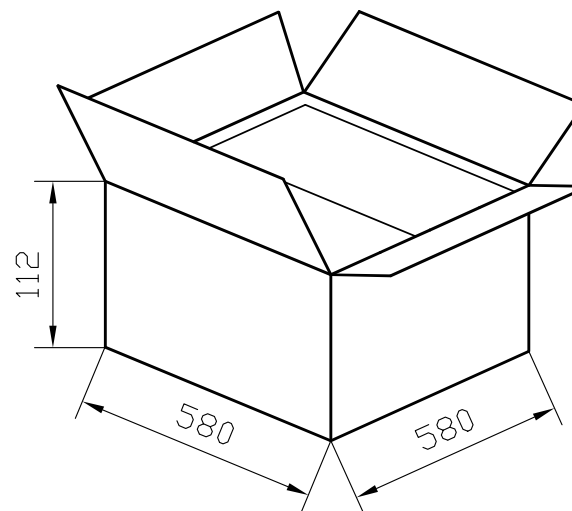
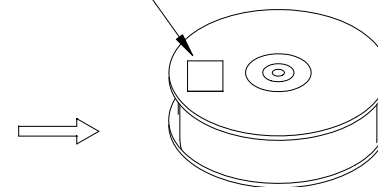
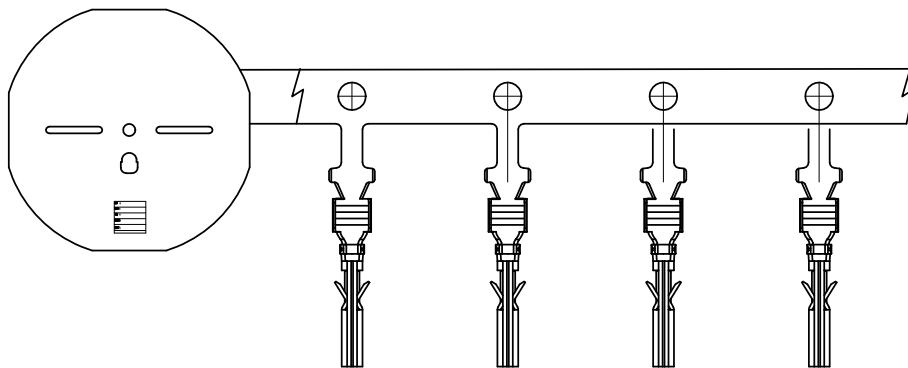
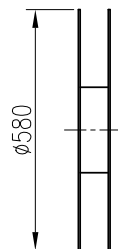
CUST INFORMATION.

PART NO.	DRAWING NO.	REV.
----------	-------------	------

LABEL 1=Q'TY : XX PCS

A

A



B

B

C

C

CKM
2022.12.14
研发部

TRAY/PCS	CARTON/PCS
10 KPCS	30 KPCS

TOLERANCE X. ± 0.50 X.XXX ± 0.15 X.X ± 0.35 X.XX ± 0.25 Angular $\pm 5^\circ$		PART NO. 3001TXP-XX, 3001TXH-XX		朝貴電子股份有限公司 CKM ELECTRONICS CO., LTD.	
		DRAWING NO. C-3001TXP-XX, 3001TXH-XX		TITLE. TERMINAL FOR MICRO-FIT CONNECTOR 3.0MM PITCH	
UNIT: mm		APPROVED BY Ivan.Su 2022/12/02		CHECKED BY 李德亮 2022/12/02	
DWG TYPE. Customer Drawing		DRAWN BY Rock 2022/12/02		PAGE 20F2 SCALE 5 : 1	
				REV. C	

D

D

C	EC-22120114	UPGRADE DRAWING	Rock	2022.12.02
B		UPGRADE DRAWING	Rock	2022.04.08
REV.	ECN NO	REVISION RECORD	DRAW	DATE