

RoHS

CUST INFORMATION.

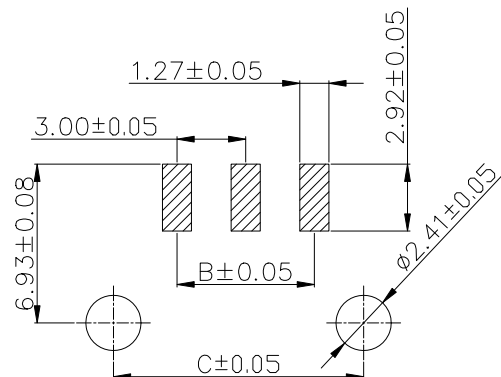
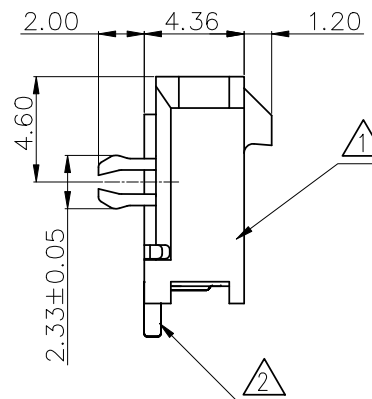
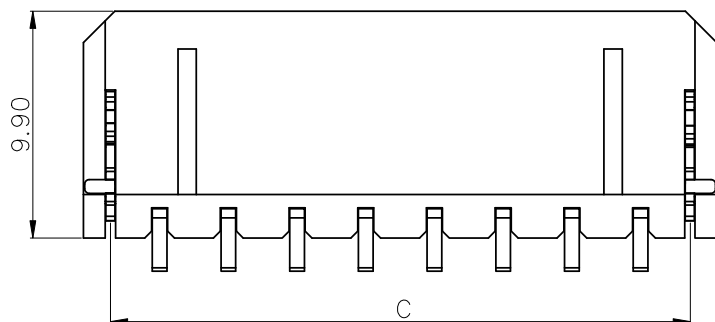
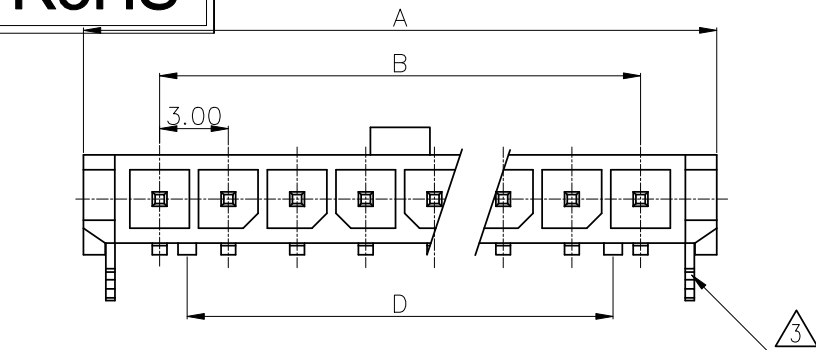
PART NO. NA	DRAWING NO. NA	REV. NA
-----------------------	--------------------------	-------------------

NOTES:

- Material:
HSG : LCP , BLACK
CONTACT : BRASS
PEG : BRASS
- Plated:
CONTACT : MATTE Tin 2.54um [100u"] MIN. ALL OVER.
Ni 1.27um [50u"] MIN. UNDER PLATED ALL OVER.
PEG : MATTE Tin 2.54um [100u"] MIN. ALL OVER.
Ni 1.27um [50u"] MIN. UNDER PLATED ALL OVER.

DIMENSIONAL & ORDER INFORMATION:

30010210-12	12	30.60	37.3	33.0	39.65
30010210-11	11	27.60	34.3	30.0	36.65
30010210-10	10	24.60	31.3	27.0	33.65
30010210-09	9	21.60	28.3	24.0	30.65
30010210-08	8	18.60	25.3	21.0	27.65
30010210-07	7	15.60	22.3	18.0	24.65
30010210-06	6	12.60	19.3	15.0	21.65
30010210-05	5	9.60	16.3	12.0	18.65
30010210-04	4	6.60	13.3	9.0	15.65
30010210-03	3	3.60	10.3	6.0	12.65
30010210-02	2		7.3	3.0	9.65
PART NO.	POS	DIMENSION			
		D	C	B	A



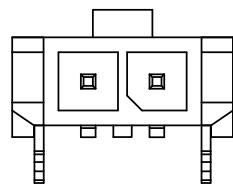
B		ADD PACKAGE	Alvin Cheng	2017.1.9
A		NEW RELEASE	Devon	2013.11.25
REV.	ECN NO	REVISION RECORD	DRAW	DATE

TOLERANCE		PART NO. 30010210-XX		朝貴電子股份有限公司 CKM ELECTRONICS CO., LTD.	
X. X.X ±0.30	X.XXX ±0.10	DRAWING NO. C-30010210-XX			
X.XX ±0.20	Angular ±2°	APPROVED BY ANGUS		CHECKED BY ROCK	DRAWN BY Alvin Cheng
UNIT: mm		DWG TYPE. Customer Drawing		SCALE 2 : 1	REV. B

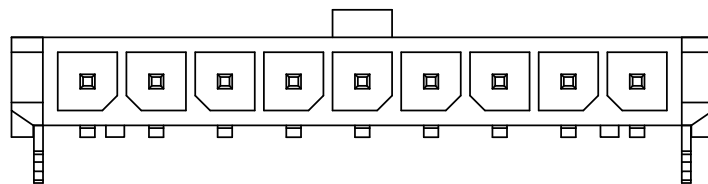
RoHS

CUST INFORMATION.

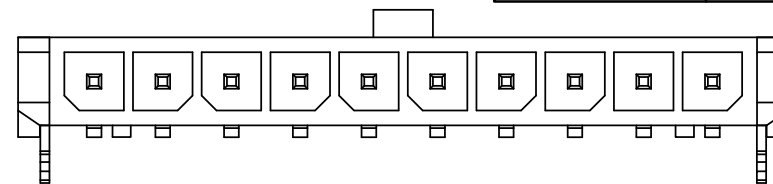
PART NO. NA	DRAWING NO. NA	REV. NA
----------------	-------------------	------------



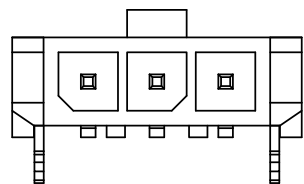
2 POS



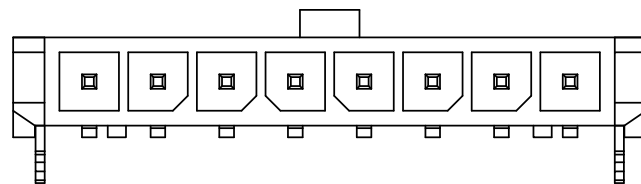
9 POS



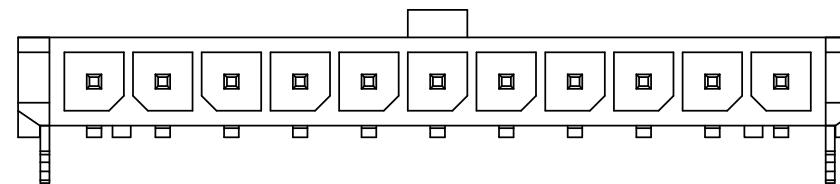
10 POS



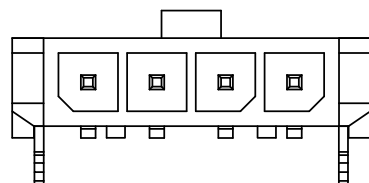
3 POS



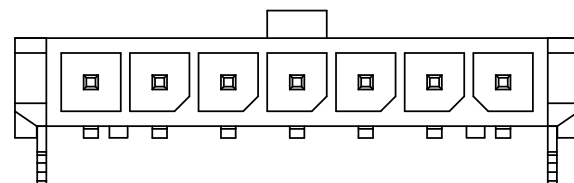
8 POS



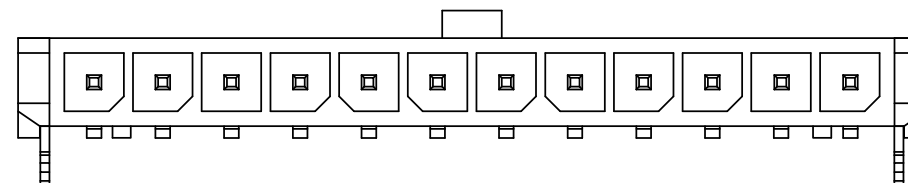
11 POS



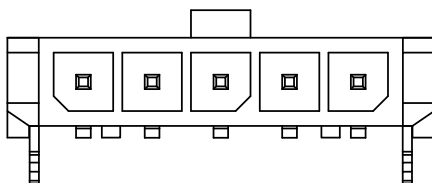
4 POS



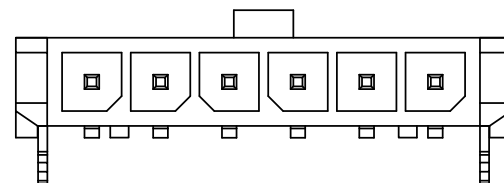
7 POS



12 POS



5 POS



6 POS



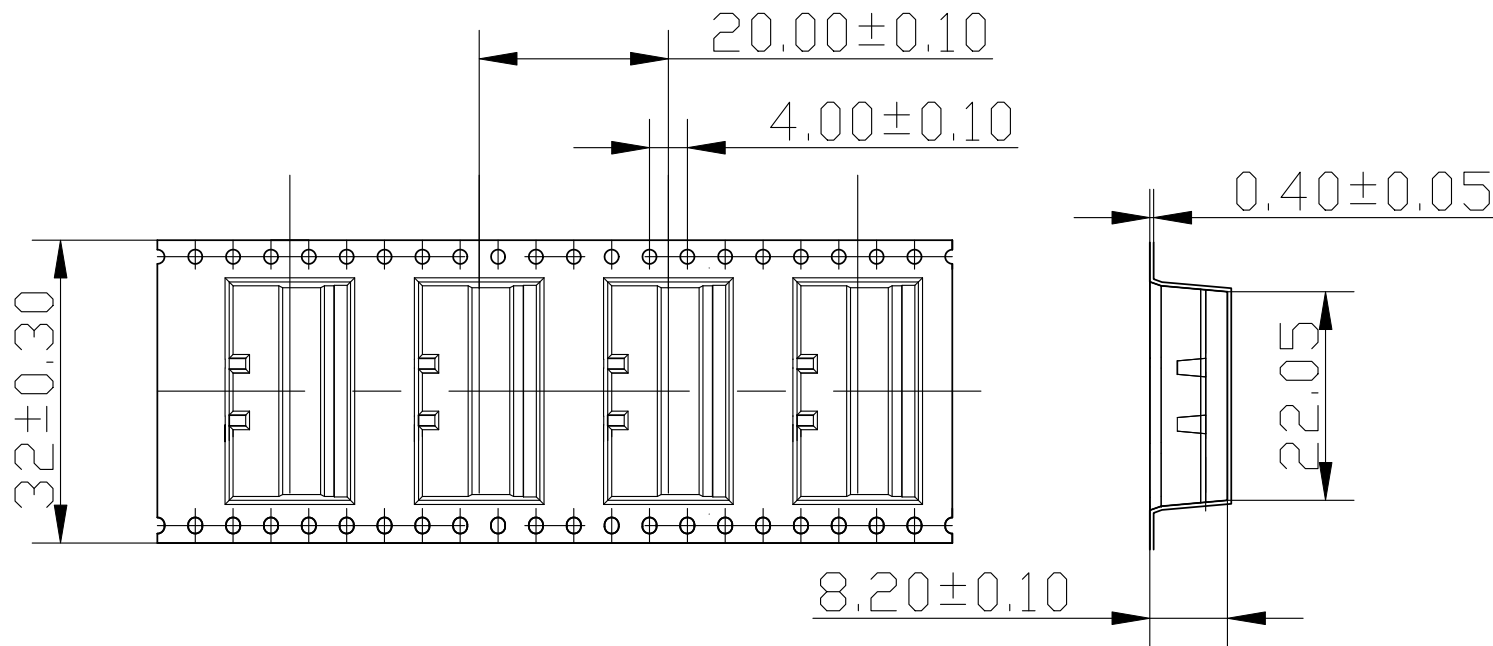
TOLERANCE		PART NO. 30010210-XX		朝貴電子股份有限公司 CKM ELECTRONICS CO., LTD.	
X. X.X ±0.30 X.XX ±0.20	X.XXX ±0.10 Angular ±2°	DRAWING NO. C-30010210-XX			
UNIT: mm		APPROVED BY ANGUS 2017.1.10	CHECKED BY ROCK 2017.1.10	DRAWN BY Alvin Cheng 2017.1.9	PAGE 20F3 SCALE 2 : 1
DWG TYPE. Customer Drawing				REV. B	

B		ADD PACKAGE	Alvin Cheng	2017.1.9
A		NEW RELEASE	Devon	2013.11.25
REV.	ECN NO	REVISION RECORD	DRAW	DATE

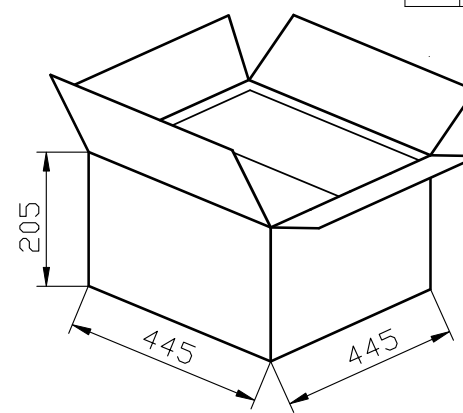
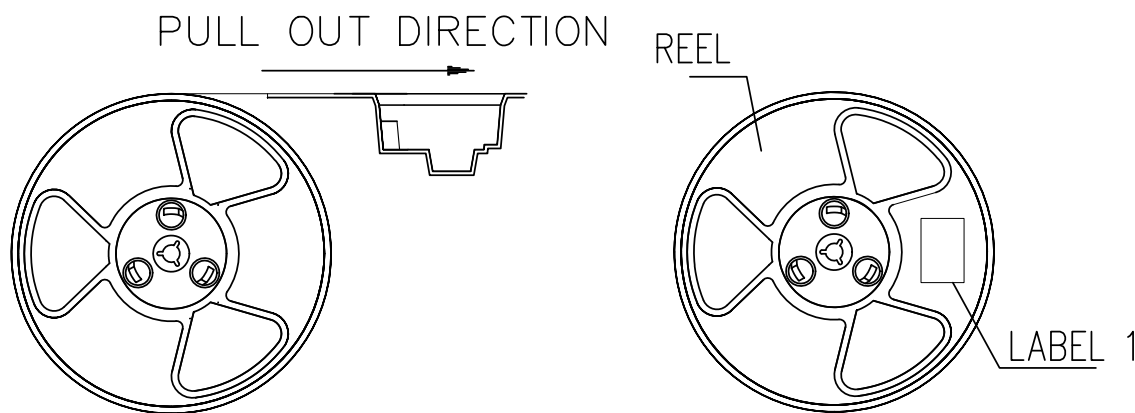
RoHS

CUST INFORMATION.

PART NO. NA	DRAWING NO. NA	REV. NA
----------------	-------------------	------------



W	POS	PCS/TRAY	PCS/CARTON	N.W/KG	G.W/KG
32	02	2000		1.42	3.62
	03			1.82	4.02
	04			2.14	4.34
44	05	400	1600	2.17	4.30
	06			2.65	4.75
	07			3.00	5.10
	08			3.05	5.05
56	09	1200		2.53	4.43
	10			2.78	4.68
	11			3.02	4.92
	12			3.25	5.15



CKM
2017.02.08
研發部

TOLERANCE		PART NO.		朝貴電子股份有限公司 CKM ELECTRONICS CO., LTD.	
X.	X.XXX ±0.10	30010210-XX			
X.X ±0.30		DRAWING NO.		TITLE: MICRO FIT 3.0MM PITCH WAFER R/A SMT TYPE	
X.XX ±0.20	Angular ±2°	C-30010210-XX			
UNIT: mm		APPROVED BY	CHECKED BY	DRAWN BY	PAGE
DWG TYPE.		ANGUS	ROCK	Alvin Cheng	30F3
Customer Drawing		2017.1.10	2017.1.10	2017.1.9	SCALE
					2 : 1
					REV. B

B		ADD PACKAGE	Alvin Cheng	2017.1.9
A		NEW RELEASE	Devon	2013.11.25
REV.	ECN NO	REVISION RECORD	DRAW	DATE