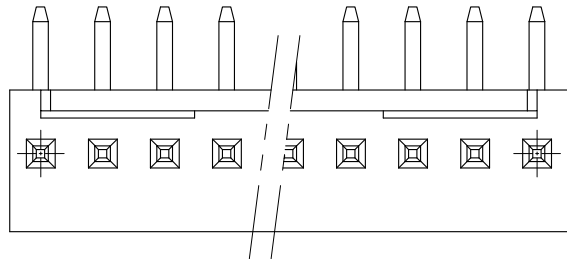


RoHS

HF

CKM  
2023.06.01  
研发部



- NOTE:
- MATERIAL SPECIFICATION:
    - INSULATOR: NYLON 66
    - CONTACT: SQ. 0.64mm COPPER ALLOY
  - FINISH: TIN PLATED
  - BILL OF PART NO:

2541WR-XP-XX-XX-XXX-XX

No OF CIRCUITS: 2~20

FINISH \_\_\_\_\_

B=BRIGHT TIN PLATED

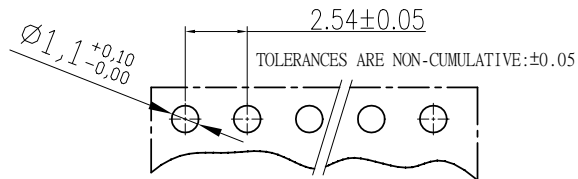
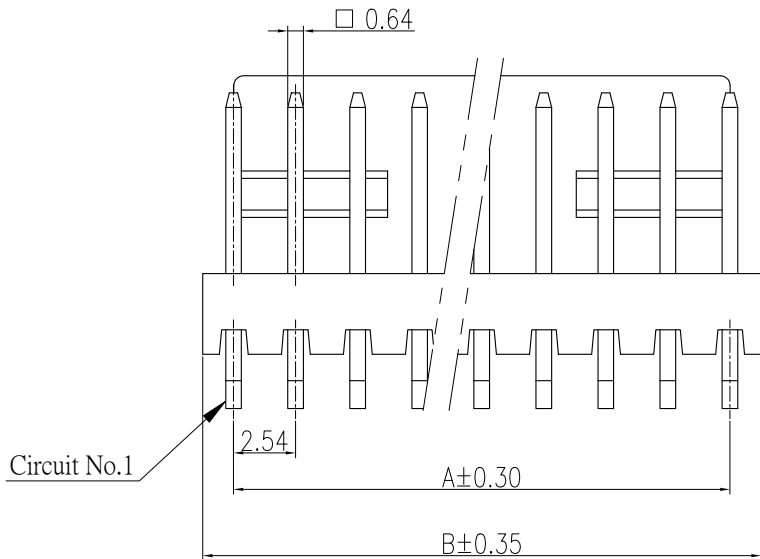
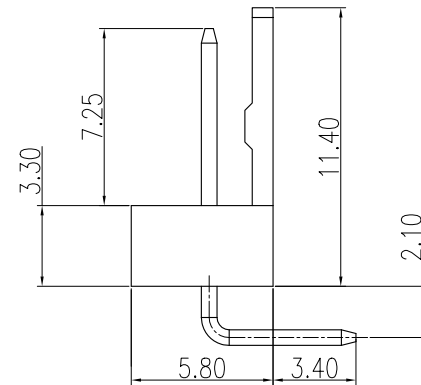
COLOR: \_\_\_\_\_

BLANK=NATURAL  
OR M=MILKY YELLOW

BLANK OR HF(HALOGEN FREE)  
VOID CIRCUITS: BLANK(STANDARD)  
OR 1~3 ALPHANUMERIC DIGITS

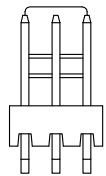
BLANK=W/ "CKM" LOGO  
NS=W/O LOGO

- FOR COLOR, AVAILABILITY, DELIVERY & MOQ, CONTACT CKM
- DIMENSIONAL & ORDERING INFORMATION

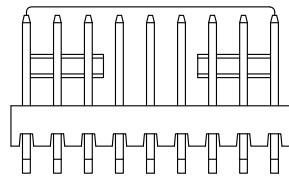


RECOMMENDED PCB LAYOUT  
(PCB THK=1.0~1.6)

| POS | A     | B     | POS | A     | B     |
|-----|-------|-------|-----|-------|-------|
| 2   | 2.54  | 5.08  | 12  | 27.94 | 30.48 |
| 3   | 5.08  | 7.62  | 13  | 30.48 | 33.02 |
| 4   | 7.62  | 10.16 | 14  | 33.02 | 35.56 |
| 5   | 10.16 | 12.70 | 15  | 35.56 | 38.10 |
| 6   | 12.70 | 15.24 | 16  | 38.10 | 40.64 |
| 7   | 15.24 | 17.78 | 17  | 40.64 | 43.18 |
| 8   | 17.78 | 20.32 | 18  | 43.18 | 45.72 |
| 9   | 20.32 | 22.86 | 19  | 45.72 | 48.26 |
| 10  | 22.86 | 25.40 | 20  | 48.26 | 50.80 |
| 11  | 25.40 | 27.94 |     |       |       |



FOR 2-6 PIN



FOR 7-20 PIN

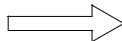
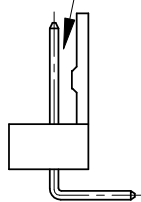
|                  |             |                        |                     |   |             |
|------------------|-------------|------------------------|---------------------|---|-------------|
| <b>TOLERANCE</b> |             | <b>PART NO.</b>        |                     | 朝貴電子股份有限公司<br>CKM ELECTRONICS CO., LTD. |             |
| X. X.XX ±0.30    | X.XXX ±0.10 | 2541WR-XP-XX-XX-XXX-XX |                     |   |             |
| X.XX ±0.20       | Angular ±2° | <b>DRAWING NO.</b>     |                     | <b>DESCRIPTION</b>                      |             |
|                  |             | UNIT: mm               |                     | C-25410202,0204-XX                      |             |
| <b>DWG TYPE.</b> |             | <b>APPROVED BY</b>     | <b>CHECKED BY</b>   | <b>DRAWN BY</b>                         | <b>PAGE</b> |
| Customer Drawing |             | Angus<br>2023.05.29    | Lance<br>2023.05.29 | Perlman<br>2023.05.29                   | 1 OF 2      |
|                  |             |                        |                     | <b>SCALE</b>                            | <b>REV.</b> |
|                  |             |                        |                     | 1 : 1                                   | E           |

| REV. | ECN NO      | REVISION RECORD | DRAW       | DATE       |
|------|-------------|-----------------|------------|------------|
| E    | EC-23050133 | UPDATE DRAWING  | Perlman    | 2023.05.29 |
| D    | EC-22041178 | UPDATE DRAWING  | Angel.tong | 2022.04.01 |
| C    |             | UPDATE DRAWING  | TZQ        | 2017.01.19 |

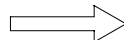
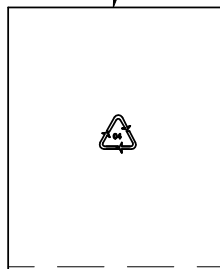
RoHS



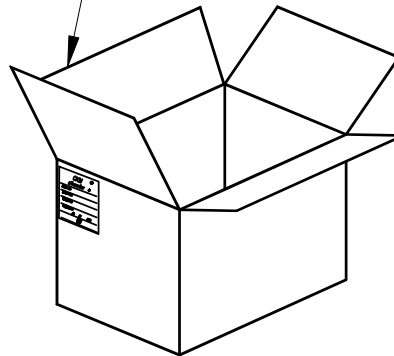
PRODUCT



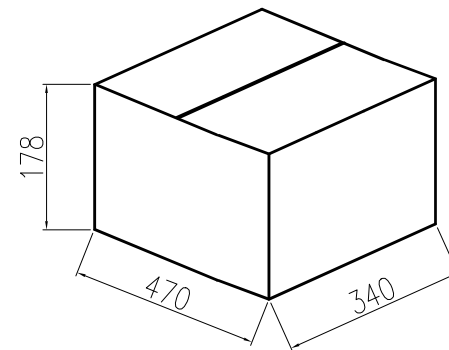
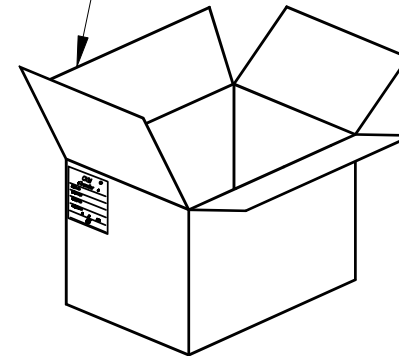
PE BAG



CARTON



CARTON



| POS | PCS/PE BAG | PCS/CARTON |
|-----|------------|------------|
| 2   | 1000       | 18000      |
| 3   | 1000       | 12000      |
| 4   | 1000       | 8000       |
| 5   | 1000       | 8000       |
| 6   | 500        | 6000       |
| 7   | 500        | 5000       |
| 8   | 500        | 5000       |
| 9   | 500        | 4000       |
| 10  | 500        | 4000       |
| 11  | 250        | 4000       |
| 12  | 250        | 3000       |
| 13  | 250        | 3000       |
| 14  | 250        | 3000       |
| 15  | 250        | 2500       |
| 16  | 250        | 2500       |
| 17  | 250        | 2500       |
| 18  | 200        | 2000       |
| 19  | 200        | 2000       |
| 20  | 200        | 2000       |



|      |             |                 |            |            |
|------|-------------|-----------------|------------|------------|
| E    | EC-23050133 | UPDATE DRAWING  | Perlman    | 2023.05.29 |
| D    | EC-22041178 | UPDATE DRAWING  | Angel.tong | 2022.04.01 |
| C    |             | UPDATE DRAWING  | TZQ        | 2017.01.19 |
| REV. | ECN NO      | REVISION RECORD | DRAW       | DATE       |

| TOLERANCE                     |             | PART NO.               | 朝貴電子股份有限公司<br>CKM ELECTRONICS CO., LTD.           |            |           |
|-------------------------------|-------------|------------------------|---|------------|-----------|
| X.                            | X.XXX ±0.10 | 2541WR-XP-XX-XX-XXX-XX | DESCRIPTION<br>2.54 Pitch Wire to Board Connector |            |           |
| X.X                           | ±0.30       |                        |   |            |           |
| X.XX                          | ±0.20       | Angular ±2°            | DRAWING NO.<br>C-25410202,0204-XX                 |            |           |
|                               | UNIT:       | APPROVED BY            | CHECKED BY  | DRAWN BY   | PAGE      |
|                               | mm          | Angus                  | Lance   | Perlman    | 2 OF 2    |
| DWG TYPE.<br>Customer Drawing |             | 2023.05.29             | 2023.05.29  | 2023.05.29 | SCALE     |
|                               |             |                        |   |            | 1 : 1     |
|                               |             |                        |   |            | REV.<br>E |