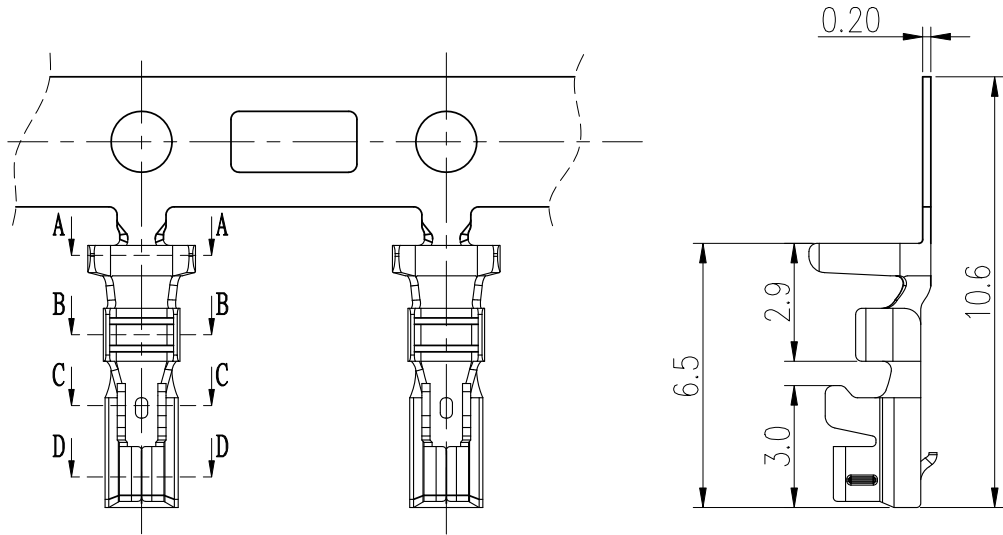


RoHS

HF

CUST INFORMATION.

PART NO.	DRAWING NO.	REV.



NOTE:

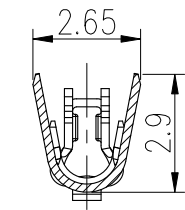
- 1.MATERIAL: 0.20mm THICK BRASS&PHOSPHOR BRONZE
- 2.PLATED: TIN PLATED
- 3.APPLICABLE WIRES: AWG#22-#26
- 4.INSULATION O.D.:1.3-1.7mm
- 5.BILL OF PART NO:
2514TOX-XX

MATERIAL:
B:BRASS
P:PHOSPHOR BRONZE

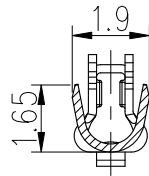
PLATING TYPE:
1=PRE-TIN PLATED
2=POST-TIN PLATED

FINISH:
A=MATTE TIN PLATED
B=BRIGHT TIN PLATED
C=GOLD PLATED

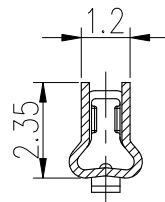
6.PACKAGE: REEL



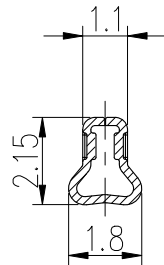
SECTION A-A



SECTION B-B



SECTION C-C



SECTION D-D



TOLERANCE		PART NO.		朝貴電子股份有限公司 CKM ELECTRONICS CO., LTD.		
X.	X.XXX ±0.10	2514TOX-XX				
X.X	±0.30	DRAWING NO.		TITLE: 2.5mm PITCH CRIMP TERMINAL		
X.XX	±0.20	C-251403XXHF				
UNIT: mm		APPROVED BY	CHECKED BY	DRAWN BY	PAGE	REV.
		2016.12.29	2016.12.29	2016.12.29	10F2	
DWG TYPE.		Customer Drawing		SCALE		C
				4 : 1		

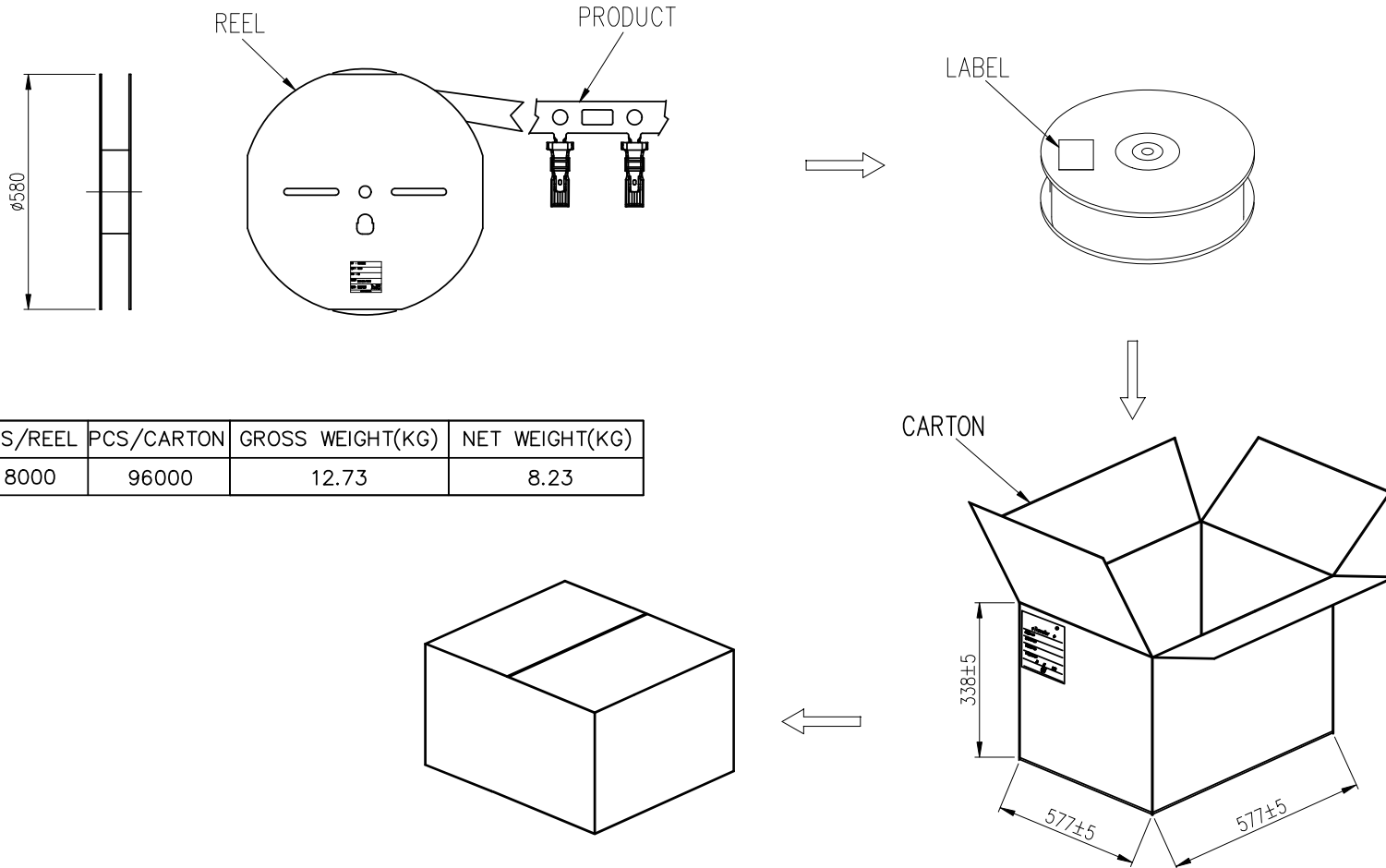
C	ADD PACKAGE	Li Song	2016.12.29
B	UPDATE DRAWING	Zisen Wei	2015.11.06
REV.	ECN NO	REVISION RECORD	DRAW DATE

RoHS

HF

CUST INFORMATION.

PART NO.	DRAWING NO.	REV.
----------	-------------	------



PCS/REEL	PCS/CARTON	GROSS WEIGHT(KG)	NET WEIGHT(KG)
8000	96000	12.73	8.23



TOLERANCE X. X.XXX ±0.10 X.X ±0.30 X.XX ±0.20 Angular ±2°		PART NO. 2514TOX-XX		朝貴電子股份有限公司 CKM ELECTRONICS CO., LTD.	
		DRAWING NO. C-251403XXHF		TITLE. 2.5mm PITCH CRIMP TERMINAL	
DWG TYPE. Customer Drawing		APPROVED BY Angus Chen 2016.12.29	CHECKED BY Baohua Lee 2016.12.29	DRAWN BY Li Song 2016.12.29	PAGE 20F2 SCALE 4 : 1
				REV. C	

C		ADD PACKAGE	Li Song	2016.12.29
B		UPDATE DRAWING	Zisen Wei	2015.11.06
REV.	ECN NO	REVISION RECORD	DRAW	DATE