

1 RoHS

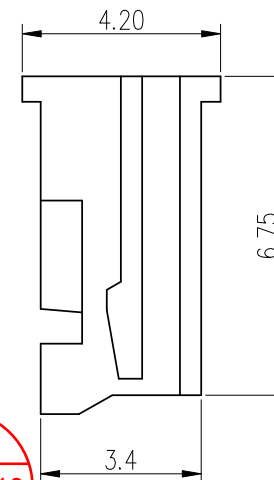
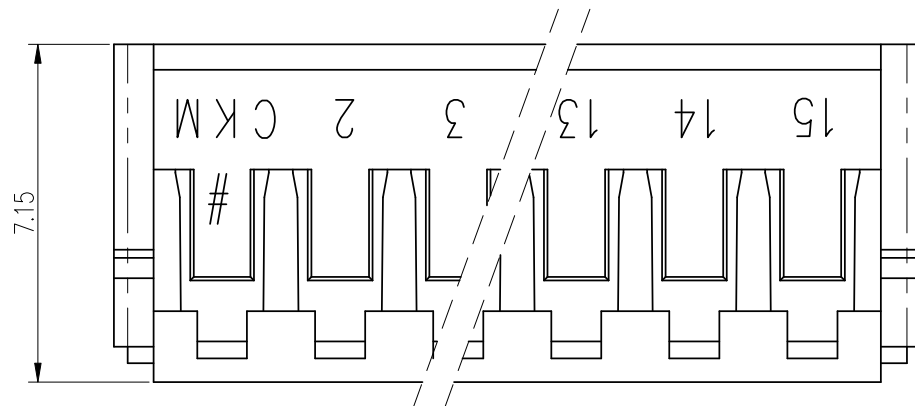
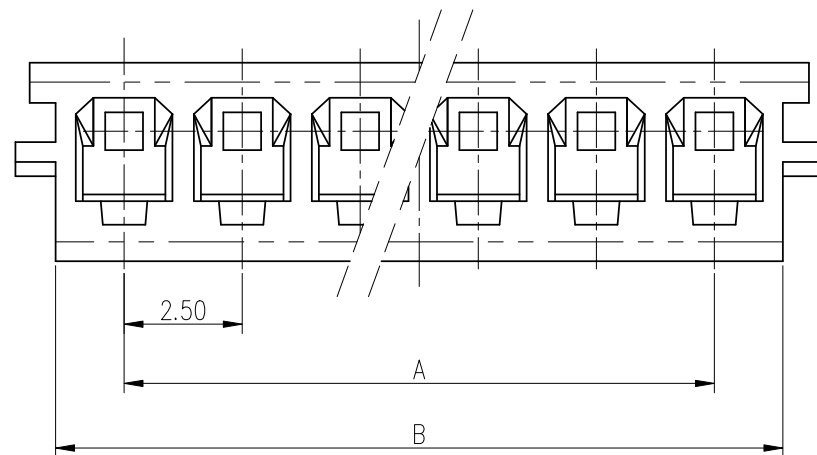


6 CUST INFORMATION.

PART NO.	DRAWING NO.	REV.
----------	-------------	------

NOTE:

- MATERIAL: NYLON 66 UL94 V-0, NATURAL
- RoHS COMPLIANCE
- BILL OF PART NO.
2504H-XP-X-XX
 - └─ BLANK OR HF(HALOGEN FREE)
 - └─ COLOR: BLANK OR A THRU Z
 - └─ NO. OF CIRCUITS: 2~15
- FOR COLOR, AVAILABILITY, DELIVERY & MOQ, CONTACT CKM
- DIMENSIONAL & ORDERING INFORMATION



POS	A	B
2P	2.5	5.4
3P	5.0	7.9
4P	7.5	10.4
5P	10.0	12.9
6P	12.5	15.4
7P	15.0	17.9
8P	17.5	20.4
9P	20.0	22.9
10P	22.5	25.4
11P	25.0	27.9
12P	27.5	30.4
13P	30.0	32.9
14P	32.5	35.4
15P	35.0	37.9

COLOR CODE	
BLANK	NATURAL
A	BLACK
B	BROWN
C	RED
D	ORANGE
E	YELLOW
F	GREEN
G	BLUE
H	PURPLE
J	GREY
K	WHITE
M	MILKY YELLOW
Q	BRICK RED
U	MILKY WHITE



TOLERANCE		PART NO.		朝貴電子股份有限公司 CKM ELECTRONICS CO., LTD.		
X.	X.XXX ±0.10	2504H-XP-X-XX				
X.X	±0.30	DRAWING NO.		TITLE: CKM2504 SERIES		
X.XX	±0.20	Angular ±2°		C-250401XX-XX		
UNIT: mm		APPROVED BY	CHECKED BY	DRAWN BY	PAGE	REV.
DWG TYPE.		Angus Chen 2017.01.17	Rock 2017.01.17	TZQ 2017.01.17	10F2	
Customer Drawing					SCALE	
					5 : 1	

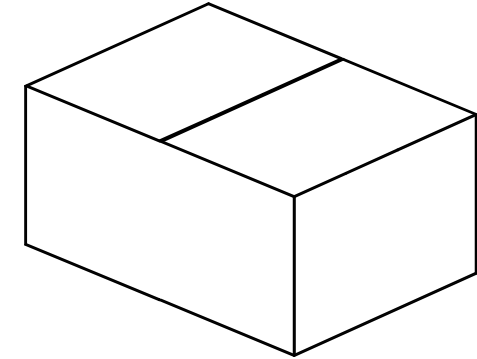
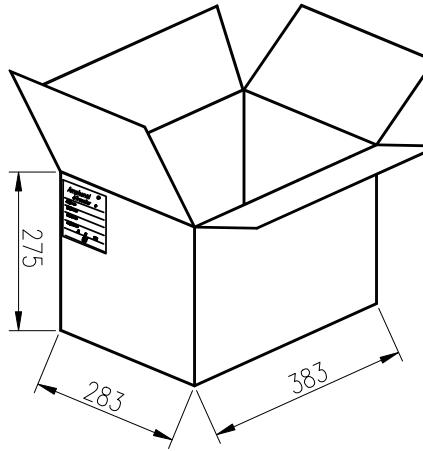
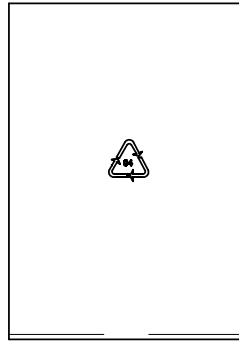
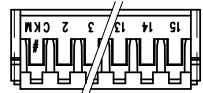
D		UPDATE DRAWING	TZQ	2017.01.17
C		UPDATE DRAWING	Zisen Wei	2015.11.03
REV.	ECN NO	REVISION RECORD	DRAW	DATE

1
RoHS

HF

6
CUST INFORMATION.

PART NO. NA	DRAWING NO. NA	REV. NA
----------------	-------------------	------------



POS	PE BAG/PSC	CARTON/PCS	GROSS WEIGHT	NET WEIGHT	POS	PE BAG/PSC	CARTON/PCS	GROSS WEIGHT	NET WEIGHT
2	600PCS	14400PCS	1.29Kg	1.77Kg	9	500PCS	8000PCS	2.0Kg	2.48Kg
3	600PCS	14400PCS	1.62Kg	2.1Kg	10	500PCS	8000PCS	2.2Kg	2.68Kg
4	600PCS	14400PCS	1.95Kg	2.43Kg	11	500PCS	8000PCS	2.37Kg	2.85Kg
5	600PCS	14400PCS	2.29Kg	2.77Kg	12	300PCS	4800PCS	1.54Kg	2.02Kg
6	500PCS	8000PCS	1.46Kg	1.94Kg	13	300PCS	4800PCS	1.65Kg	2.13Kg
7	500PCS	8000PCS	1.64Kg	2.12Kg	14	300PCS	4800PCS	1.75Kg	2.23Kg
8	500PCS	8000PCS	1.82Kg	2.3Kg	15	300PCS	4800PCS	1.87Kg	2.35Kg

CKM
2017.01.19
研發部

TOLERANCE		PART NO. 2504H-XP-X-XX		朝貴電子股份有限公司 CKM ELECTRONICS CO., LTD.	
X. X.X ±0.30 X.XX ±0.20	X.XXX ±0.10 Angular ±2°	DRAWING NO. C-250401XX-XX		TITLE. CKM2504 SERIES	
UNIT: mm DWG TYPE. Customer Drawing		APPROVED BY Angus Chen 2017.01.17	CHECKED BY Rock 2017.01.17	DRAWN BY TZQ 2017.01.17	PAGE 20F2 SCALE 1:1
				REV. D	

D		UPDATE DRAWING	TZQ	2017.01.17
C		UPDATE DRAWING	Zisen Wei	2015.11.03
REV.	ECN NO	REVISION RECORD	DRAW	DATE