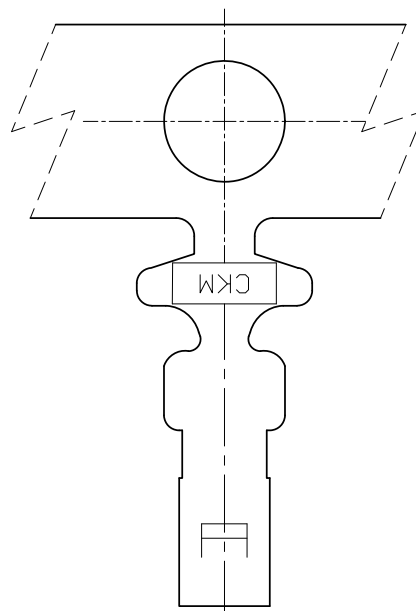
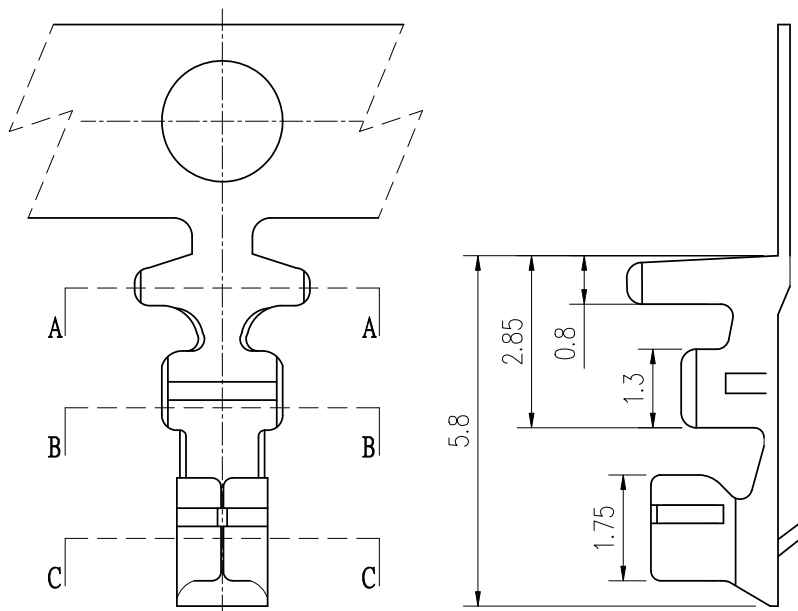


RoHS

CUST INFORMATION.

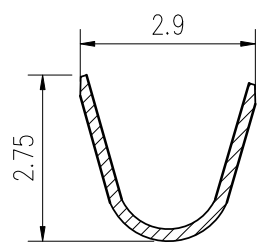
PART NO.	DRAWING NO.	REV.
----------	-------------	------



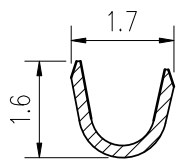
- NOTE:
1. MATERIAL: 0.2mm THICK COPPER ALLOY
 2. PLATED: TIN/GOLD PLATED
 3. APPLICABLE WIRES: AWG#28-#22
 4. Insulation O.D:1.2~1.7mm
 5. BILL OF PART NO:

2504TOX-XX

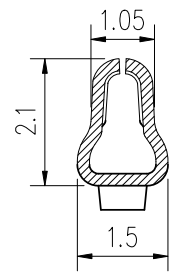
- PLATING TYPE: 1=PRE-TIN PLATED
2=POST-TIN PLATED
- FINISH: A=MATTE TIN PLATED
B=BRIGHT TIN PLATED
C=GOLD PLATED
- MATERIAL: B=BRASS
P=PHOSPHOR BRONZE



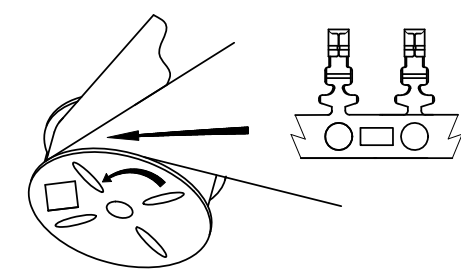
SECTION A-A



SECTION B-B



SECTION C-C



DRAW INTO DIRECTION



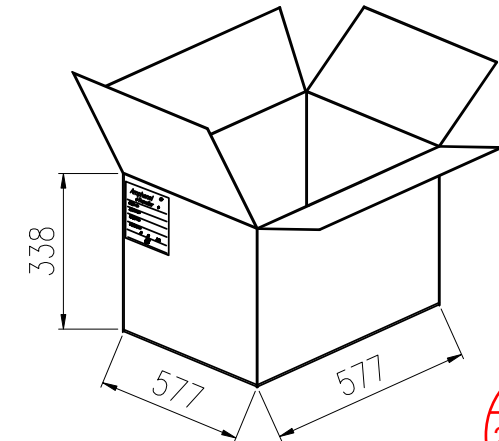
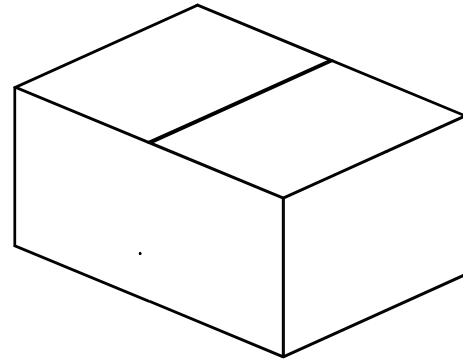
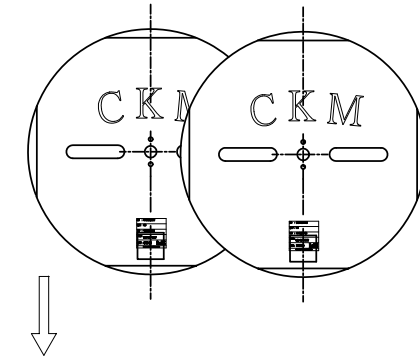
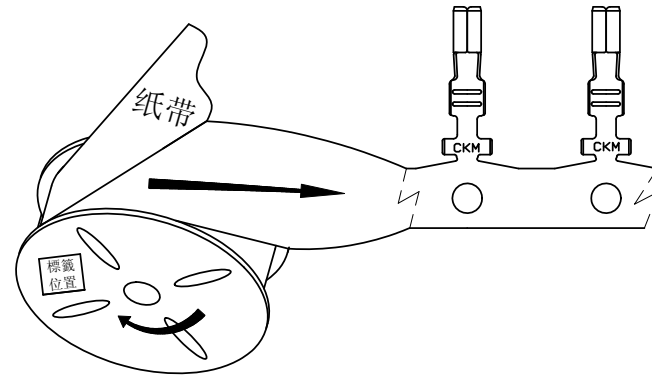
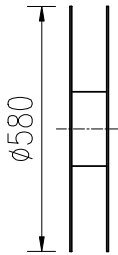
TOLERANCE		PART NO.		朝貴電子股份有限公司 CKM ELECTRONICS CO., LTD.		
X. X.X ±0.30	X.XXX ±0.10	2504TOX-XX				
X.XX ±0.20	Angular ±2°	DRAWING NO.		TITLE: CKM2504 SERIRS		
UNIT: mm		C-25040303-XX				
DWG TYPE.		APPROVED BY	CHECKED BY	DRAWN BY	PAGE	REV.
Customer Drawing		Angus Chen 2017.01.17	Rock 2017.01.17	TZQ 2017.01.17	10F2	C
				SCALE	8 : 1	

C		UPDATE DRAWING	TZQ	2017.01.17
B		UPDATE DRAWING	Zisen Wei	2015.09.22
REV.	ECN NO	REVISION RECORD	DRAW	DATE

RoHS

CUST INFORMATION.

PART NO. NA	DRAWING NO. NA	REV. NA
----------------	-------------------	------------



PART NO	ROLL/PCS	CARTON/PCS	GROSS WEIGHT	NET WEIGHT
2504TOX	10k PCS	120K PCS	16.0Kg	20.5Kg

TOLERANCE X. X.XXX ± 0.10 X.X ± 0.30 X.XX ± 0.20		PART NO. 2504TOX-XX		朝貴電子股份有限公司 CKM ELECTRONICS CO., LTD.	
		DRAWING NO. C-25040303-XX		TITLE: CKM2504 SERIRS	
UNIT: mm		APPROVED BY Angus Chen 2017.01.17	CHECKED BY Rock 2017.01.17	DRAWN BY TZQ 2017.01.17	PAGE 20F2 SCALE 1:1
DWG TYPE. Customer Drawing				REV. C	

C		UPDATE DRAWING	TZQ	2017.01.17
B		UPDATE DRAWING	Zisen Wei	2015.09.22
REV.	ECN NO	REVISION RECORD	DRAW	DATE