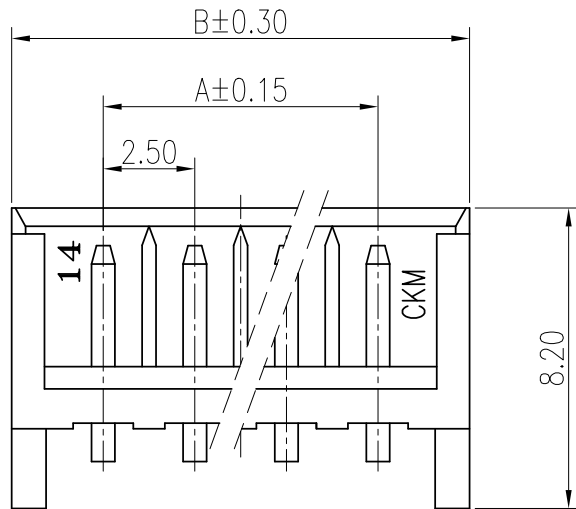
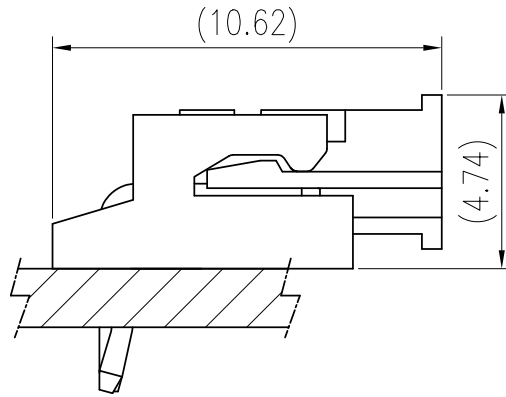
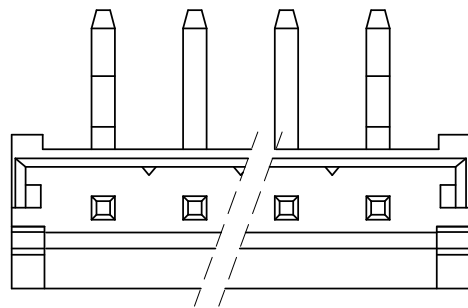
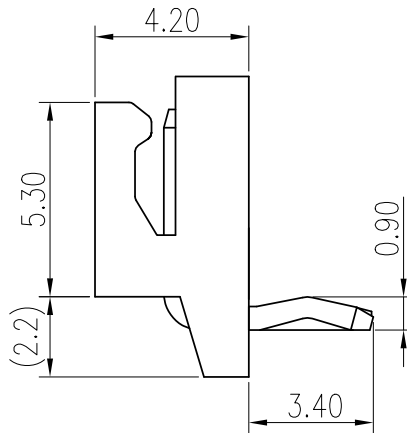


RoHS



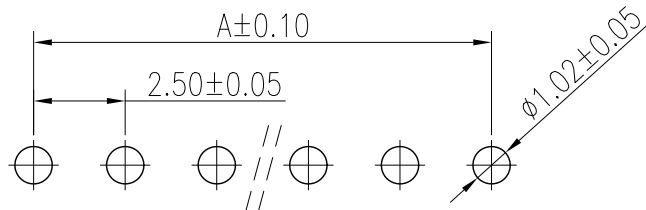
SIDE ENTRY TYPE



NOTE:

1. MATERIAL:
 - 1.1 INSULATOR: NYLON 66 UL 94V-0 NATURAL
 - 1.2 CONTACT: SQ. 0.64mm BRASS
2. FINISH: BRIGHT-TIN PLATED
3. RoHS & HALOGEN-FREE COMPLIANCE
4. BILL OF PART NO:
 - 2504WR-XP-B-HF
 - ↳ NO. OF CIRCUITS: 2~15
5. FOR AVAILABILITY, DELIVERY & MOQ, CONTACT CKM
6. DIMENSIONAL

POS	A	B	POS	A	B
2	2.5	7.5	9	20.0	25.0
3	5.0	10.0	10	22.5	27.5
4	7.5	12.5	11	25.0	30.0
5	10.0	15.0	12	27.5	32.5
6	12.5	17.5	13	30.0	35.0
7	15.0	20.0	14	32.5	37.5
8	17.5	22.5	15	35.0	40.0



RECOMMENDED PCB LAYOUT
PCB THK=1.6

TOLERANCE		PART NO.		朝貴電子股份有限公司 CKM ELECTRONICS CO., LTD.	
X. X.X ±0.40	X.XXX ±0.10	2504WR-XP-B-HF			
X.XX ±0.30	Angular ±2°	DRAWING NO.		DESCRIPTION	
UNIT: mm DWG TYPE: Customer Drawing		C-2504WR-XP-B-HF		2.5mm PITCH RIGHT ANGLE DIP TYPE CONNECTOR	
APPROVED BY	CHECKED BY	DRAWN BY	PAGE	REV.	
Ivan Su 2021.10.20	Lance Cheng 2021.10.20	Jimmy Wang 2021.10.20	1 OF 2	D	
			SCALE		
			5 : 1		

D	EC-21100045	UPDATE DRAWING	Jimmy Wang	2021.10.20
C		UPDATE DRAWING	TZQ	2017.01.17
REV.	ECN NO	REVISION RECORD	DRAW	DATE

1

2

3

4

5

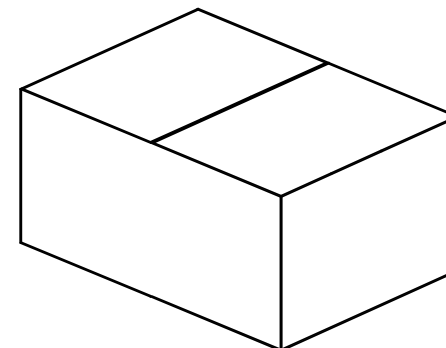
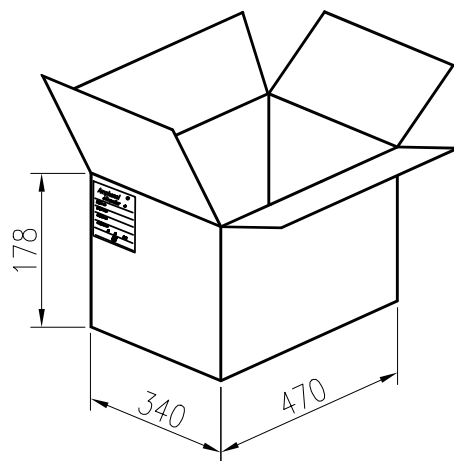
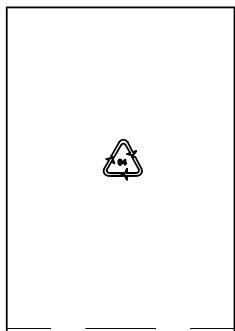
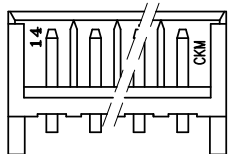
6

A

B

C

D



POS	BAG	CARTON	POS	BAG	CARTON
	PCS BAG	PCS CARTON		PCS BAG	PCS CARTON
2	500	20000	9	300	12000
3	500	20000	10	300	12000
4	500	20000	11	200	8000
5	500	20000	12	200	8000
6	300	12000	13	200	8000
7	300	12000	14	200	8000
8	300	12000	15	200	8000



TOLERANCE		PART NO.		朝貴電子股份有限公司 CKM ELECTRONICS CO., LTD.	
X.	X.XXX ±0.10	2504WR-XP-B-HF			
X.X	±0.40	DRAWING NO.		DESCRIPTION	
X.XX	±0.30	C-2504WR-XP-B-HF		2.5mm PITCH RIGHT ANGLE DIP TYPE CONNECTOR	
UNIT: mm		APPROVED BY	CHECKED BY	DRAWN BY	PAGE
		Ivan Su 2021.10.20	Lance Cheng 2021.10.20	Jimmy Wang 2021.10.20	2 OF 2
DWG TYPE.				SCALE	REV.
Customer Drawing				5 : 1	D

D	EC-21100045	UPDATE DRAWING	Jimmy Wang	2021.10.20
C		UPDATE DRAWING	TZQ	2017.01.17
REV.	ECN NO	REVISION RECORD	DRAW	DATE

1

2

3

4

5

6