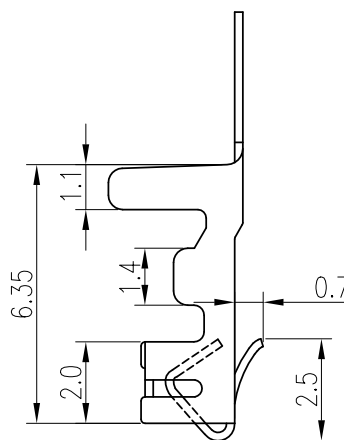
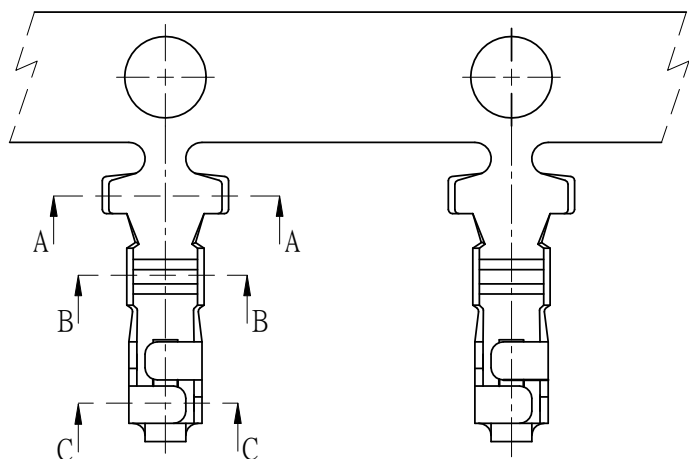


1 RoHS



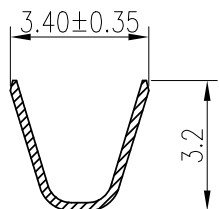
6 CUST INFORMATION.

PART NO.	DRAWING NO.	REV.
----------	-------------	------

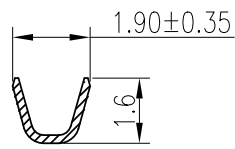


NOTE:

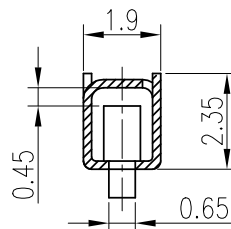
- MATERIAL: 0.20mm THICK COPPER ALLOY
- FINISH: TIN/GOLD PLATED
- APPLICABLE WIRES:AWG#22-#28
- INSULATION O.D.: MAX 1.40mm
- RoHS COMPLIANT
- BILL OF PART NO:
2501T0X-XX
 - FINISH: A2=POST-MATTE TIN PLATED
 - B1=PRE-BRIGHT TIN PLATED
 - B2=POST-BRIGHT TIN PLATED
 - C=POST-GOLD FLASH PLATED
- MATERIAL: B=BRASS
P=PHOSPHOR BRONZE
- Q'ty / REEL: 7,000 pcs
- FOR FINISH, AVAILABILITY, DELIVERY & MOQ, CONTACT CKM



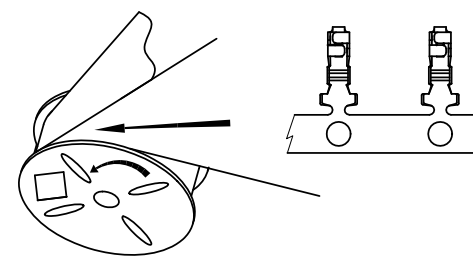
SEC A-A



SEC B-B



SEC C-C



DRAW INTO DIRECTION

TOLERANCE		PART NO.		朝貴電子股份有限公司 CKM ELECTRONICS CO., LTD.	
X.	X.XXX ±0.10	2501T0X-XX			
X.X	±0.30	DRAWING NO.		TITLE: 2.5mm PITCH CRIMP TERMINAL	
X.XX	±0.20	C-250103XXHF			
		UNIT:		APPROVED BY	
		mm		IVAN SU 2023.02.17	
DWG TYPE.		CHECKED BY		DRAWN BY	
Customer Drawing		李德亮 2023.02.17		周桂林 2023.02.17	
				PAGE	
				10F1	
				SCALE	
				5 : 1	
				REV.	
				D	

D	EC-23021450	增加UL&CSA Logo,移除HF Logo	周桂林	2023/02/17
C	EC-20110770	UPDATE DRAWING	Odyssey	2-Nov-20
REV.	ECN NO	REVISION RECORD	DRAW	DATE