

RoHS



CUST INFORMATION.

PART NO.	DRAWING NO.	REV.
----------	-------------	------

NOTE:

- MATERIAL SPECIFICATION:
 - 1.1 INSULATION: NYLON 66 UL 94V-0, NATURAL
 - 1.2 CONTACT: SQ. 0.64mm COPPER ALLOY
- FINISH: TIN PLATED
- BILL OF PART NO: 2501WR-XP-XX-XXX-XX
 - BLANK: RoHS
 - HF: HALOGEN FREE
 - VOID CIRCUITS: BLANK (STANDARD) OR 1~3 ALPHANUMERIC DIGITS
 - COLOR: BLANK (NATURAL) OR A~U
 - FINISH:
 - A=MATTE TIN PLATED
 - B=BRIGHT TIN PLATED
 - C=GOLD FLASH PLATED
 - NO. OF CIRCUITS: 2~16
- FOR COLOR, AVAILABILITY, DELIVERY & MOQ, CONTACT CKM
- DIMENSIONAL & ORDERING INFORMATION



A

B

C

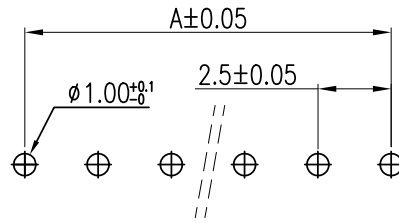
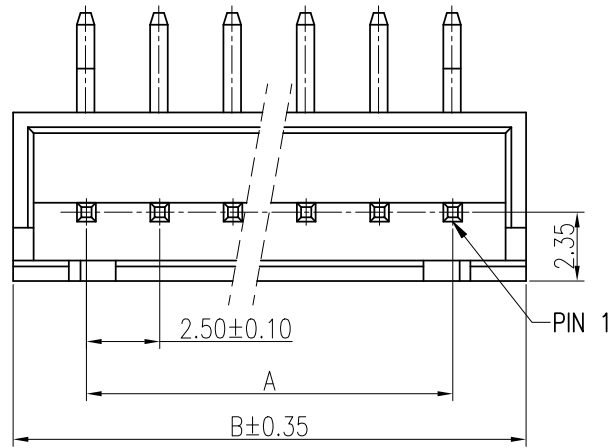
D

A

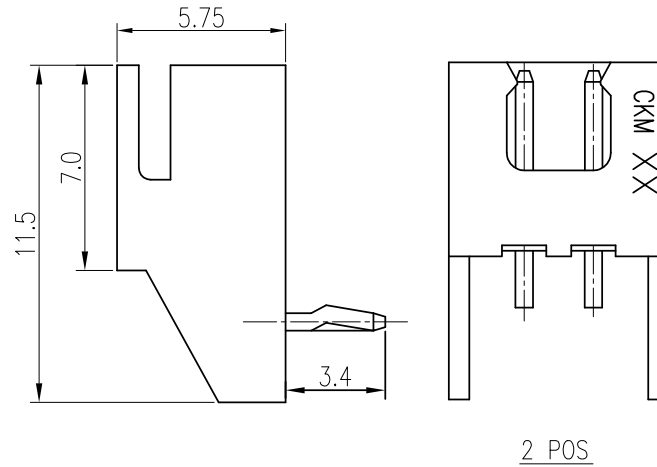
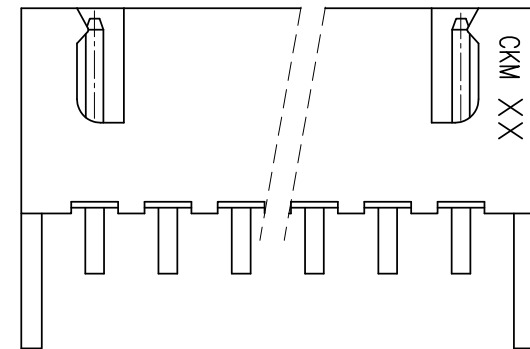
B

C

D



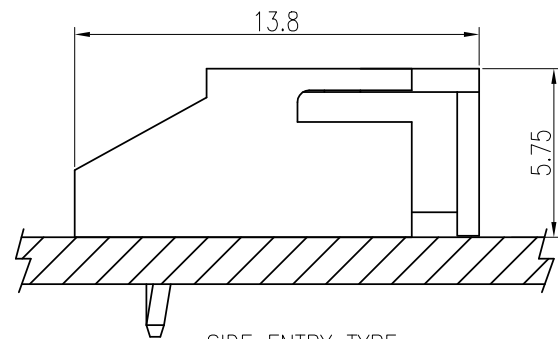
RECOMMENDED PCB LAYOUT
PCB THK=1.6mm



2 POS

POS	A	B
2	2.50	7.5
3	5.00	10.0
4	7.50	12.5
5	10.00	15.0
6	12.50	17.5
7	15.00	20.0
8	17.50	25.5
9	20.00	25.0
10	25.50	27.5
11	25.00	30.0
12	27.50	32.5
13	30.00	35.0
14	32.50	37.5
15	35.00	40.0
16	37.50	42.5

COLOR CODE	
BLANK	NATURAL
A	BLACK
B	BROWN
C	RED
D	ORANGE
E	YELLOW
F	GREEN
G	BLUE
H	PURPLE
J	GREY
K	WHITE
M	MILKY YELLOW
Q	BRICK RED
U	MILKY WHITE



SIDE ENTRY TYPE

TOLERANCE X. X.XXX ±0.10 X.X ±0.30 X.XX ±0.20 Angular ±2°		PART NO. 2501WR-XP-XX-XXX		朝貴電子股份有限公司 CKM ELECTRONICS CO., LTD.	
		DRAWING NO. C-250102XX-XX		TITLE. 2.5mm PITCH RIGHT ANGLE DIP TYPE CONNECTOR	
DWG TYPE. Customer Drawing		APPROVED BY Angus.Chen 2020.11.02	CHECKED BY Sun.Lee 2020.11.02	DRAWN BY Odyssey 2020.11.02	PAGE 1 OF 1 SCALE 4 : 1
				REV. B	

B	EC-20110770	UPDATE DRAWING	Odyssey	2-Nov-20
A		NEW RELEASE	Zisen Wei	21-Sep-15
REV.	ECN NO	REVISION RECORD	DRAW	DATE

1

2

3

4

5

6 QMI-P12-05-01