

RoHS

HF

1. MATERIAL SPECIFICATION:

- 1.1 INSULATOR: NYLON 66 UL 94V-0
- 1.2 CONTACT: SQ. 0.64mm COPPER ALLOY

2. FINISH: TIN/GOLD PLATED

3. BILL OF PART NO:

2501WV-XP-XX-SW-XXX-HF

NO. OF CIRCUITS: 2~16

FINISH

B=BRIGHT TIN PLATED

→ BLANK OR HF(HALOGEN FREE)

→ VOID CIRCUITS: BLANK(STANDARD) OR 1~3 ALPHANUMERIC DIGITS

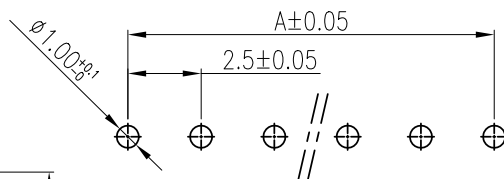
→ COLOR: BLANK(NATURAL) OR A~U

4. FOR COLOR, AVAILABILITY, DELIVERY & MOQ, CONTACT CKM

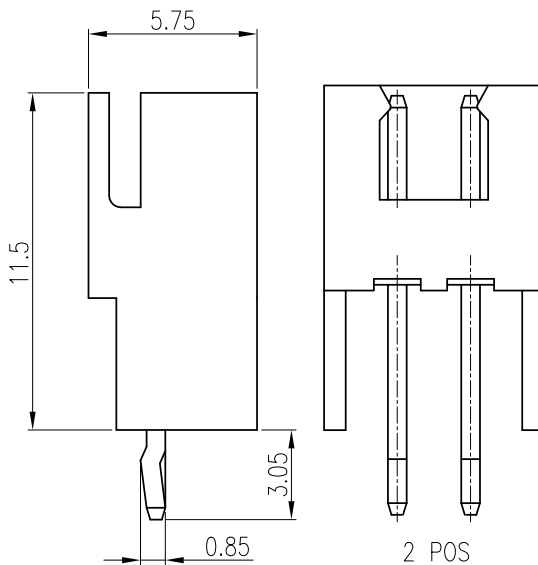
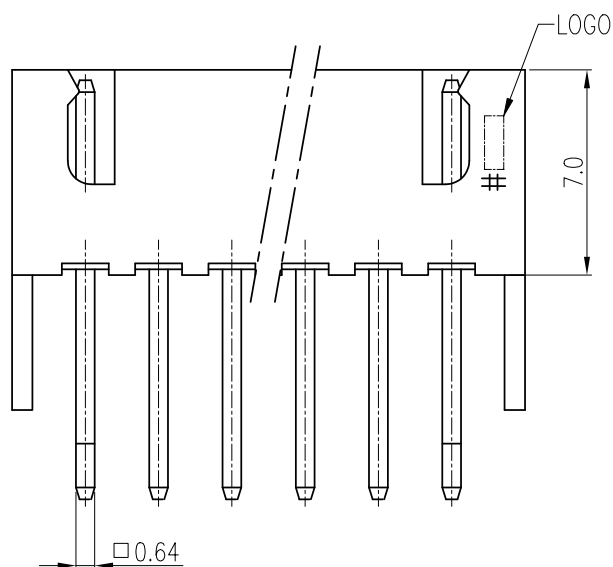
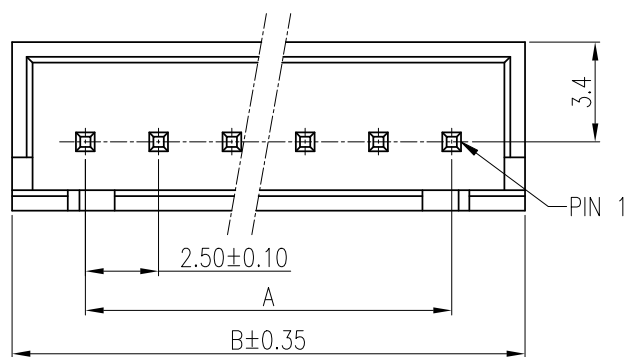
5. DIMENSIONAL & ORDERING INFORMATION

POS	A	B
2	2.5	7.5
3	5.0	10.0
4	7.5	12.5
5	10.0	15.0
6	12.5	17.5
7	15.0	20.0
8	17.5	22.5
9	20.0	25.0
10	25.5	27.5
11	25.0	30.0
12	27.5	32.5
13	30.0	35.0
14	32.5	37.5
15	35.0	40.0
16	37.5	42.5

COLOR CODE	
BLANK	NATURAL
A	BLACK
B	BROWN
C	RED
E	YELLOW
F	GREEN
G	BLUE
J	GREY



RECOMMENDED PCB LAYOUT
(PCB THICK=1.6mm)

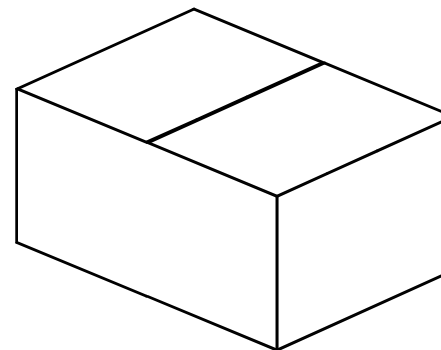
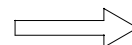
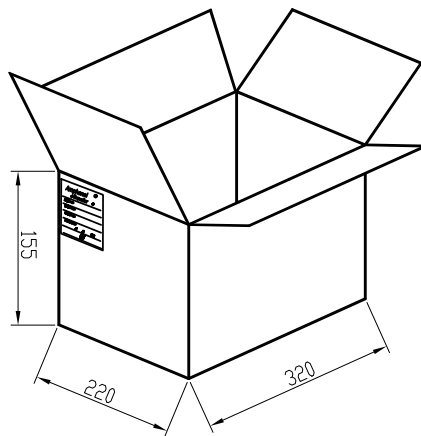
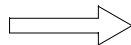
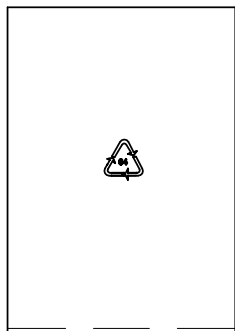
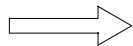
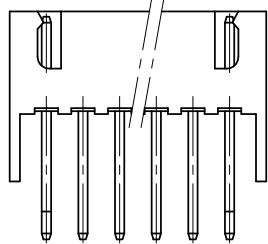


TOLERANCE		PART NO.		朝貴電子股份有限公司 CKM ELECTRONICS CO., LTD.	
X.	X.XXX ±0.10	2501WV-XP-XX-SW-XXX-HF		DRAWING NO.	
X.X	±0.30	C-2501WV-XP-XX-SW-XXX-HF		TITLE.	
X.XX	±0.20	UNIT: mm		2.5mm PITCH VERTICAL DIP TYPE CONNECTOR	
		APPROVED BY	CHECKED BY	DRAWN BY	PAGE
DWG TYPE.		Ivan.su	Sun.lee	Angel.tong	1 OF 2
Customer Drawing		2022.09.26	2022.09.26	2022.09.26	SCALE
					1 : 1
					REV. C

REV.	ECN NO	REVISION RECORD	DRAW	DATE
C	EC-22091337	CHANGE DRAWING	Angel.tong	2022.09.26
B	EC-19120476	ADDED PACKAGE SPEC	Odyssey	2019.12.03
A		NEW RELEASE	Jimmy	2015.06.25

RoHS

HF



POS	PE BAG/PSC	CARTON/PCS
2	1000PCS	8000PCS
3	1000PCS	5000PCS
4	1000PCS	4000PCS
5	1000PCS	4000PCS
6	1000PCS	3000PCS
7	500PCS	2500PCS
8	500PCS	2500PCS
9	500PCS	2000PCS
10	500PCS	2000PCS
11	500PCS	2000PCS
12	250PCS	1500PCS
13	250PCS	1500PCS
14	250PCS	1500PCS
15	250PCS	1500PCS
16	250PCS	1250PCS



C	EC-22091337	CHANGE DRAWING	Angel.tong	2022.09.26
B	EC-19120476	ADDED PACKAGE SPEC	Odyssey	2019.12.03
A		NEW RELEASE	Jimmy	2015.06.25
REV.	ECN NO	REVISION RECORD	DRAW	DATE

TOLERANCE		PART NO.		朝貴電子股份有限公司 CKM ELECTRONICS CO., LTD.	
X.	X.XXX ±0.10	2501WV-XP-XX-SW-XXX-HF		DRAWING NO.	
X.X	±0.30	C-2501WV-XP-XX-SW-XXX-HF		TITLE.	
X.XX	±0.20	UNIT: mm		2.5mm PITCH VERTICAL DIP TYPE CONNECTOR	
		APPROVED BY	CHECKED BY	DRAWN BY	PAGE
DWG TYPE.		Ivan.su	Sun.lee	Angel.tong	2 OF 2
Customer Drawing		2022.09.26	2022.09.26	2022.09.26	SCALE
					1 : 1
					REV. C

1

2

3

4

5

6

A

B

C

D

A

B

C

D