

1 Proposal Drawing

2 RoHS

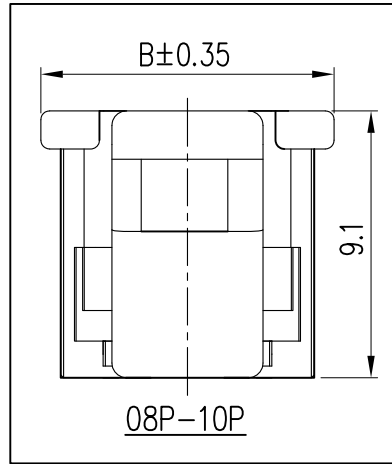
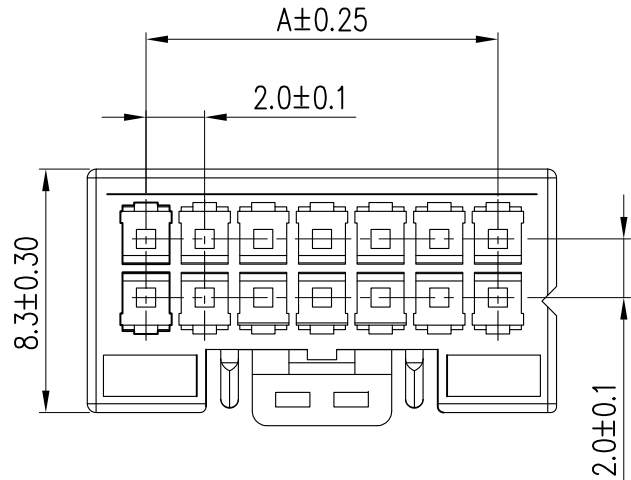


6 CUST INFORMATION.

PART NO.	DRAWING NO.	REV.
----------	-------------	------

A

A



NOTES:

- 1. MATERIAL: PA66, UL 94V-0
- 2. FRoHS & HALOGEN FREE COMPLIANT
- 4. BILL OF PART NO:

2022H-XXP-X-HF

No. OF CIRCUITS: 08~40

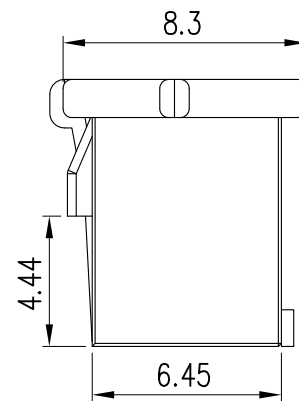
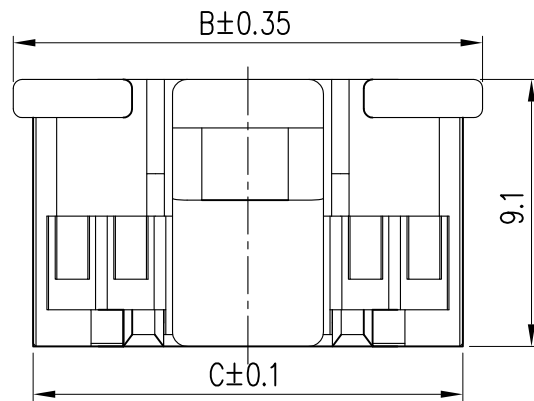
COLOR: BLANK=NATURAL
OR A=BLACK
C=RED

5.FOR FINISH, COLOR, AVAILABILITY, DELIVERY & MOQ, CONTACT CKM
6.DIMENSIONAL

POS	A	B	C
8	6.0	10.0	8.65
10	8.0	12.0	10.65
12	10.0	14.0	12.65
14	12.0	16.0	14.65
16	14.0	18.0	16.65
18	16.0	20.0	18.65
20	18.0	22.0	20.65
22	20.0	24.0	22.65
24	22.0	26.0	24.65
26	24.0	28.0	26.65
28	26.0	30.0	28.65
30	28.0	32.0	30.65
32	30.0	34.0	32.65
34	32.0	36.0	34.65
36	34.0	38.0	36.65
38	36.0	40.0	38.65
40	38.0	42.0	40.65

B

B



C

C

D

D

TOLERANCE	
X.	X.XXX ±0.10
X.X	±0.30
X.XX	±0.20
	Angular ±2°
	UNIT: mm
DWG TYPE. Customer Drawing	

PART NO. 2022H-XXP-X-HF

朝貴電子股份有限公司 CKM ELECTRONICS CO., LTD.

DRAWING NO. C-2022H-XXP-X-HF

TITLE. 2.0mm PITCH HOUSING TYPE

APPROVED BY Ivan Su 2022.01.06	CHECKED BY Lance 2022.01.06	DRAWN BY Secily 2022.01.06	PAGE 1 OF 2 SCALE 4 : 1	REV. 1
--------------------------------------	-----------------------------------	----------------------------------	----------------------------------	-----------

REV.	ECN NO	PROPOSAL DRAWING	Secily	2022.01.06
		REVISION RECORD	DRAW	DATE