

Proposal Drawing

CUST INFORMATION.

PART NO. NA	DRAWING NO. NA	REV. NA
----------------	-------------------	------------

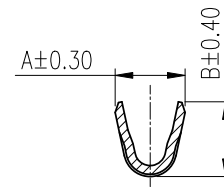
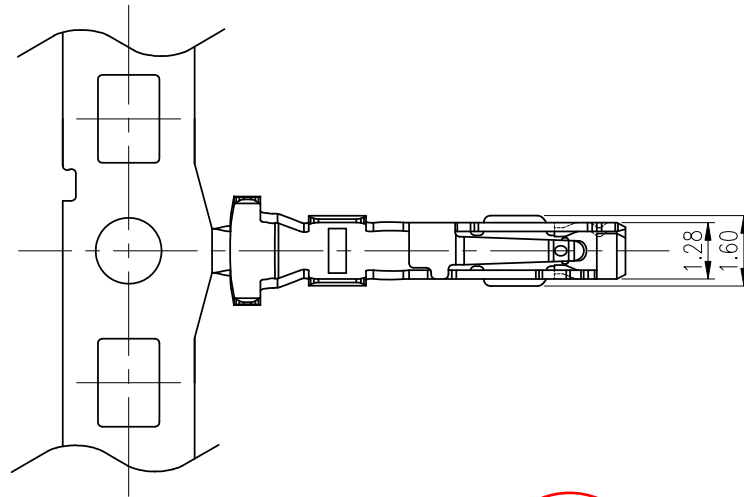
NOTE:

- MATERIAL: 0.20mm THICK COPPER ALLOY
- PLATED: TIN PLATED
- APPLICABLE HOISING:2021H SERIES
- APPLICABLE WIRES:AWG#22-#28
- WIRE RANGE:0.126~0.34MM²
- INSULATION O.D: $\phi 0.95\sim\phi 1.50\text{mm}$
- RoHS COMPLIANT
- BILL OF PART NO:

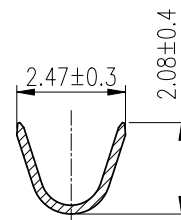
2021TXP-XX

FINISH:B1=PRE-BRIGHT TIN PLATED
B2=POST-BRIGHT TIN PLATED

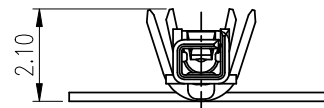
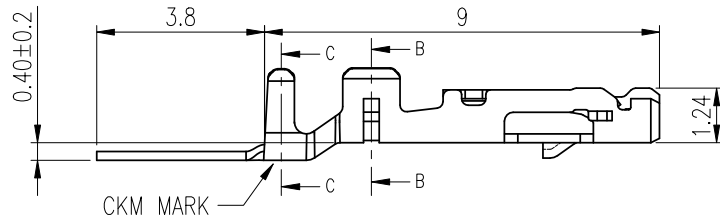
0: HIGH FOOT
1: LOW FOOT



SECTION B-B



SECTION C-C



APPLICABLE WIRES	TERMINAL NUMBER	A	B
REC. CRIMP TERMINAL (AWG #22-26) (TIN PLATING)	2021TOP-XX SERIES	1.59	1.70
REC. CRIMP TERMINAL (AWG #26-28) (TIN PLATING)	2021T1P-XX SERIES	1.34	1.35

TOLERANCE	
X. ±0.50	X.XXX ±0.15
X.X ±0.35	
X.XX ±0.25	Angular ±5°

UNIT: mm

DWG TYPE: Customer Drawing

PART NO. 2021TXP-XX		朝貴電子股份有限公司 CKM ELECTRONICS CO., LTD.		
DRAWING NO. C-2021TXP-XX				TITLE: IGRID 2.0MM W/B DUAL RCPT TERM AWG#22-28
APPROVED BY Ivan_Su 2022/06/14	CHECKED BY Deliang Li 2022/06/14	DRAWN BY Ryan 2022/06/14	PAGE 1 OF 1 SCALE 8 : 1	REV. A1

A1		RENEW THE DRAWING	Ryan	2022/06/14
A		NEW RELEASE	HEIMER	2020/11/25
REV.	ECN NO	REVISION RECORD	DRAW	DATE