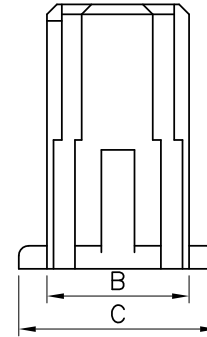
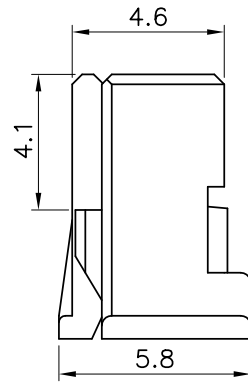
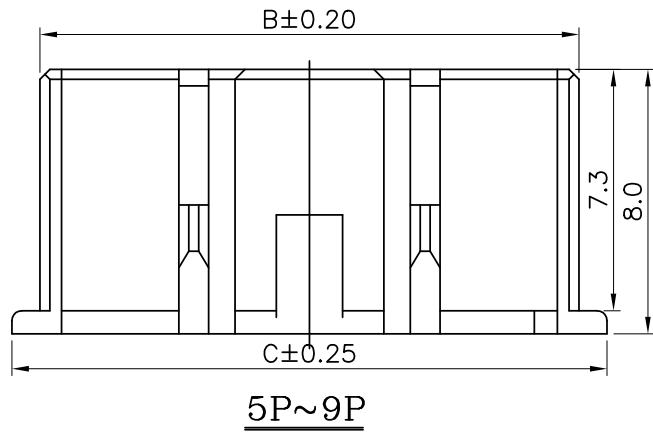


RoHS

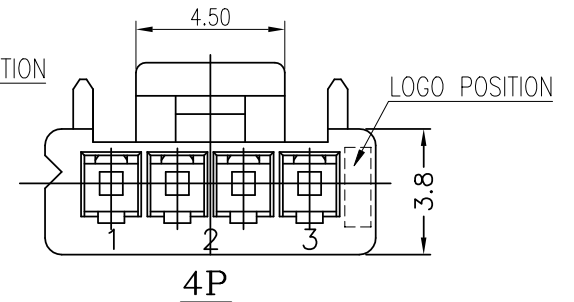
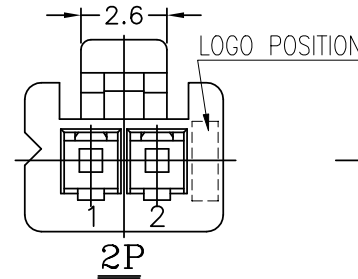
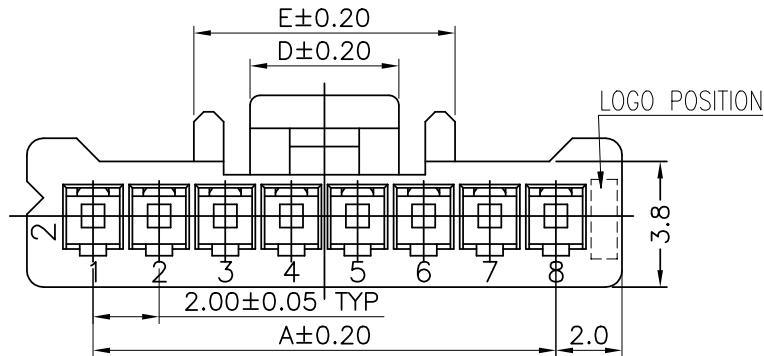


CUST INFORMATION.

| | | |
|----------------|-------------------|------------|
| PART NO. NA | DRAWING NO. NA | REV. NA |
|----------------|-------------------|------------|



3.8
3.8
3P
LOGO POSITION



| | | | | | |
|-------------------------|-------------|--------------------|--------------------|---|-----------------|
| TOLERANCE | | PART NO. | | 朝貴電子股份有限公司 CKM ELECTRONICS CO., LTD. | |
| X. | X.XXX ±0.10 | 2015H-XP-X-XX-HF | | | |
| X.X | ±0.30 | DRAWING NO. | | TITLE. | |
| X.XX | ±0.20 | C-2015H-XP-X-XX-HF | | 2015 HOUSING | |
| | | UNIT: | APPROVED BY | CHECKED BY | DRAWN BY |
| | | mm | Ivan Su | Deliang Li | Ryan |
| DWG TYPE. | | 2022/05/23 | | 2022/05/23 | |
| Customer Drawing | | 2022/05/23 | | 2022/05/23 | |
| | | | PAGE | | REV. |
| | | | 2 OF 3 | | E |
| | | | SCALE | | |
| | | | 5 : 1 | | |

| | | | | |
|------|-------------|------------------|--------|------------|
| E | EC-22050071 | ADD NO LOGO SPEC | Ryan | 2022.05.23 |
| D | | MODIFY PART NO | Winner | 2017.05.17 |
| REV. | ECN NO | REVISION RECORD | DRAW | DATE |

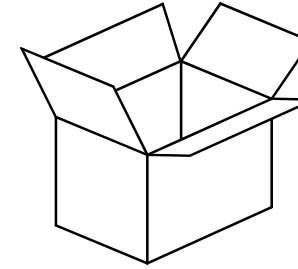
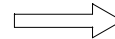
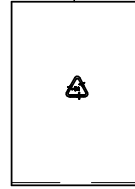
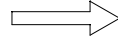
RoHS



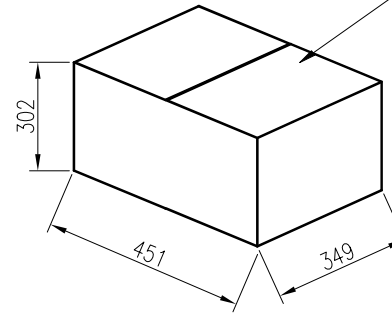
CUST INFORMATION.

| | | |
|----------------|-------------------|------------|
| PART NO. NA | DRAWING NO. NA | REV. NA |
|----------------|-------------------|------------|

PE BAG : XXX PCS



CARTON : XXXX PCS



| POS | PCS/PE BAG | PCS/CARTON | GROSS WEIGHT | NET WEIGHT |
|-----|------------|------------|--------------|------------|
| 2 | 1000 | 100000 | 9.9 Kg | 9.0 Kg |
| 3 | 1000 | 90000 | 11.7 Kg | 10.8 Kg |
| 4 | 1000 | 70000 | 11.4 Kg | 10.5 Kg |
| 5 | 1000 | 60000 | 11.7 Kg | 10.8 Kg |
| 6 | 1000 | 55000 | 12.5 Kg | 11.6 Kg |
| 7 | 1000 | 50000 | 12.4 Kg | 11.5 Kg |
| 8 | 1000 | 45000 | 14.4 Kg | 13.5 Kg |
| 9 | 1000 | 40000 | 14.1 Kg | 13.2 Kg |
| 10 | 1000 | 35000 | 13.9 Kg | 13.0 Kg |
| 11 | 1000 | 32000 | 14.1 Kg | 13.2 Kg |
| 12 | 1000 | 30000 | 14.1 Kg | 13.2 Kg |
| 13 | 1000 | 30000 | 14.9 Kg | 14.0 Kg |
| 14 | 1000 | 28000 | 14.9 Kg | 14.0 Kg |
| 15 | 1000 | 28000 | 15.8 Kg | 14.9 Kg |
| 16 | 1000 | 25000 | 15.2 Kg | 14.3 Kg |

| | | | | | |
|--|--|---|---|---|--|
| TOLERANCE X. X.XXX ±0.10 X.X ±0.30 X.XX ±0.20 Angular ±2° | | PART NO. 2015H-XP-X-XX-HF | | 朝貴電子股份有限公司 CKM ELECTRONICS CO., LTD. | |
| | | DRAWING NO. C-2015H-XP-X-XX-HF | | TITLE. 2015 HOUSING | |
| DWG TYPE. Customer Drawing | | APPROVED BY Ivan Su 2022/05/23 | CHECKED BY Deliang Li 2022/05/23 | DRAWN BY Ryan 2022/05/23 | PAGE 3 OF 3 SCALE 5 : 1 |
| | | | | REV. E | |

| | | | | |
|------|-------------|------------------|--------|------------|
| E | EC-22050071 | ADD NO LOGO SPEC | Ryan | 2022.05.23 |
| D | | MODIFY PART NO | Winner | 2017.05.17 |
| REV. | ECN NO | REVISION RECORD | DRAW | DATE |