

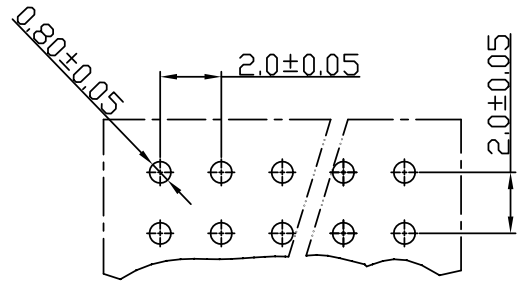
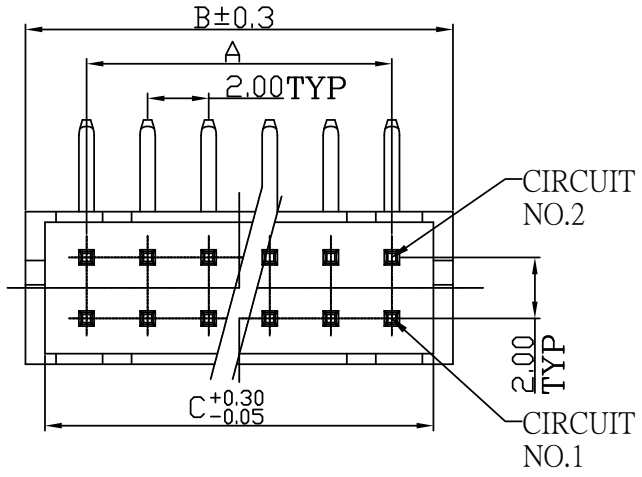
RoHS



CUST INFORMATION.

PART NO. NA	DRAWING NO. NA	REV. NA
----------------	-------------------	------------

A

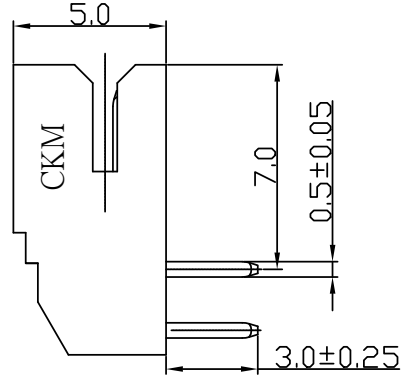
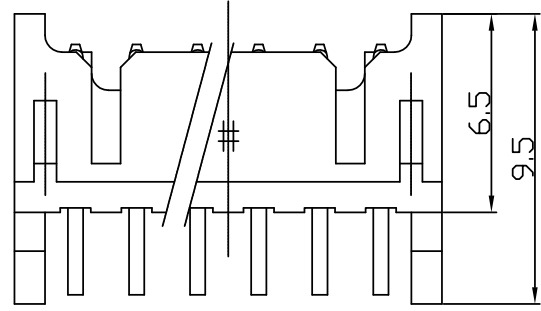


RECOMMENDED PCB LAYOUT
(PCB THK=1.0~1.6)

NOTE:

- MATERIAL:INSULATION=NYLON 66 UL 94V-0
CONTACT=SQ 0.5mm COPPER ALLOY
- FINISH: TIN PLATED
- BILL OF PART NO:
2008WR-XX-XX-HF
 - HF=HALOGEN FREE
 - FINISH →
 - COLOR: BLANK(NATURAL)
 - A=BLACK

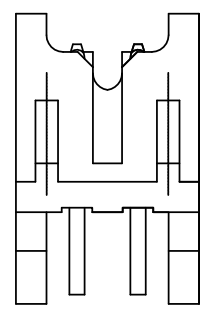
B



4.DIMENSIONAL & ORDERING INFORMATION:

32.74	34.0	30.0	32
30.74	32.0	28.0	30
28.74	30.0	26.0	28
26.74	28.0	24.0	26
24.74	26.0	22.0	24
22.74	24.0	20.0	22
20.74	22.0	18.0	20
18.74	20.0	16.0	18
16.74	18.0	14.0	16
14.74	16.0	12.0	14
12.74	14.0	10.0	12
10.74	12.0	8.0	10
8.74	10.0	6.0	08
6.74	8.0	4.0	06
4.74	6.0	2.0	04
C	B	A	POS

C



4P



D

TOLERANCE		PART NO.		朝貴電子股份有限公司 CKM ELECTRONICS CO., LTD.		
X. X.XXX ±0.10		2008WR-XX-XX-HF				
X.X ±0.30		DRAWING NO.		TITLE: 2.0mm PITCH WAFER(90°)		
X.XX ±0.20	Angular ±2°	C-2008WR-XX-XX-HF				
UNIT: mm		APPROVED BY	CHECKED BY	DRAWN BY	PAGE	REV.
DWG TYPE.		Angus Chen 2017.03.24	Angus Chen 2017.03.24	Winner 2017.03.24	1 OF 2	B
Customer Drawing					SCALE	
					5 : 1	

B		UPDATE DRAWING	WINNER	2017.03.24
A		NEW RELEASE	Winner	2013.11.25
REV.	ECN NO	REVISION RECORD	DRAW	DATE

RoHS



CUST INFORMATION.

PART NO. NA	DRAWING NO. NA	REV. NA
----------------	-------------------	------------

A

B

C

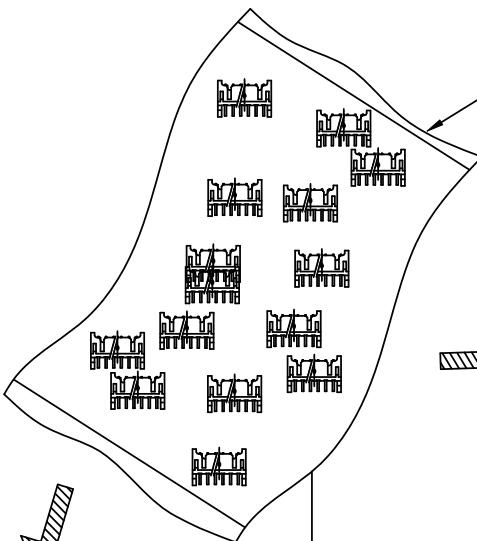
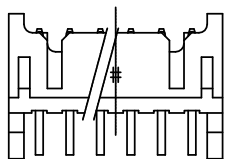
D

A

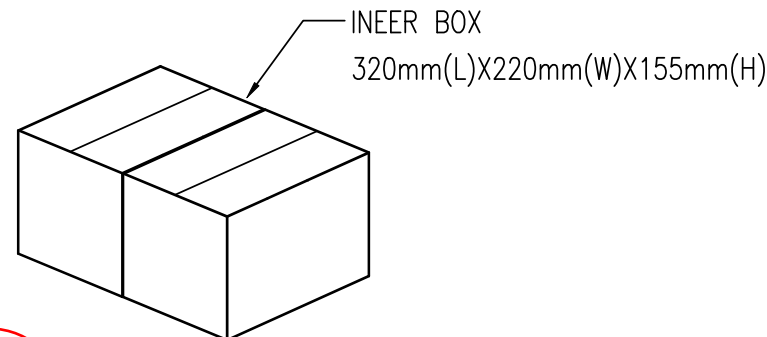
B

C

D

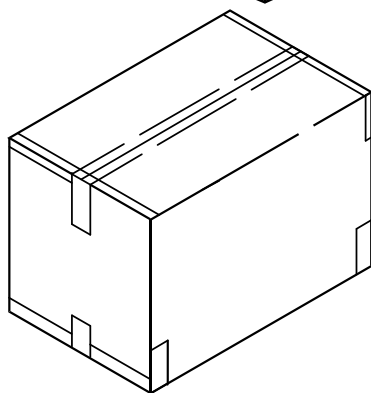
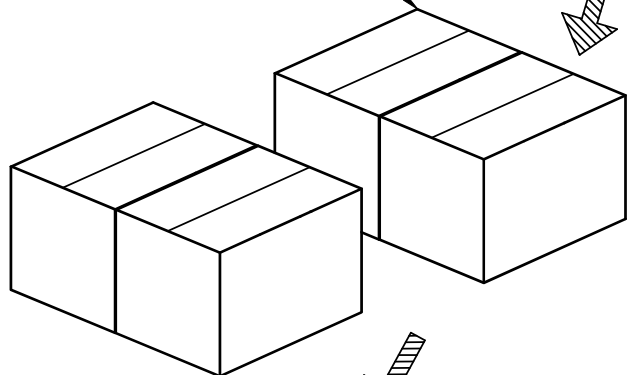


POLY BAG
127mm(L)X 203mm(W)X0.07mm(H)

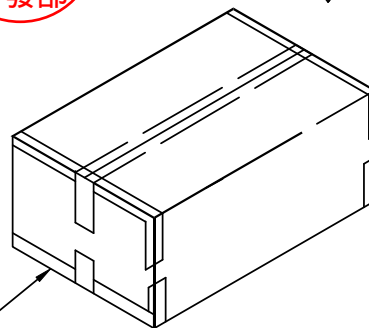


INEER BOX
320mm(L)X220mm(W)X155mm(H)

INEER BOX
320mm(L)X 220mm(W)X155mm(H)



CARTON
340mm(L)X470mm(W)X365mm(H)
(FOR HEADER 12P~32P ONLY)



CARTON
340mm(L)X470mm(W)X178mm(H)
(FOR HEADER 6P~10P ONLY)

8100	160	32
8100	160	30
9600	160	28
9600	200	26
9600	200	24
11200	200	22
11200	250	20
16000	300	18
16000	300	16
16000	350	14
19200	300	12
12800	400	10
16000	500	8
18000	600	6
APQ (POS/CARTON)	PPQ (POS/BAG)	POS

TOLERANCE X. X.XXX ±0.10 X.X ±0.30 X.XX ±0.20 Angular ±2°		PART NO. 2008WR-XX-XX-HF		朝貴電子股份有限公司 CKM ELECTRONICS CO., LTD.	
UNIT: mm DWG TYPE. Customer Drawing		DRAWING NO. C-2008WR-XX-XX-HF		TITLE. 2.0mm PITCH WAFER(90°)	
APPROVED BY Angus Chen 2017.03.24		CHECKED BY Angus Chen 2017.03.24		DRAWN BY Winner 2017.03.24	
				PAGE 2 OF 2	
				SCALE 1 : 2	
				REV. B	

B		UPDATE DRAWING	WINNER	2017.03.24
A		NEW RELEASE	Winner	2013.11.25
REV.	ECN NO	REVISION RECORD	DRAW	DATE

1

2

3

4

5

6 QMI-P12-05-01