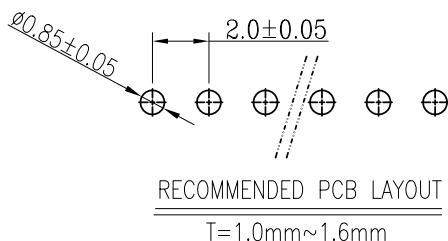
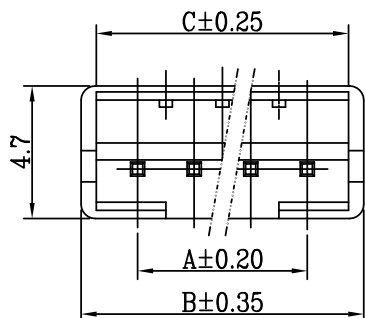


RoHS

HF

CKM
2021.12.14
研发部



NOTE:

1. MATERIAL SPECIFICATION:

1.1 INSULATION: NYLON 66 UL 94V-0

1.2 CONTACT: SQ. 0.50mm BRASS

2. FINISH: TIN PLATED.

3. BILL OF PART NO:

2001WV-XP-XX-HF

NO. OF CIRCUITS: 2~16

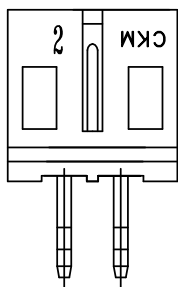
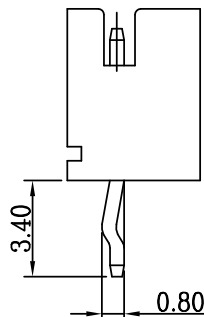
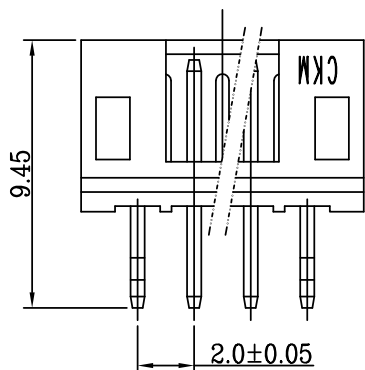
FINISH:A=MATTE TIN PLATED

B=BRIGHT TIN PLATED

HF=HALOGEN FREE

COLOR: BLANK(NATURAL) OR A~U

5. DIMENSIONAL



(2 CIRCUITS)

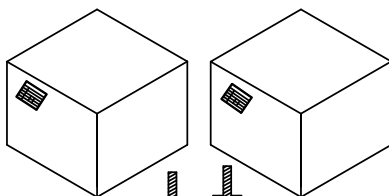
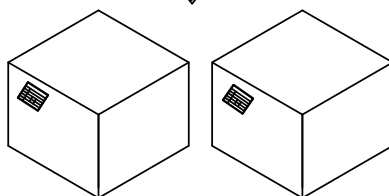
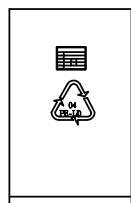
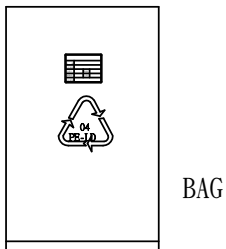
POS	A	B	C
2	2.00	6.00	4.90
3	4.00	8.00	6.90
4	6.00	10.00	8.90
5	8.00	12.00	10.90
6	10.00	14.00	12.90
7	12.00	16.00	14.90
8	14.00	18.00	16.90
9	16.00	20.00	18.90
10	18.00	22.00	20.90
11	20.00	24.00	22.90
12	22.00	26.00	24.90
13	24.00	28.00	26.90
14	26.00	30.00	28.90
15	28.00	32.00	30.90
16	30.00	34.00	32.90

COLOR CODE	
BLANK	NATURAL
A	BLACK
B	BROWN
C	RED
D	ORANGE
E	YELLOW
F	GREEN
G	BLUE
H	PURPLE
J	GREY
M	MILKY YELLOW
Q	BRICK RED
U	MILKY WHITE

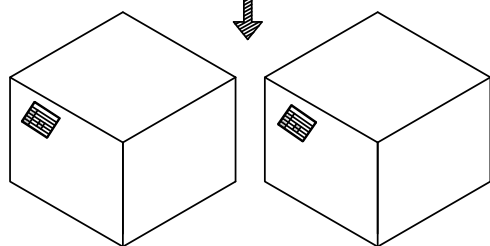
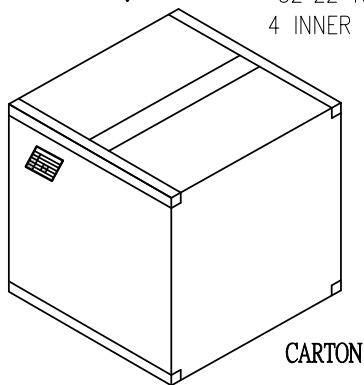
TOLERANCE		PART NO.		朝貴電子股份有限公司 CKM ELECTRONICS CO., LTD.	
X. X.XXX ±0.10		2001WV-XP-XX-HF			
X.X ±0.30		DRAWING NO.		TITLE.	
X.XX ±0.20	Angular ±2°	C- 200102XX-XX		2.0mm PITCH VERTICAL DIP TYPE CONNECTOR	
UNIT: mm		APPROVED BY	CHECKED BY	DRAWN BY	PAGE
DWG TYPE.		Ivan.Su	Sun.Lee	Ryan	1 OF 2
Customer Drawing		2021.11.25	2021.11.25	2021.11.25	SCALE
					5 : 1
					REV.
					D

D	EC-21121061	UPDATE DRAWING	Ryan	2021/11/25
C		UPDATE DRAWING	WINNER	2017/06/09
REV.	ECN NO	REVISION RECORD	DRAW	DATE

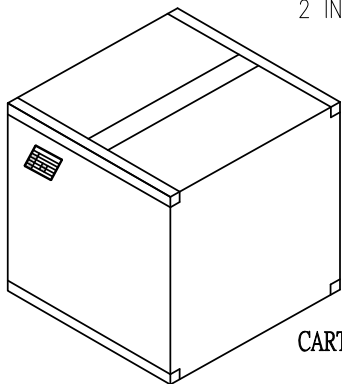
RoHS



32*22*15.5
4 INNER BOX



32*22*15.5
2 INNER BOX



POS	BAG PCS/BAG	INNER BOX PCS/BOX	CARTON PCS/CARTON	NET WEIGHT (KG)	CROSS WEIGHT (KG)
2	1000	20.0K	40.0K	4.90	6.26
3	750	13.5K	27.0K	4.52	5.82
4	650	10.4K	20.8K	4.31	5.61
5	550	8.8K	17.6K	4.12	5.42
6	450	7.2K	28.8K	8.06	10.25
7	400	6.4K	25.6K	7.78	9.97
8	350	5.6K	22.4K	7.48	9.67
9	350	5.6K	22.4K	8.32	10.51
10	300	4.8K	19.2K	9.60	11.79
11	250	4.5K	18.0K	7.92	10.14
12	250	3.2K	12.8K	7.68	9.87
13	250	3.75K	15.0K	7.58	9.76
14	200	3.2K	12.8K	6.98	9.17
15	200	3.0K	12.0K	8.04	10.22
16	200	3.0K	12.0K	8.00	10.18

TOLERANCE	
X.	X.XXX ±0.10
X.X	±0.30
X.XX	±0.20
	Angular ±2°
	UNIT: mm
DWG TYPE. Customer Drawing	

PART NO. 2001WV-XP-XX-HF		朝貴電子股份有限公司 CKM ELECTRONICS CO., LTD.	
DRAWING NO. C- 200102XX-XX		TITLE. 2.0mm PITCH VERTICAL DIP TYPE CONNECTOR	
APPROVED BY Ivan.Su 2021.11.25	CHECKED BY Sun.Lee 2021.11.25	DRAWN BY Ryan 2021.11.25	PAGE 2 OF 2 SCALE 5 : 1
			REV. D

D	EC-21121061	UPDATE DRAWING	Ryan	2021/11/25
C		UPDATE DRAWING	WINNER	2017/06/09
REV.	ECN NO	REVISION RECORD	DRAW	DATE