

RoHS



CUST INFORMATION.

PART NO. NA	DRAWING NO. NA	REV. NA
----------------	-------------------	------------

NOTE:

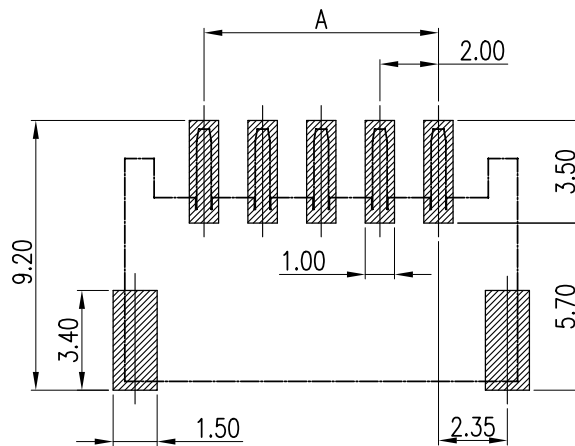
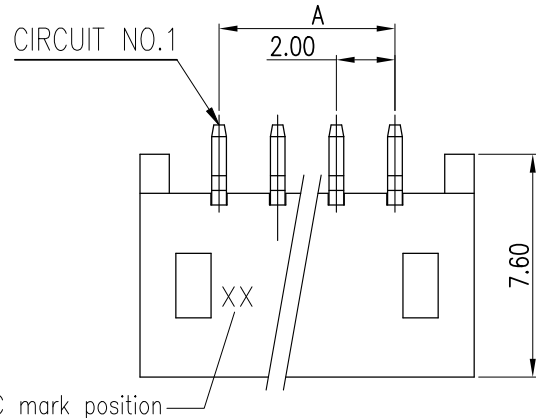
- MATERIAL:
 - INSULATOR LCP, UL 94V-0
 - CONTACT: SQ 0.50mm BRASS
 - SOLDER TAB: THICK 0.30mm BRASS
- FINISH:
 - CONTACT: MATTE TIN OR GOLD FLASH
 - SOLDER TAB: MATTE TIN PLATING
- RoHS & HALOGEN-FREE COMPLIANCE
- BILL OF PART NO.:

2001WRS-XP-XX-XX-XX-HF

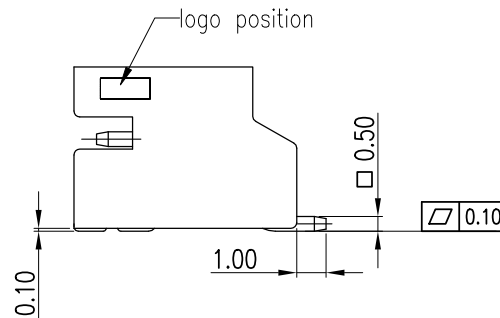
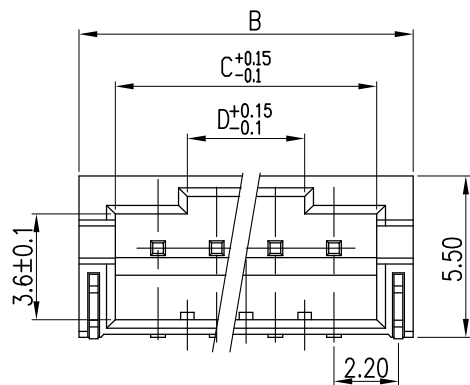
NO OF CIRCUITS: 2~16
 FINISH: A=MATTE TIN PLATING
 B=BRIGHT-TIN PLATING
 C=GOLD FLASH PLATING
 COLOR: BLANK=NATURAL OR A=BLACK

HF=HALOGEN FREE
 BLANK:WITH "CKM" LOGO
 WO:WITH OUT LOGO
 BLANK:WITH OUT"HC"MARK
 HC:WITH "HC"MARK

- FOR FINISH, AVAILABILITY, DELIVERY & MOQ, CONTACT CKM
- DIMENSIONAL



RECOMMENDED PCB LAYOUT
TOP VIEW



POS	A	B	C	D
2	2.00	7.40	4.90	0.60
3	4.00	9.40	6.90	2.00
4	6.00	11.40	8.90	4.00
5	8.00	13.40	10.90	6.00
6	10.00	15.40	12.90	8.00
7	12.00	17.40	14.90	10.00
8	14.00	19.40	16.90	12.00
9	16.00	21.40	18.90	14.00
10	18.00	23.40	20.90	16.00
11	20.00	25.40	22.90	18.00
12	22.00	27.40	24.90	20.00
13	24.00	29.40	26.90	22.00
14	26.00	31.40	28.90	24.00
15	28.00	33.40	30.90	26.00
16	30.00	35.40	32.90	28.00

TOLERANCE		PART NO. 2001WRS-XP-XX-XX-XX-HF		朝貴電子股份有限公司 CKM ELECTRONICS CO., LTD.	
X. ±0.50	X.XXX ±0.15	DRAWING NO. C-2001WRS-XP-XX-XX-XX-HF			
X.X ±0.35		APPROVED BY Ivan_Su		CHECKED BY Deliang Li	DRAWN BY Ryan
X.XX ±0.25	Angular ±5°	2021/12/22		2021/12/22	2021/12/22
UNIT: mm DWG TYPE: Customer Drawing		PAGE 1 OF 2		REV. F	
		SCALE 4 : 1			

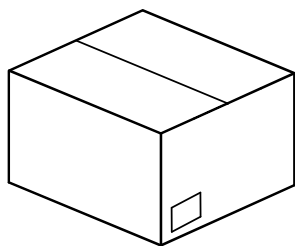
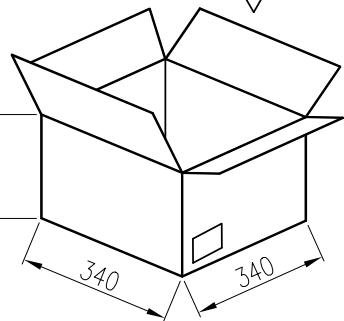
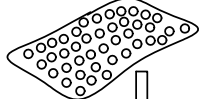
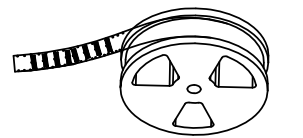
F	EC-22011101	RENEW THE DRAWING	Ryan	2021/12/22
E	EC-21080964	Add high conductivity copper printed HC with CKM black part number	Heimer	2021/05/28
REV.	ECN NO	REVISION RECORD	DRAW	DATE

RoHS

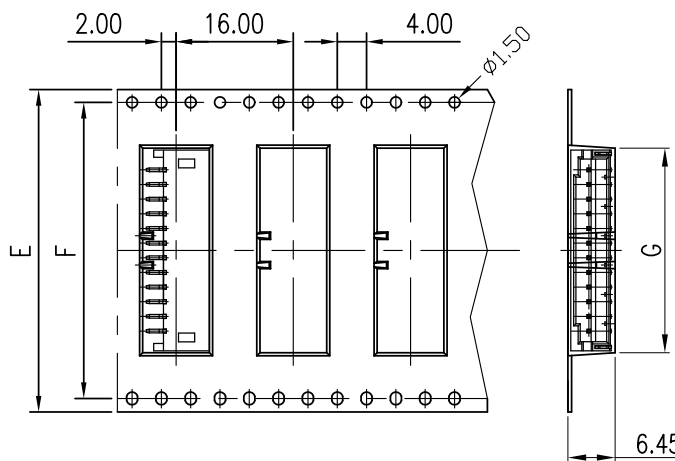
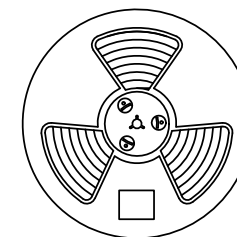
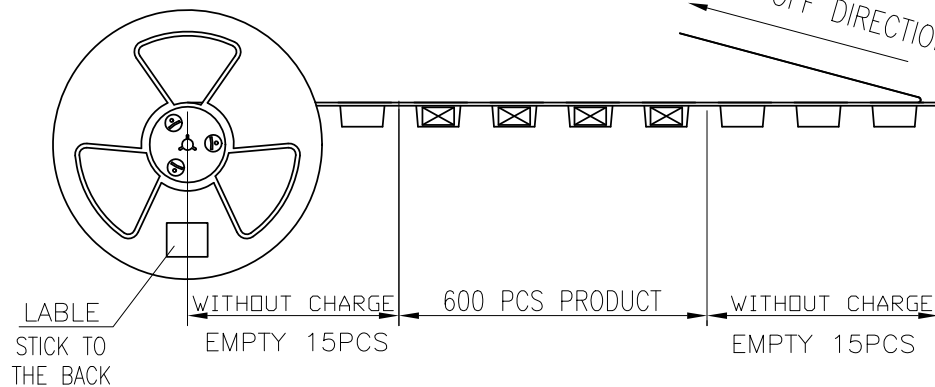
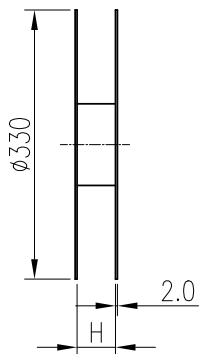


CUST INFORMATION.

PART NO. NA	DRAWING NO. NA	REV. NA
----------------	-------------------	------------



CARTON



DIMENSIONAL & ORDERING INFORMATION

POS	E	F	G	H	PCS/REEL	PCS/CARTON
2						
3						
4	32.0	28.4	15.9	33.5		3000
5						
6						
7						
8						
9	44.0	40.4	28.3	45.5	600	2400
10						
11						
12						
13						
14	56.0	52.4	35.9	57.5		1800
15						
16						



TOLERANCE		PART NO. 2001WRS-XP-XX-XX-XX-HF		朝貴電子股份有限公司 CKM ELECTRONICS CO., LTD.	
X. ± 0.50	X.XXX ± 0.15	DRAWING NO. C-2001WRS-XP-XX-XX-XX-HF			
X.X ± 0.35		APPROVED BY Ivan_Su		CHECKED BY Deliang Li	DRAWN BY Ryan
X.XX ± 0.25	Angular $\pm 5^\circ$	DWG TYPE. Customer Drawing		2021/12/22	2021/12/22
UNIT: mm		PAGE 2 OF 2		REV. F	
		SCALE 4 : 1			

F	EC-22011101	RENEW THE DRAWING	Ryan	2021/12/22
E	EC-21080964	Add high conductivity copper printed HC with CKM black part number	Heimer	2021/05/28
REV.	ECN NO	REVISION RECORD	DRAW	DATE