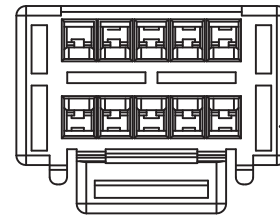
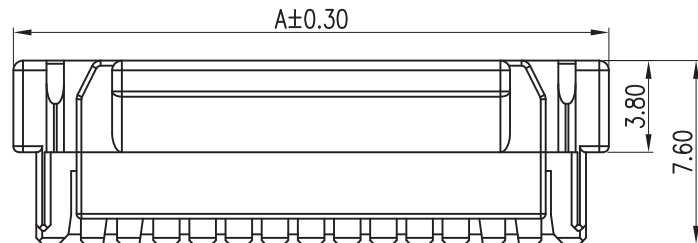
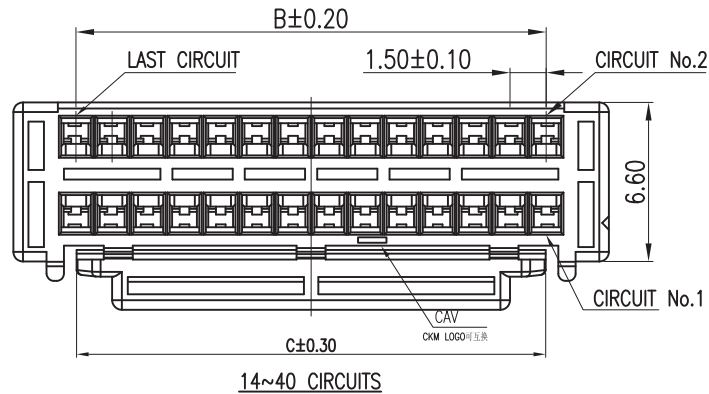


RoHS

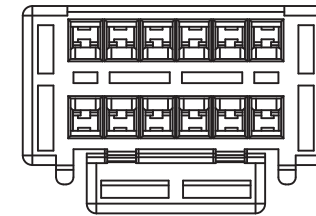
HF

CUST INFORMATION.

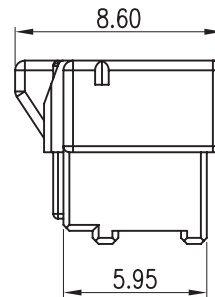
PART NO.	DRAWING NO.	REV.
J		



10 CIRCUITS



12 CIRCUITS



NOTE:

- MATERIAL: NYLON 66, UL 94V-0 (NATURAL)
- RoHS & HALOGEN FREE COMPLIANCE
- BILL OF PART NO:

1505H-XXP-X-XX-HF

LOGO: BLANK="CKM"LOGO
NS="NO"CKM"LOGO

COLOR: BLANK=NATURAL
OR A=BLACK

NO. OF CIRCUITS: 10~40PIN



- FOR COLOR, AVAILABILITY, DELIVERY & MOQ, CONTACT CKM
- DIMENSIONAL

POS	A	B	C	POS	A	B	C
10	11.2	6.0	6.2	26	23.2	18.0	17.9
12	12.7	7.5	7.4	28	24.7	19.5	19.4
14	14.2	9.0	8.9	30	26.2	21.0	20.9
16	15.7	10.5	10.4	32	27.7	22.5	22.4
18	17.2	12.0	11.9	34	29.2	24.0	23.9
20	18.7	13.5	13.4	36	30.7	25.5	25.4
22	20.2	15.0	14.9	38	32.2	27.0	26.9
24	21.7	16.5	16.4	40	33.7	28.5	28.4

TOLERANCE		PART NO.		朝貴電子股份有限公司		
X. ±0.50	X.XXX ±0.15	1505H-XXP-X-XX-HF		CKM ELECTRONICS CO., LTD.		
X.X ±0.35		DRAWING NO.		TITLE. 1.5mm PITCH VERTICAL SMT TYPE HSG		
X.XX ±0.25	Angular ±5°	C-1505H-XXP-X-XX-HF				
UNIT: mm		APPROVED BY	CHECKED BY	DRAWN BY	PAGE	REV.
DWG TYPE. Customer Drawing		IVAN	李德亮	邱建亮	10F2	X1
		2022.3.8	2022.3.8	2022.3.8	SCALE 4:1	

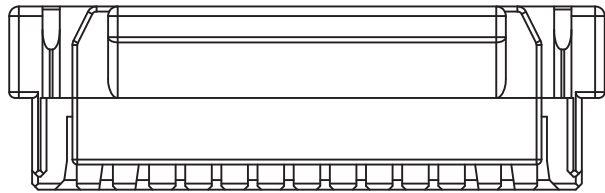
X1		NEW RELEASE	邱建亮	2022.3.8
REV.	ECN NO	REVISION RECORD	DRAW	DATE

RoHS

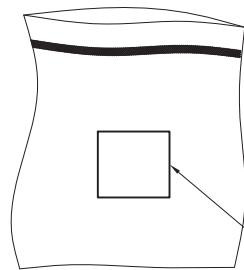


CUST INFORMATION.

PART NO. J	DRAWING NO.	REV.
---------------	-------------	------

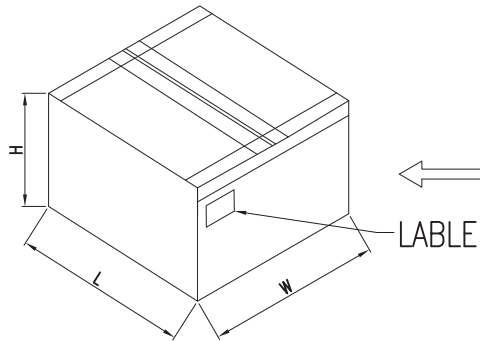
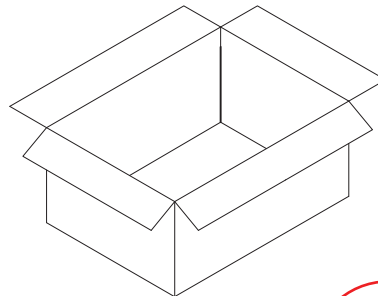


PRODUCT



LABLE

2000 OR 3000PCS/BAG



LABLE

POS.	PCS/BAG	PCS/CARTON	NET WEIGHT (KG)	CROSS WEIGHT (KG)
10	3000	30000	9	10
12			10.11	11.11
14			11.25	12.25
16			12.33	13.33
18			13.41	14.41
20			14.52	15.52
22			15.63	16.63
24			16.71	17.71
26			17.67	18.67
28			2000	20000
30	13.2	14.2		
32	13.9	14.9		
34	14.6	15.6		
36	15.3	16.3		
38	16.24	17.24		
40	16.94	17.94		



POS	CARTON L*W*H
10~40	320*220*155mm

TOLERANCE X. ±0.50 X.XXX ±0.15 X.X ±0.35 X.XX ±0.25 Angular ±5°		PART NO. 1505H-XXP-X-XX-HF		CKM 朝貴電子股份有限公司 CKM ELECTRONICS CO., LTD.	
UNIT: mm DWG TYPE. Customer Drawing		DRAWING NO. C-1505H-XXP-X-XX-HF		TITLE. 1.5mm PITCH VERTICAL SMT TYPE HSG	
APPROVED BY IVAN 2022.3.8		CHECKED BY 李德亮 2022.3.8		DRAWN BY 邱建亮 2022.3.8	
		PAGE 20F2		REV. X1	
		SCALE 4:1			

X1		NEW RELEASE	邱建亮	2022.3.8
REV.	ECN NO	REVISION RECORD	DRAW	DATE