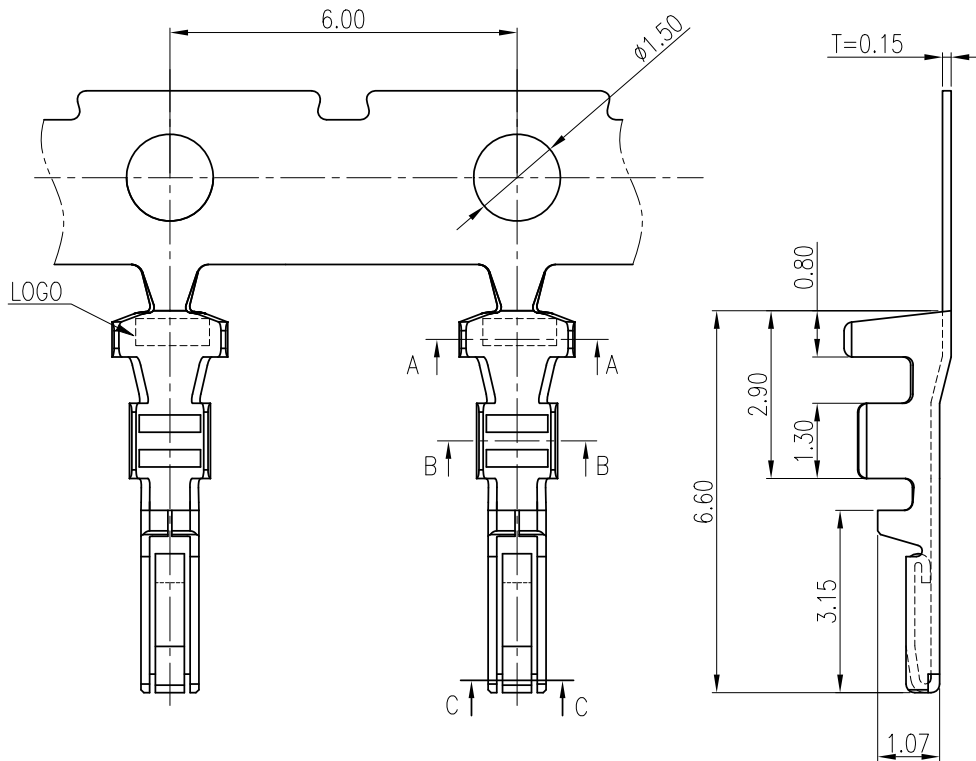


RoHS

CUST INFORMATION.

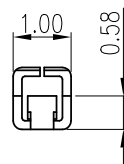
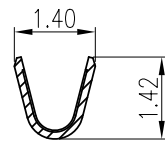
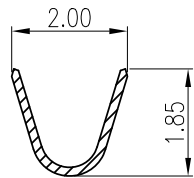
PART NO.	DRAWING NO.	REV.
----------	-------------	------



1. MATERIAL: 0.15mm THICK PHOSPHOR BRONZE
2. PLATED: BRIGHT TIN PLATED
3. APPLICABLE WIRES:AWG#24 ~ AWG#28
4. INSULATION O.D.:  $\phi 0.76\text{mm}$  TO  $\phi 1.20\text{mm}$
5. RoHS COMPLIANT
6. BILL OF PART NO:  
1505TOP-XX-XX

LOGO  
 BLANK="CKM" LOGO  
 NS= W/O "CKM" LOGO  
 FINISH: B2=POST-BRIGHT TIN PLATED

7. FOR AVAILABILITY, DELIVERY & MOQ, CONTACT CKM



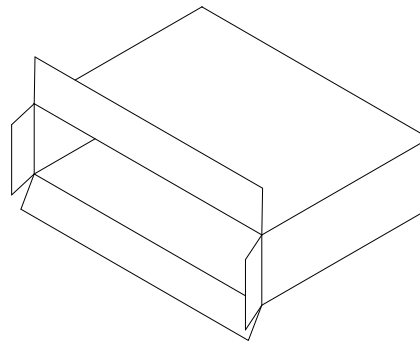
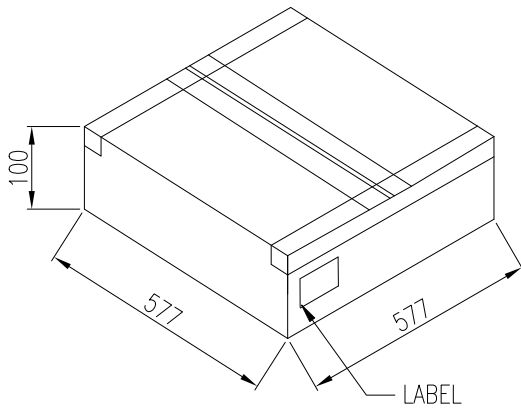
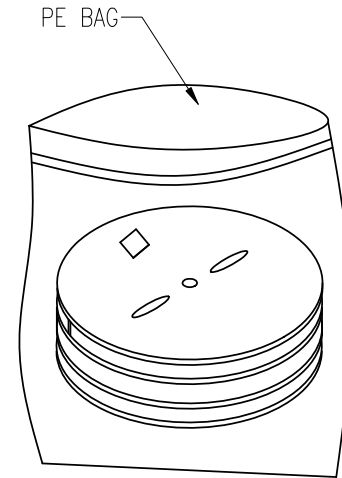
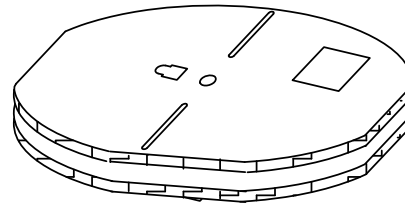
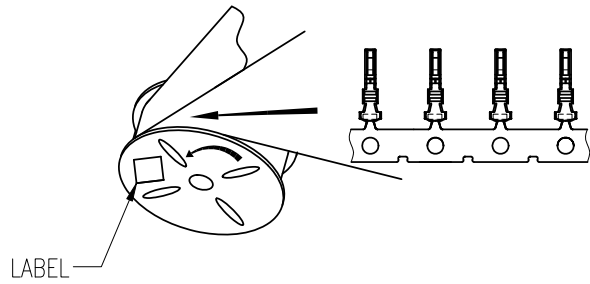
<b>TOLERANCE</b> X. $\pm 0.50$ X.XXX $\pm 0.15$ X.X $\pm 0.35$ X.XX $\pm 0.25$ Angular $\pm 5^\circ$		PART NO. 1505TOP-XX-XX		朝貴電子股份有限公司 CKM ELECTRONICS CO., LTD.	
UNIT: mm <b>DWG TYPE.</b> Customer Drawing		DRAWING NO. C-1505TOP-XX-XX		TITLE. 1.5mm PITCH CRIMP TERMINAL	
APPROVED BY	CHECKED BY	DRAWN BY	PAGE	REV.	
IVAN	Sun.Lee	Rock	10F2	A	
2023.04.26	2023.04.26	2023.04.26	SCALE		
			8:1		

REV.	ECN NO	REVISION RECORD	DRAW	DATE
A		NEW RELEASE	Rock	2023.04.26

RoHS

CUST INFORMATION.

PART NO.	DRAWING NO.	REV.
----------	-------------	------



PART NO.	PCS/REEL	PCS/CARTON
1505TOP-XX-XX	15K	45K

<b>TOLERANCE</b> X. ±0.50 X.XXX ±0.15 X.X ±0.35 X.XX ±0.25 Angular ±5°		<b>PART NO.</b> 1505TOP-XX-XX		朝貴電子股份有限公司 CKM ELECTRONICS CO., LTD.	
UNIT: mm		<b>DRAWING NO.</b> C-1505TOP-XX-XX		<b>TITLE.</b> 1.5mm PITCH CRIMP TERMINAL	
<b>DWG TYPE.</b> Customer Drawing		<b>APPROVED BY</b> IVAN 2023.04.26	<b>CHECKED BY</b> Sun.Lee 2023.04.26	<b>DRAWN BY</b> Rock 2023.04.26	<b>PAGE</b> 20F2 <b>SCALE</b> 8:1
				<b>REV.</b> A	

REV.	ECN NO	REVISION RECORD	DRAW	DATE
		NEW RELEASE	Rock	2023.04.26