

Specifications:

- Circuit: 10~40 Poles
- Pitch: 1.50mm
- Rated Voltage: 100V AC,DC
- Rated Current: 2A MAX (AWG #24)
- Withstand Voltage: 500V AC/minute
- Contact Resistance: 30mΩ Max.
- Insulation Resistance: 500MΩ Min.
- Temperature Range: -40°~+105°C
- Applicable Wire Range: AWG #28~#24
- Insulation O.D.: $\varnothing 0.8$ to $\varnothing 1.2$ mm

 RoHS-Specification

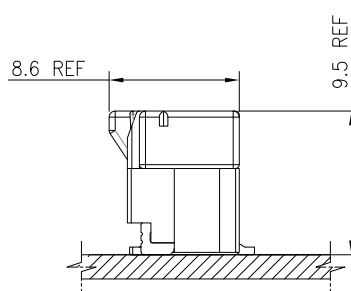
 Halogen-free products

Features

- Locking structure:
 - Save space, prevent tangling and vibration from falling off
- Various Pin number and multiple color options:
 - Multi-signal transmission possible and offer design flexibility
 - Low insertion force
 - Suction area for picking up
- Improvement of engagement with prying:
 - Better separation methods

Assembly Layout

Vertical Type



Ordering Code

① ② ③ ④ ⑤
1505 H -XXP -X -HF

- ① Series No.
- ② Housing
- ③ No. of circuits: 10-40
- ④ Color Code: Blank(Natural) or X(Other)
- ⑤ HF: Halogen Free

① ②③④ ⑤
1505 TOP -BX

- ① Series No.
- ② Terminal
- ③ Crimp Type: 0=Standard Type
- ④ Material: Phosphor bronze
- ⑤ Plated Code: B1=Pre-Tin Plated
B2=Post-Tin Plated

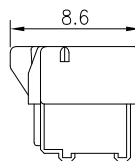
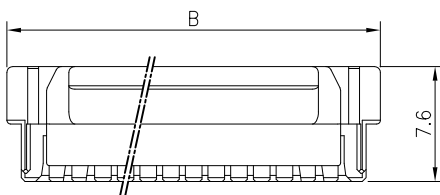
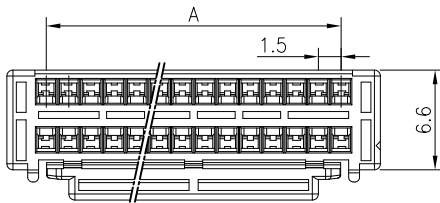
① ②③④ ⑤ ⑥⑦ ⑧
1505 WVS -XXP -AX -HF

- ① Series No.
- ② Wafer
- ③ Entry Type: V=Vertical
- ④ Solder Type: S=SMT Type
- ⑤ No. of circuits: 10-40
- ⑥ Plating code: A=Matte Tin
- ⑦ Color Code: Blank(Natural) or X(Other)
- ⑧ HF: Halogen Free

Note: * (eg. A, B, X...) designates Plated thickness identification.
 For availability, delivery, color and MOQ, contact CKM.

Housing

- 1.5mm pitch housing
- Material: PA66, UL 94V-0
- Suitable for CKM 1505 series terminal
- For color, availability, delivery & MOQ, contact CKM
- CKM P/N: 1505H-XXP-X-HF

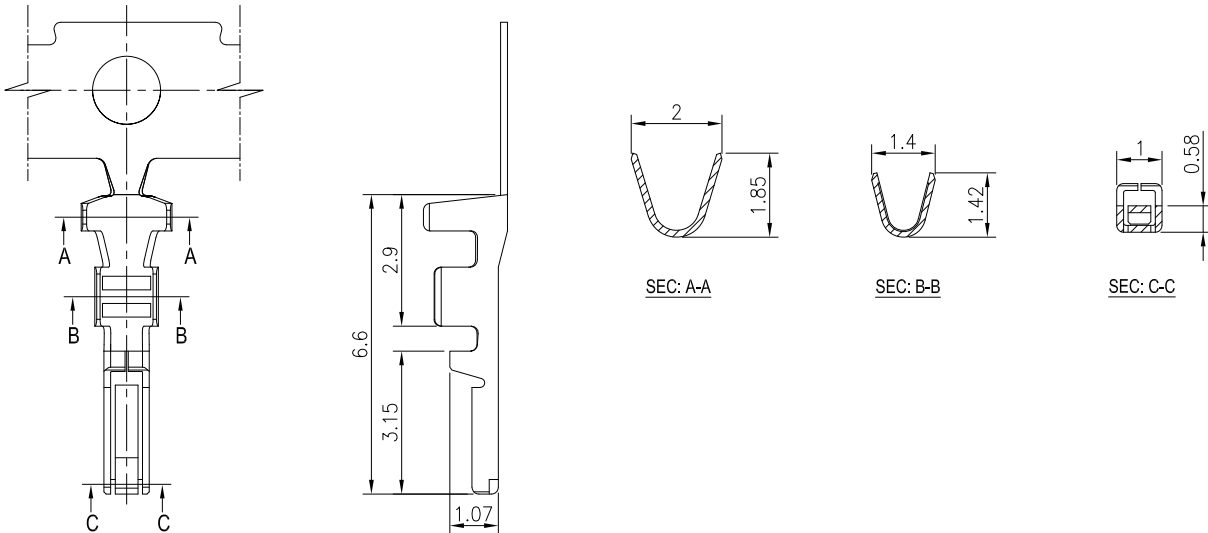


Dimensional

POS	A	B
10	6.0	11.2
12	7.5	12.7
14	9.0	14.2
16	10.5	15.7
18	12.0	17.2
20	13.5	18.7
22	15.0	20.2
24	16.5	21.7
26	18.0	23.2
28	19.5	24.7
30	21.0	26.2
32	22.5	27.7
34	24.0	29.2
36	25.5	30.7
38	27.0	32.2
40	28.5	33.7

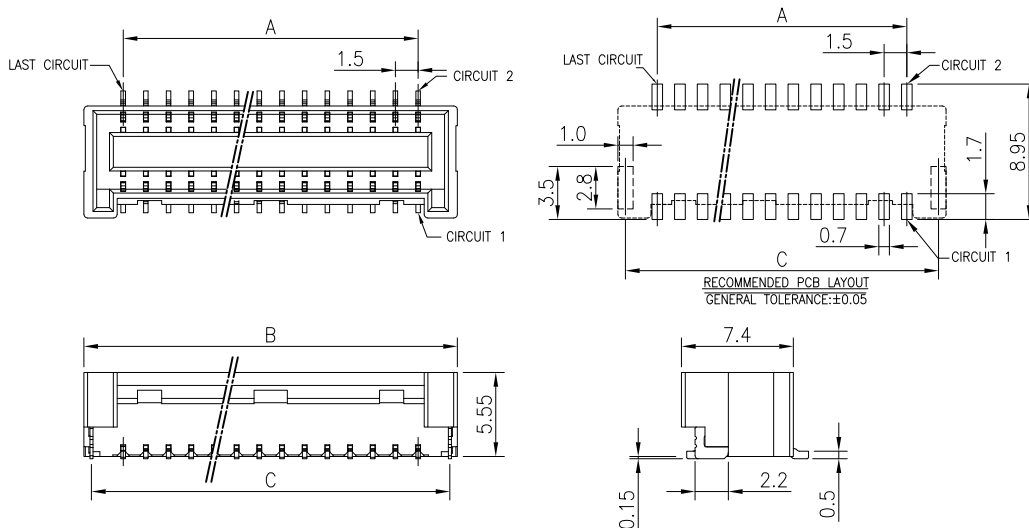
Terminal

- 1.5mm pitch crimp terminal
- Material: 0.15mm thick phosphor bronze, Tin plating
- Used in CKM 1505 series housing
- For finish, availability, delivery & MOQ, contact CKM
- CKM P/N: 1505T0P-BX



Wafer Vertical

- 1.5mm pitch vertical SMT type
- Material: Insulator: LCP, UL 94V-0
Contact Post: 0.30mm thick Phosphor Bronze, Tin plating
- Mates with CKM 1505 series housing
- For finish, color, availability, delivery & MOQ, contact CKM
- CKM P/N: 1505WVS-XXP-AX-HF



Dimensional

POS	A	B	C
10	6.0	11.2	10.2
12	7.5	12.7	11.7
14	9.0	14.2	13.2
16	10.5	15.7	14.7
18	12.0	17.2	16.2
20	13.5	18.7	17.7
22	15.0	20.2	19.2
24	16.5	21.7	20.7
26	18.0	23.2	22.2
28	19.5	24.7	23.7
30	21.0	26.2	25.2
32	22.5	27.7	26.7
34	24.0	29.2	28.2
36	25.5	30.7	29.7
38	27.0	32.2	31.2
40	28.5	33.7	32.7