

Specifications:

Circuit	2~16 Poles
Pitch between poles	2.00mm
Rated Voltage	100V AC,DC
Rated Current	2.0A (AWG #24)
Withstand Voltage	500V AC/minute
Contact Resistance	30mΩ Max.
Insulation Resistance	500MΩ Min.
Temperature Range	-25°~+85°C
Applicable Wire Range	AWG #24~#30

UL: Recognized No. E186634

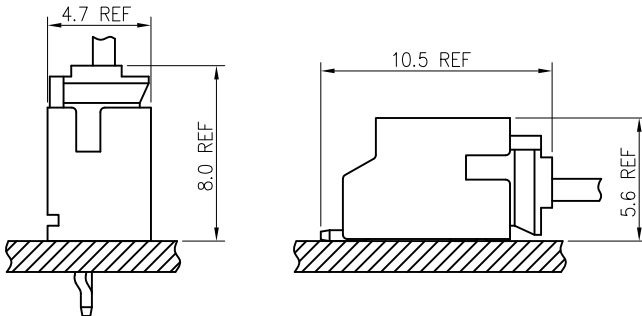
CSA: Certified No. LR110611

RoHS-Specification

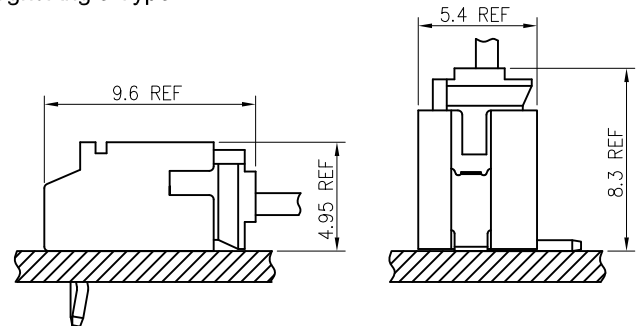
Halogen-free products

Assembly Layout

Vertical Type



Right Angle Type



Ordering Code

① ② ③ ④ ⑤
2001 H -XP -X -HF

- ① Series No.
- ② Housing
- ③ No. of circuits: 2~15
- ④ Color Code: Blank(Natural) or X(Other)
- ⑤ HF: Halogen Free (or not)

① ② ③④ ⑤
2001 T -XX -XX

- ① Series No.
- ② Terminal
- ③ Crimp Type: 0=Standart Type
- ④ Material: Copper alloy
- ⑤ Plated Code: B1=Per-Tin Plated
B2=Post-Tin Plated

① ②③④ ⑤ ⑥⑦ ⑧
2001 WXX -XP -XX -HF

- ① Series No.
- ② Wafer
- ③ Entry Type: WV=Vertical
WR=Right angle
- ④ Solder Type: Blank=DIP Type
S=SMT Type
- ⑤ No. of circuits: 2~16
- ⑥ Plating code: A=Matte Tin
B=Bright Tin
C=Gold
- ⑦ Color Code: Blank(Natural) or A(Black)
- ⑧ HF: Halogen Free (or not)

Note: * (eg. A, B, X...) designates Plated thickness identification.
For availability, delivery, color and MOQ, contact CKM.

2001 Series

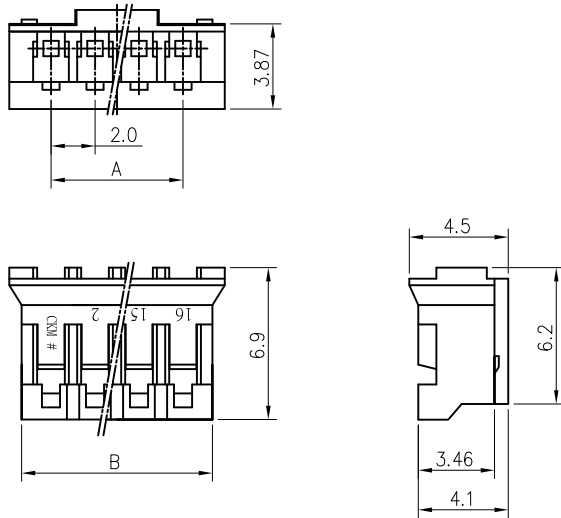
2.00mm[.079] pitch Crimp Terminal Socket



Features:

- * Single Row Terminal Socket
- * Material : Nylon 66 UL 94V-0 (White)
- * Suitable for CKM 2001 series terminal
- * CKM P/N : 2001H-XP-X-XX

Dimensional & Ordering Information:



POS	Dimensions	
	A	B
2	/	4.7
3	4.0	6.7
4	6.0	8.7
5	8.0	10.7
6	10.0	12.7
7	12.0	14.8
8	14.0	16.8
9	16.0	18.8
10	18.0	20.8
11	20.0	22.8
12	22.0	24.8
13	24.0	26.8
14	26.0	28.8
15	28.0	30.8
16	30.0	32.8

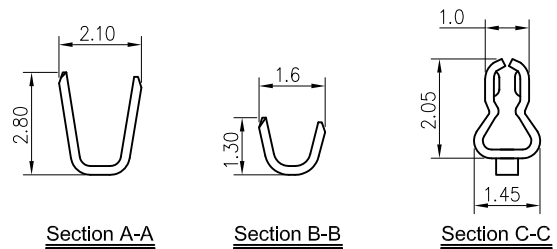
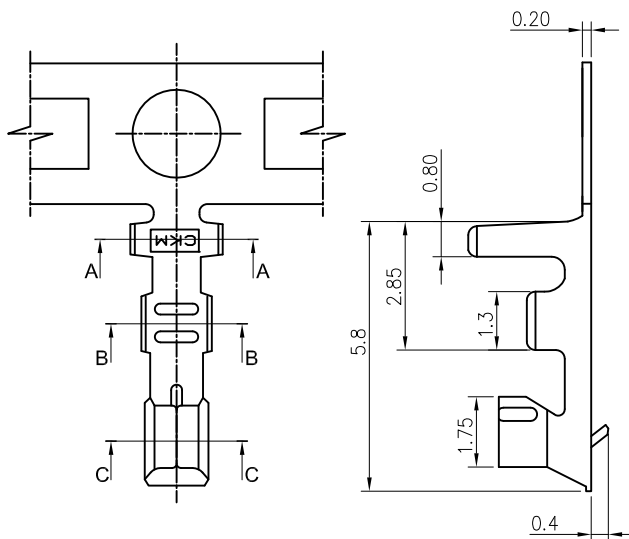
Note: X (eg. A, XX...) Designates Color, Material, identification.
For availability, delivery and MOQ, Please contact CKM.

2001 Series

2.00mm[.079] pitch Crimp Terminal

Features:

- * Used in CKM 2001 series socket
- * Material : 0.20mm thick Copper alloy, Tin-plated
- * CKM P/N : 2001T0X-XX



Dimensional & Ordering Information:

Part No	2001T0X-BX
Wire Range	AWG #24~#30
Insulation O.D.	0.90~1.30mm
Material	Copper alloy
Finish	Tin-Plated
Qty / reel	10,000 pcs

Note: * (eg. 0, A, B...) designates Au-plate thickness identification.
For availability, delivery and MOQ, Please contact CKM.

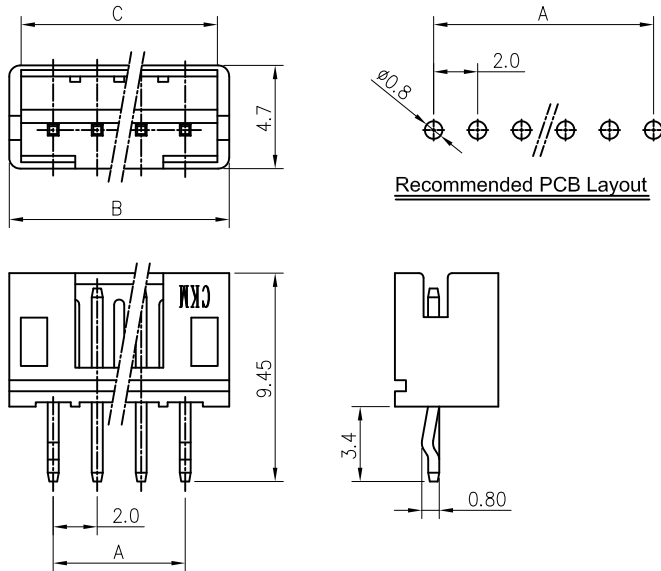
2001 Series

2.00mm[.079] pitch wafer (Vertical-DIP Type)



Features:

- * Single Row Vertical-DIP Type Wafer
- * Material : Insulator: Thermoplastic UL 94V-0 (Natural)
Contact Post: SQ. 0.50mm Brass, Tin-plated
- * Mates with CKM 2001 Series socket
- * CKM P/N : 2001WV-XP-XX-HF



Dimensional & Ordering Information:

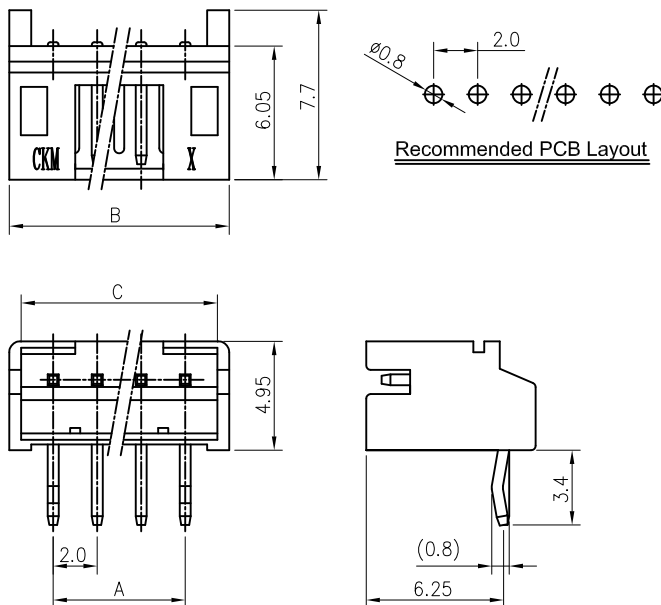
POS	Dimensions		
	A	B	C
2	2.0	6.0	4.9
3	4.0	8.0	6.9
4	6.0	10.0	8.9
5	8.0	12.0	10.9
6	10.0	14.0	12.9
7	12.0	16.0	14.9
8	14.0	18.0	16.9
9	16.0	20.0	18.9
10	18.0	22.0	20.9
11	20.0	24.0	22.9
12	22.0	26.0	24.9
13	24.0	28.0	26.9
14	26.0	30.0	28.9
15	28.0	32.0	30.9
16	30.0	34.0	32.9

2001 Series

2.00mm[.079] pitch wafer (Right Angle-DIP Type)

Features:

- * Single Row Right Angle-DIP Type Wafer
- * Material : Insulator: Thermoplastic UL 94V-0 (Natural)
Contact Post: SQ. 0.50mm Brass, Tin-plated
- * Mates with CKM 2001 Series socket
- * CKM P/N : 2001WR-XP-XX-HF



Dimensional & Ordering Information:

POS	Dimensions		
	A	B	C
2	2.0	6.0	4.9
3	4.0	8.0	6.9
4	6.0	10.0	8.9
5	8.0	12.0	10.9
6	10.0	14.0	12.9
7	12.0	16.0	14.9
8	14.0	18.0	16.9
9	16.0	20.0	18.9
10	18.0	22.0	20.9
11	20.0	24.0	22.9
12	22.0	26.0	24.9
13	24.0	28.0	26.9
14	26.0	30.0	28.9
15	28.0	32.0	30.9
16	30.0	34.0	32.9

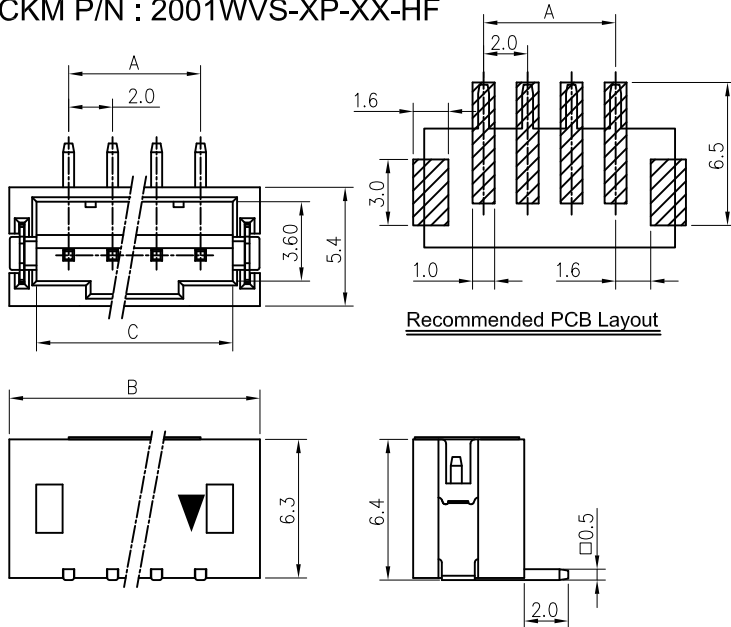
2001 Series

2.00mm[.079] pitch wafer (Vertical-SMT Type)



Features:

- * Single Row Vertical-SMT Type Wafer
- * Material : Insulator: High Temp Thermoplastic UL 94V-0
Contact Post: SQ. 0.50mm Brass, Tin-plated
Solder Tab: 0.20mm thick Brass, Tin-plated
- * Mates with CKM 2001 series socket
- * CKM P/N : 2001WVS-XP-XX-HF



Dimensional & Ordering Information:

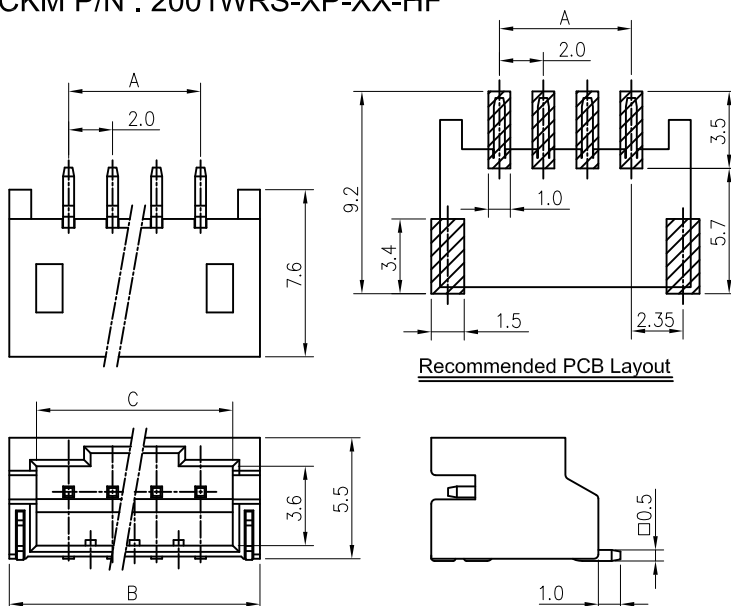
POS	Dimensions		
	A	B	C
2		7.4	4.9
3	4.0	9.4	6.9
4	6.0	11.4	8.9
5	8.0	13.4	10.9
6	10.0	15.4	12.9
7	12.0	17.4	14.9
8	14.0	19.4	16.9
9	16.0	21.4	18.9
10	18.0	23.4	20.9
11	20.0	25.4	22.9
12	22.0	27.4	24.9
13	24.0	29.4	26.9
14	26.0	31.4	28.9
15	28.0	33.4	30.9
16	30.0	35.4	32.9

2001 Series

2.00mm[.079] pitch wafer (Right Angle-SMT Type)

Features:

- * Single Row Right Angle-SMT Type Wafer
- * Material : Insulator: High Temp Thermoplastic UL 94V-0
Contact Post: SQ. 0.50mm Brass, Tin or Gold-plated
Solder Tab: 0.30mm thick Brass, Tin-plated
- * Mates with CKM 2001 series socket
- * CKM P/N : 2001WRS-XP-XX-HF



Dimensional & Ordering Information:

POS	Dimensions		
	A	B	C
2	2.0	7.4	4.9
3	4.0	9.4	6.9
4	6.0	11.4	8.9
5	8.0	13.4	10.9
6	10.0	15.4	12.9
7	12.0	17.4	14.9
8	14.0	19.4	16.9
9	16.0	21.4	18.9
10	18.0	23.4	20.9
11	20.0	25.4	22.9
12	22.0	27.4	24.9
13	24.0	29.4	26.9
14	26.0	31.4	28.9
15	28.0	33.4	30.9
16	30.0	35.4	32.9