

Specifications:

Circuit	2~15 Poles
Pitch between poles	1.50mm
Rated Voltage	100V AC,DC
Rated Current	2A (AWG #24)
Withstand Voltage	500V AC/minute
Contact Resistance	20mΩ Max.
Insulation Resistance	500MΩ Min.
Temperature Range	-40°C ~ +105°C
Applicable Wire Range	AWG #28~#24

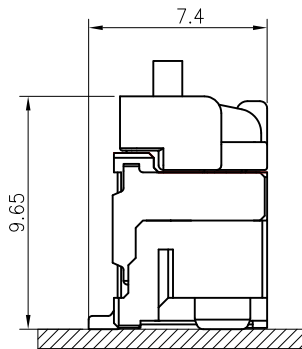
 UL: Recognized No. E186634

 RoHS-Specification

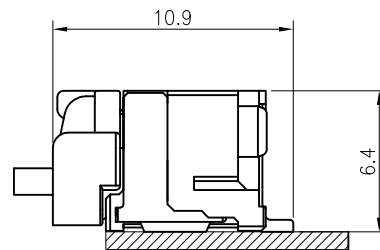
 Halogen-free products

Assembly Layout

Vertical Type



Right Angle Type



Ordering Code

① ② ③ ④ ⑤
1503 H -XP -X -HF

- ① Series No.
- ② Housing
- ③ No. of circuits: 2~15
- ④ Color Code: Blank(Natural) or X(other)
- ⑤ HF: Halogen Free

① ② ③④ ⑤
1503 T -0P -XX

- ① Series No.
- ② Terminal
- ③ Crimp Type: 0=Standart Type
- ④ Material: P=Phosphor bronze
- ⑤ Plated Code: B1=Per-Tin Plated
B2=Post-Tin Plated

① ②③④ ⑤ ⑥⑦ ⑧
1503 WXX -XP -XX -HF

- ① Series No.
- ② Wafer
- ③ Entry Type: WV=Vertical
WR=Right angle
- ④ Solder Type: S=SMT Type
- ⑤ No. of circuits: 2~15
- ⑥ Plating code: A=Matte Tin
C=Gold
- ⑦ Color Code: Blank(Natural) or X(other)
- ⑧ HF: Halogen Free

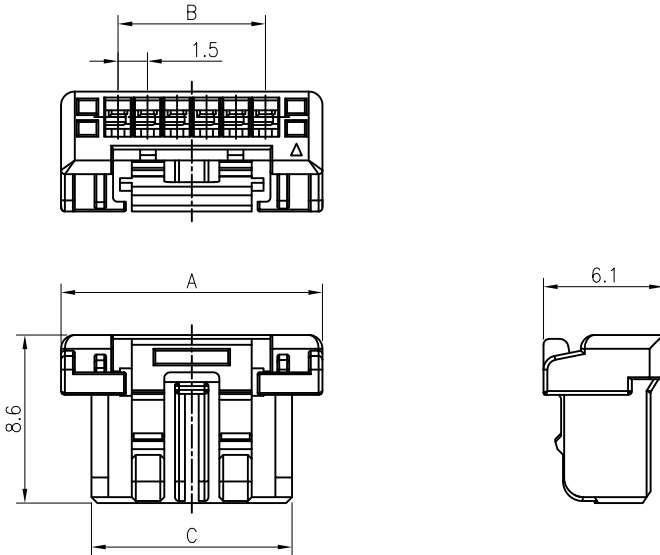
1503 Series

1.50mm[.059] pitch Crimp Terminal Socket



Features:

- * Single Row Terminal Socket
- * Material : Nylon 66 UL 94V-0 (Natural)
- * Suitable for CKM 1503 series terminal
- * CKM P/N : 1503H-XP-X-HF



Dimensional & Ordering Information:

POS	Dimensions		
	A	B	C
2	7.30	/	4.20
3	8.80	3.00	5.70
4	10.30	4.50	7.20
5	11.80	6.00	8.70
6	13.30	7.50	10.20
7	14.80	9.00	11.70
8	16.30	10.50	13.20
9	17.80	12.00	14.70
10	19.30	13.50	16.20
11	20.80	15.00	17.70
12	22.30	16.50	19.20
13	23.80	18.00	20.70
14	25.30	19.50	22.20
15	26.80	21.00	23.70

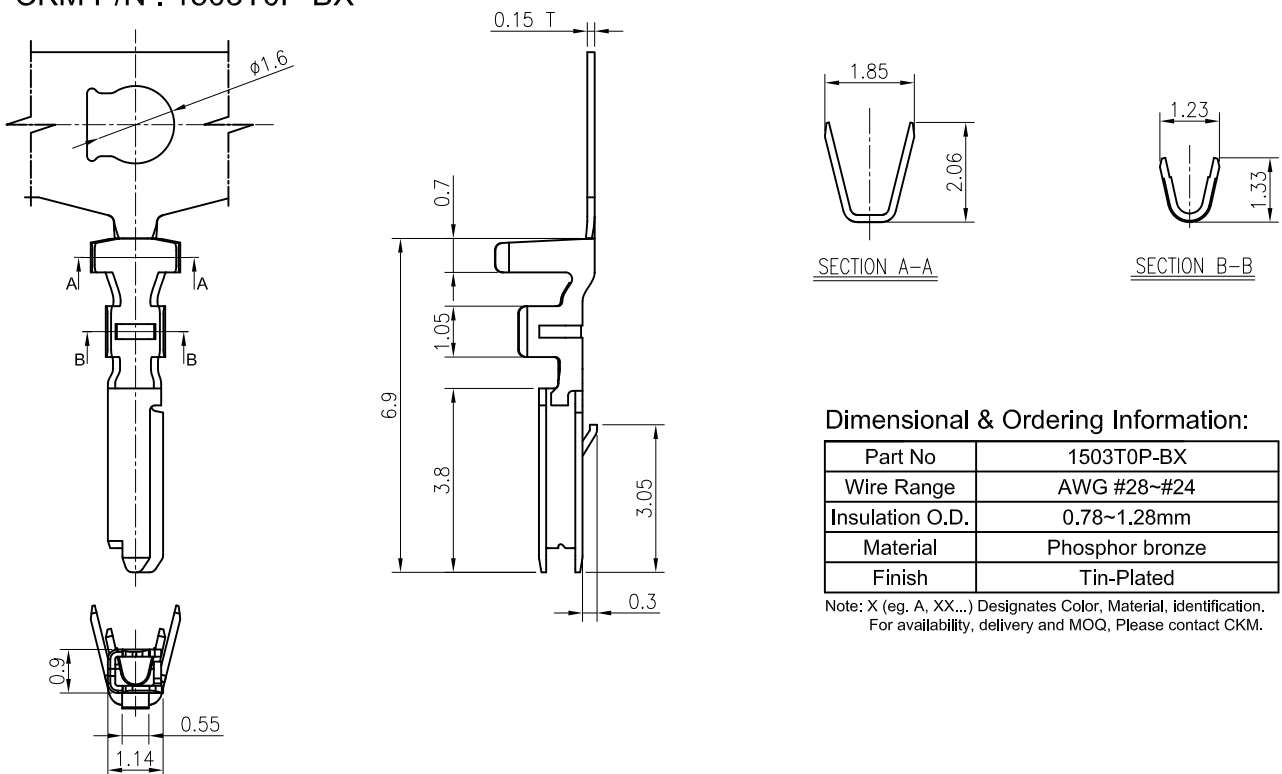
Note: X (eg. A, XX...) Designates Color, Material, identification.
For availability, delivery and MOQ, Please contact CKM.

1503 Series

1.50mm[.059] pitch Crimp Terminal

Features:

- * Used in CKM 1503 series socket
- * Material : 0.15mm thick Phosphor bronze, Tin or Gold plated
- * CKM P/N : 1503T0P-BX



Dimensional & Ordering Information:

Part No	1503T0P-BX
Wire Range	AWG #28~#24
Insulation O.D.	0.78~1.28mm
Material	Phosphor bronze
Finish	Tin-Plated

Note: X (eg. A, XX...) Designates Color, Material, identification.
For availability, delivery and MOQ, Please contact CKM.

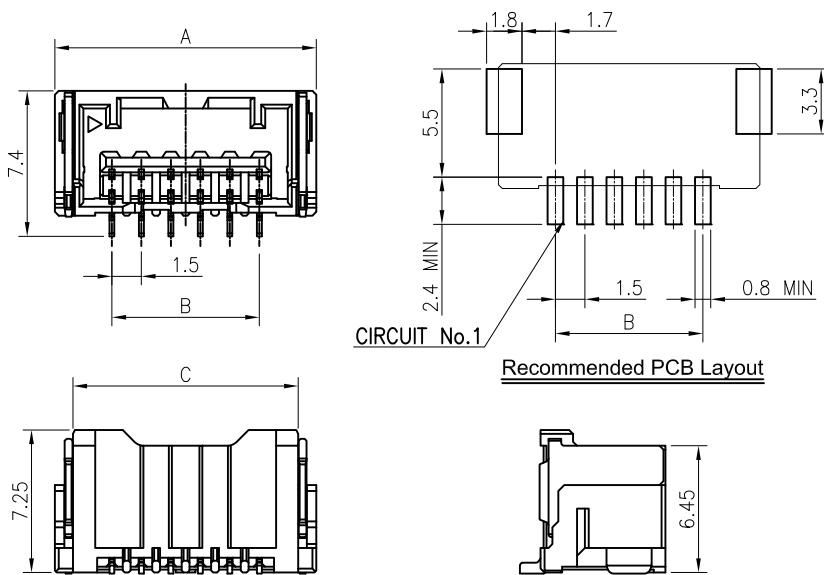
1503 Series

1.50mm[.059] pitch Wafer (Vertical-SMT Type)



Features:

- * Single Row Vertical-SMT Type Wafer
- * Material : Insulator: High Temp Thermoplastic UL 94V-0 (Natural)
Contact: 0.25mm thick Copper alloy, Tin-plated or Gold Plated
- * Mates with CKM 1503 series socket
- * CKM P/N : 1503WVS-XP-XX-HF



Dimensional & Ordering Information:

POS	Dimensions		
	A	B	C
2	7.30	/	5.5
3	8.80	3.00	7.0
4	10.30	4.50	8.5
5	11.80	6.00	10.0
6	13.30	7.50	11.5
7	14.80	9.00	13.0
8	16.30	10.50	14.5
9	17.80	12.00	16.0
10	19.30	13.50	17.5
11	20.80	15.00	19.0
12	22.30	16.50	20.5
13	23.80	18.00	22.0
14	25.30	19.50	23.5
15	26.80	21.00	25.0

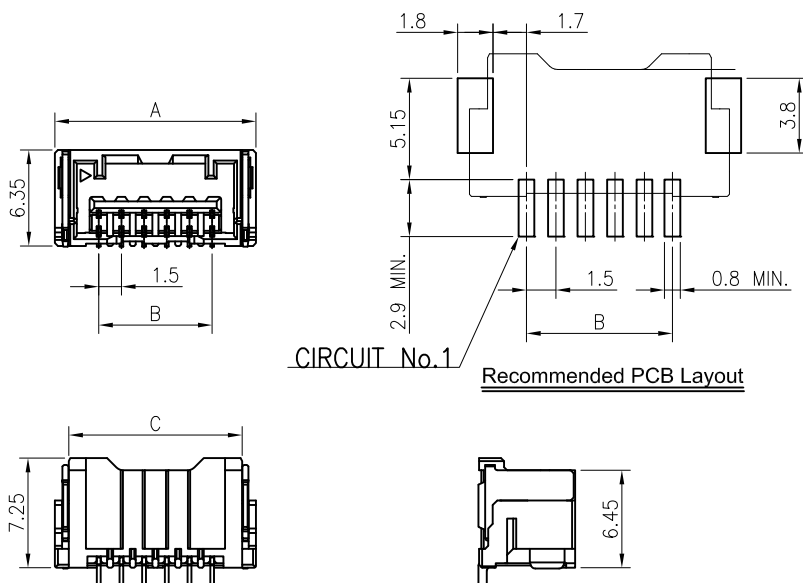
Note: X (eg. A, XX...) Designates Color, Material, identification.
For availability, delivery and MOQ, Please contact CKM.

1503 Series

1.50mm[.059] pitch Wafer (Right Angle-SMT Type)

Features:

- * Single Row Right Angle-SMT Type Wafer
- * Material : Insulator: High Temp Thermoplastic UL 94V-0 (Natural)
Contact: 0.25mm thick Copper alloy, Tin-plated
- * Mates with CKM 1503 series socket
- * CKM P/N : 1503WRS-XP-XX-HF



Dimensional & Ordering Information:

POS	Dimensions		
	A	B	C
2	7.30	/	5.5
3	8.80	3.00	7.0
4	10.30	4.50	8.5
5	11.80	6.00	10.0
6	13.30	7.50	11.5
7	14.80	9.00	13.0
8	16.30	10.50	14.5
9	17.80	12.00	16.0
10	19.30	13.50	17.5
11	20.80	15.00	19.0
12	22.30	16.50	20.5
13	23.80	18.00	22.0
14	25.30	19.50	23.5
15	26.80	21.00	25.0

Note: X (eg. A, XX...) Designates Color, Material, identification.
For availability, delivery and MOQ, Please contact CKM.