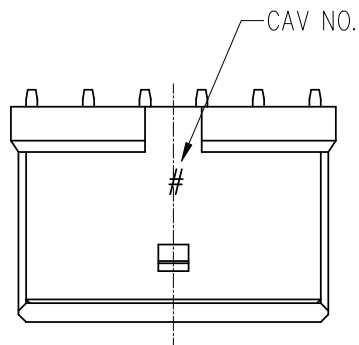


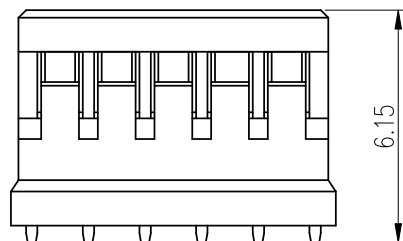
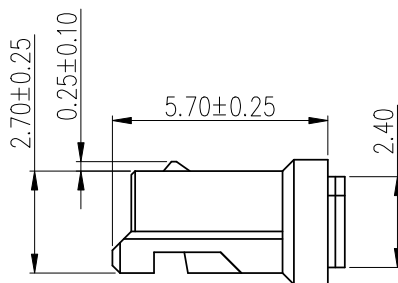
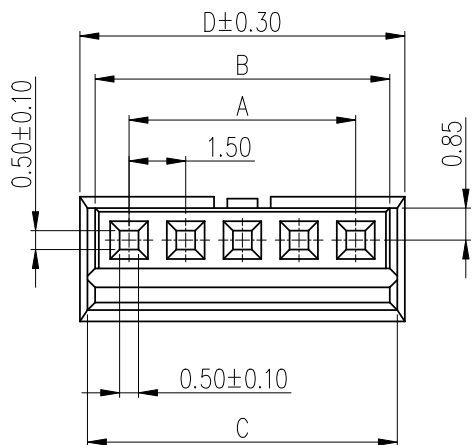
1
RoHS

2
HF






NOTE:

- 1. MATERIAL: NYLON 66 UL94 V-0
- 2. RoHS & HF COMPLIANCE
- 3. BILL OF PART NO.
1502H-XP-X-HF
 - HALOGEN FREE
 - COLOR: BLANK OR A THRU Z
- NO OF CIRCUITS: 02~15
- 4. FOR COLOR, AVAILABILITY, DELIVERY & MOQ, CONTACT CKM
- 5. DIMENSIONAL



POS.	A	B	C	D
2	1.5	3.3	3.7	4.1
3	3.0	4.8	5.2	5.6
4	4.5	6.3	6.7	7.1
5	6.0	7.8	8.2	8.6
6	7.5	9.3	9.7	10.1
7	9.0	10.8	11.2	11.6
8	10.5	12.3	12.7	13.1
9	12.0	13.8	14.2	14.6
10	13.5	15.3	15.7	16.1
11	15.0	16.8	17.2	17.6
12	16.5	18.3	18.7	19.1
13	18.0	19.8	20.2	20.6
14	19.5	21.3	21.7	22.1
15	21.0	22.8	23.2	23.6

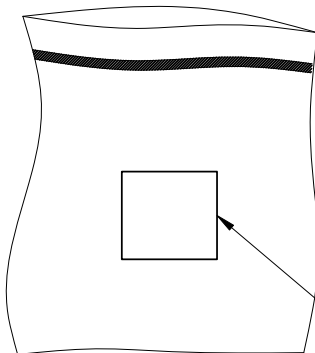
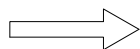
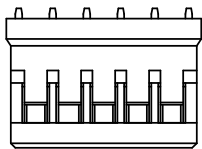
CKM
2017.01.11
研發部

TOLERANCE		PART NO.		 朝貴電子股份有限公司 CKM ELECTRONICS CO., LTD.		
X. XXX ±0.10	X.X ±0.30	1502H-XP-X-HF				
X.XX ±0.20	Angular ±2°	DRAWING NO.		DESCRIPTION		
 	UNIT: mm	C-15020101		WTB 1.50mm PLUG HOUSING		
DWG TYPE.		APPROVED BY	CHECKED BY	DRAWN BY	PAGE	REV.
Customer Drawing					1 OF 2	B
					SCALE	
					5 : 1	

B		ADDS PACKING DIAGRAM	Rock	2017.01.07
A		NEW RELEASE	Rock	2016.06.17
REV.	ECN NO	REVISION RECORD	DRAW	DATE

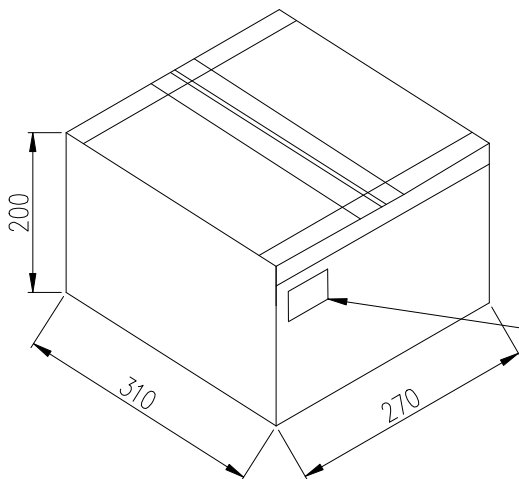
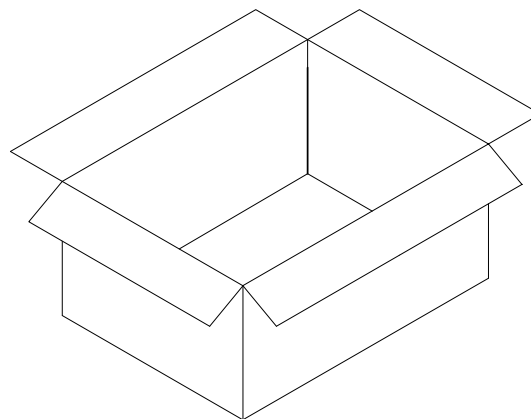
RoHS

HF



LABLE

1000PCS/BAG



LABLE

POS.	PCS/BAG	PCS/CARTON	NET WEIGHT (KG)	CROSS WEIGHT (KG)
2	1000	80,000	3.20	4.45
3	1000	70,000	3.85	5.05
4	1000	60,000	4.20	5.35
5	1000	50,000	4.25	5.35
6	1000	45,000	4.28	5.35
7	1000	35,000	3.68	4.70
8	1000	30,000	3.45	4.45
9	1000	30,000	3.75	4.75
10	1000	25,000	3.38	4.35
11	1000	25,000	3.75	4.73
12	1000	20,000	3.30	4.25
13	1000	20,000	3.60	4.55
14	1000	20,000	3.90	4.85
15	1000	20,000	4.20	5.15

CKM
2017.01.11
研發部

TOLERANCE	
X.	X.XXX ±0.10
X.X ±0.30	
X.XX ±0.20	Angular ±2°
UNIT:	mm
DWG TYPE. Customer Drawing	

PART NO. 1502H-XP-X-HF	
DRAWING NO. C-15020101	
APPROVED BY	CHECKED BY
DRAWN BY	
PAGE 2 OF 2	
SCALE 5 : 1	
REV. B	

朝貴電子股份有限公司 CKM ELECTRONICS CO., LTD.	
DESCRIPTION WTB 1.50mm PLUG HOUSING PACKING	

B		ADDS PACKING DIAGRAM	Rock	2017.01.07
A		NEW RELEASE	Rock	2016.06.17
REV.	ECN NO	REVISION RECORD	DRAW	DATE