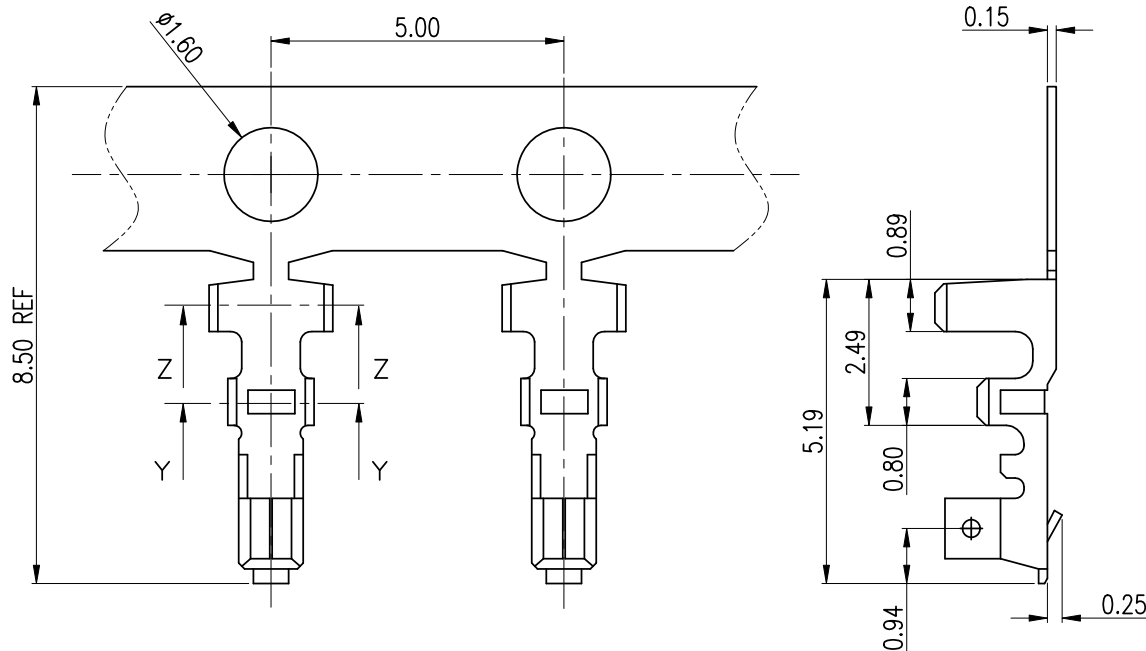
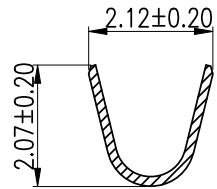
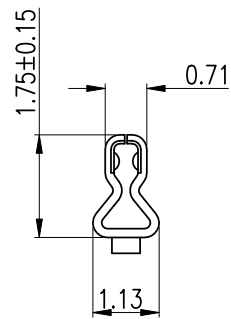


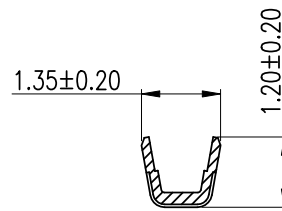
RoHS



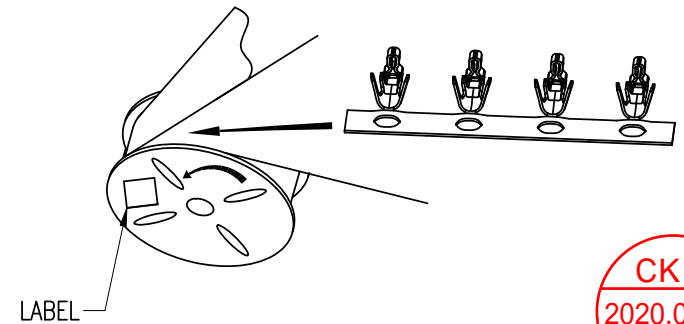
- NOTES:
1. MATERIAL:0.15mm THICK PHOSPHOR BRONZE.
 2. PLATED:TIN PLATING.
 3. APPLICABLE WIRES:AWG#24~AWG#32,
 4. INSULATOR O.D.: 0.80~1.1mm(AWG#24~AWG#30).
 5. RoHS COMPLIANT.
 6. BILL OF PART NO:
1502TOP-XX
FINISH:B1=PRE-BRIGHT TIN PLATED
 7. Q"ty/REEL:20,000 PCS.
 8. FOR COLOR,AVAILABILITY,DELIVERY & MOQ,CONTACT CKM.



SECTION Z-Z



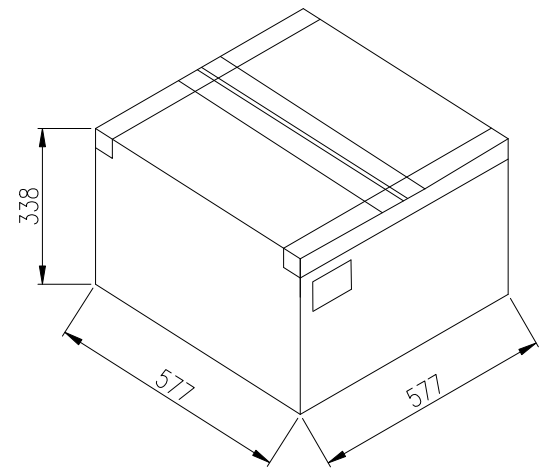
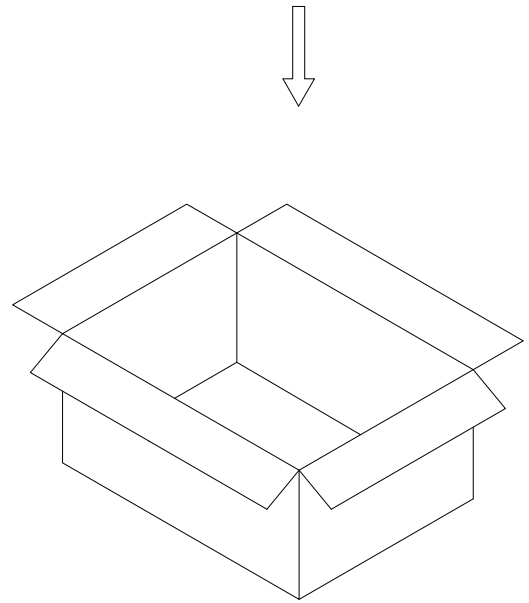
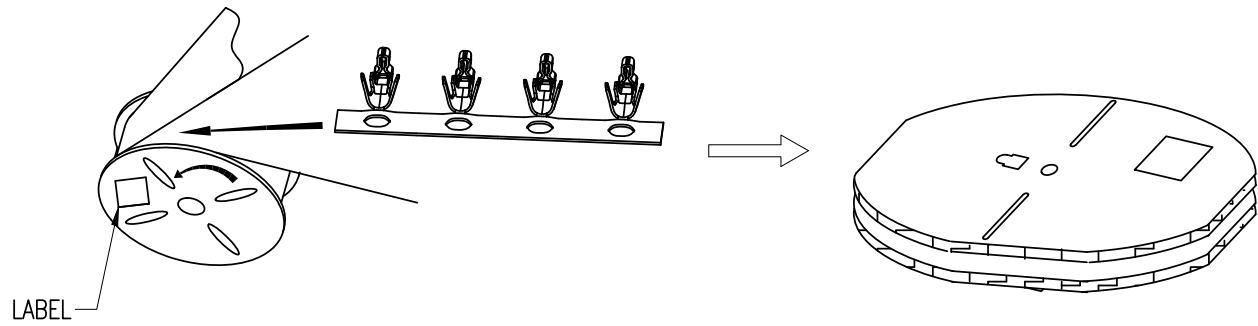
SECTION Y-Y



TOLERANCE		PART NO.		朝貴電子股份有限公司 CKM ELECTRONICS CO., LTD.	
X. X.XXX ±0.10		1502TOP-XX			
X.X ±0.30		DRAWING NO.		DESCRIPTION	
X.XX ±0.20	Angular ±2°	C-15020301		WTB 1501 SERIES TERMINAL	
UNIT: mm		APPROVED BY	CHECKED BY	DRAWN BY	PAGE
		Angus.chen	Deliang Li	Rock	1 OF 2
DWG TYPE.		APPROVED BY	CHECKED BY	DRAWN BY	SCALE
Customer Drawing		2020.01.09	2020.01.09	2020.01.09	8 : 1
					REV.
					C

C	EC-20010505	UPGRADE DRAWING	Rock	2020.01.09
B		ADDS PACKING DIAGRAM	Rock	2017.01.07
REV.	ECN NO	REVISION RECORD	DRAW	DATE

RoHS



PART NO.	PCS/REEL	PCS/CARTON	NET WEIGHT (KG)	GROSS WEIGHT (KG)
1502TOP-B1	20K	240K	5.04	11.62

REV.	ECN NO	REVISION RECORD	DRAW	DATE
C	EC-20010505	UPGRADE DRAWING	Rock	2020.01.09
B		ADDS PACKING DIAGRAM	Rock	2017.01.07

TOLERANCE X. X.XXX ±0.10 X.X ±0.30 X.XX ±0.20 Angular ±2°		PART NO. 1502TOP-XX		朝貴電子股份有限公司 CKM ELECTRONICS CO., LTD.	
UNIT: mm		DWG TYPE. Customer Drawing		DESCRIPTION WTB 1501 SERIES TERMINAL PACKING	
APPROVED BY Angus.chen 2020.01.09		CHECKED BY Deliang Li 2020.01.09		DRAWN BY Rock 2020.01.09	
				PAGE 2 OF 2	
				SCALE 8 : 1	
				REV. C	