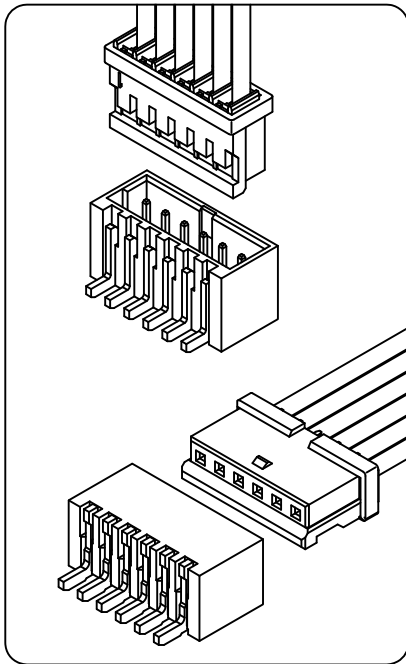


1502 Series

1.50mm[.059] pitch Wire to Board Connector



Specifications:

Circuit	2~15 Poles
Pitch between poles	1.50mm
Rated Voltage	50V AC,DC
Rated Current	1A (AWG #28)
Withstand Voltage	500V AC/minute
Contact Resistance	30mΩ Max.
Insulation Resistance	500MΩ Min.
Temperature Range	-25°~+85°C
Applicable Wire Range	AWG #28~#32

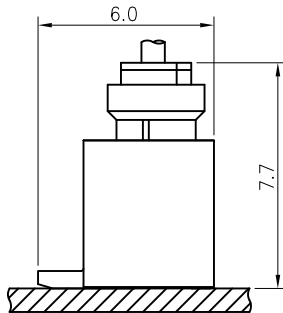
UL: Recognized No. E186634

RoHS-Specification

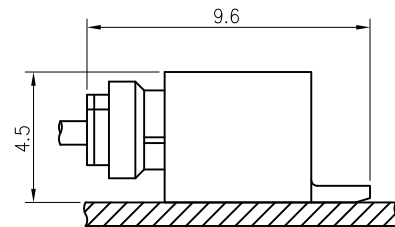
Halogen-free products

Assembly Layout

Vertical Type



Right Angle Type



Ordering Code

① ② ③ ④ ⑤
1502 H -XP -X -HF

- ① Series No.
- ② Housing
- ③ No. of circuits: 2~15
- ④ Color Code: Blank(Natural) or X(other)
- ⑤ HF: Halogen Free (or not)

① ② ③④ ⑤
1502 T -XX -XX

- ① Series No.
- ② Terminal
- ③ Crimp Type: 0=Standart Type
- ④ Material: P=Phosphor bronze
- ⑤ Plated Code: B1=Per-Tin Plated

① ②③ ⑤ ⑥⑦
1502 WX -XP -XX

- ① Series No.
- ② Wafer
- ③ Entry Type: WV=Vertical
WR=Right angle
- ④ No. of circuits: 2~15
- ⑤ Plating code: A=Matte Tin
B=Bright Tin
C=Gold
- ⑥ Color Code: Blank(Natural) or X(other)

Note: * (eg. A, B, X...) designates Plated thickness identification.
For availability, delivery, color and MOQ, contact CKM.

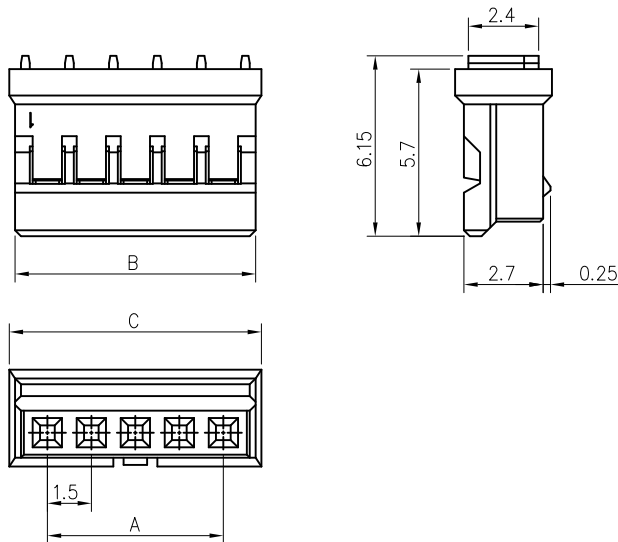
1502 Series

1.50mm[.059] pitch Crimp Terminal Socket



Features:

- * Single Row Terminal Socket
- * Material : Nylon 66 UL 94V-0 (Natural)
- * Suitable for CKM 1502 series terminal
- * CKM P/N : 1502H-XP-X-HF



Dimensional & Ordering Information:

POS	Dimensions		
	A	B	C
2		3.7	4.1
3	3.0	5.2	5.6
4	4.5	6.7	7.1
5	6.0	8.2	8.6
6	7.5	9.7	10.1
7	9.0	11.2	11.6
8	10.5	12.7	13.1
9	12.0	14.2	14.6
10	13.5	15.7	16.1
11	15.0	17.2	17.6
12	16.5	18.7	19.1
13	18.0	20.2	20.6
14	19.5	21.7	22.1
15	21.0	23.2	23.6

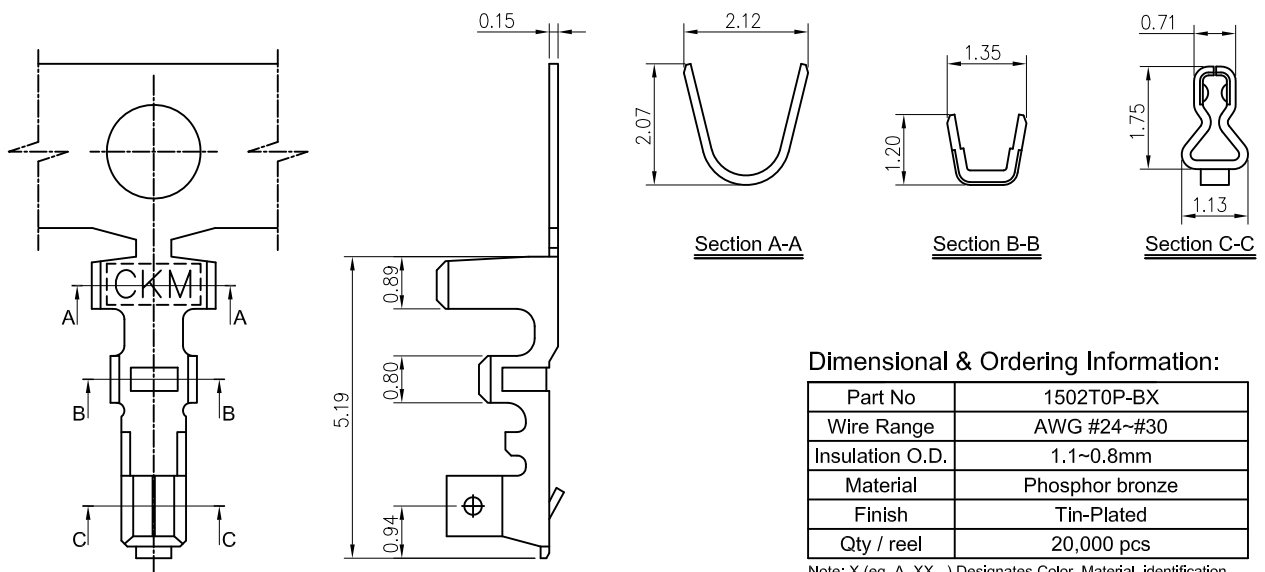
Note: X (eg. A, XX...) Designates Color, Material, identification.
For availability, delivery and MOQ, Please contact CKM.

1502 Series

1.50mm[.059] pitch Crimp Terminal

Features:

- * Used in CKM 1502 series socket
- * Material : 0.15mm thick Phosphor bronze, Tin plated
- * CKM P/N : 1502T0P-XX



Dimensional & Ordering Information:

Part No	1502T0P-BX
Wire Range	AWG #24~#30
Insulation O.D.	1.1~0.8mm
Material	Phosphor bronze
Finish	Tin-Plated
Qty / reel	20,000 pcs

Note: X (eg. A, XX...) Designates Color, Material, identification.
For availability, delivery and MOQ, Please contact CKM.

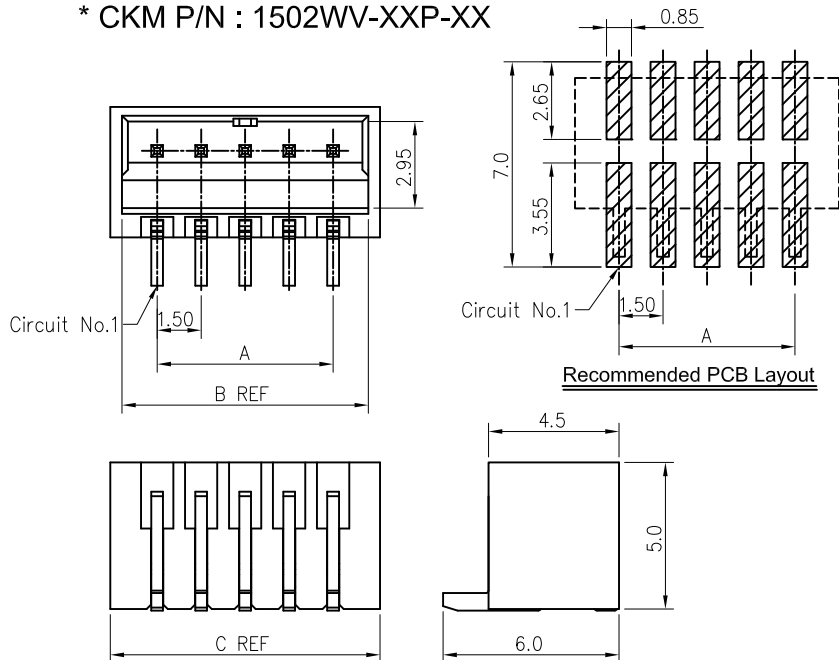
1502 Series

1.50mm[.059] pitch Wafer (Vertical-SMT Type)



Features:

- * Single Row Vertical-SMT Type Wafer
- * Material : Insulator: High Temp Thermoplastic UL 94V-0 (Natural)
Contact: 0.40mm thick Copper alloy, Tin or Gold-plated
- * Mates with CKM 1502 series socket
- * CKM P/N : 1502WV-XXP-XX



Dimensional & Ordering Information:

POS	Dimensions		
	A	B	C
2	/	3.9	4.5
3	3.0	5.4	6.0
4	4.5	6.9	7.5
5	6.0	8.4	9.0
6	7.5	9.9	10.5
7	9.0	11.4	12.0
8	10.5	12.9	13.5
9	12.0	14.4	15.0
10	13.5	15.9	16.5
11	15.0	17.4	18.0
12	16.5	18.9	19.5
13	18.0	20.4	21.0
14	19.5	21.9	22.5
15	21.0	23.4	24.0

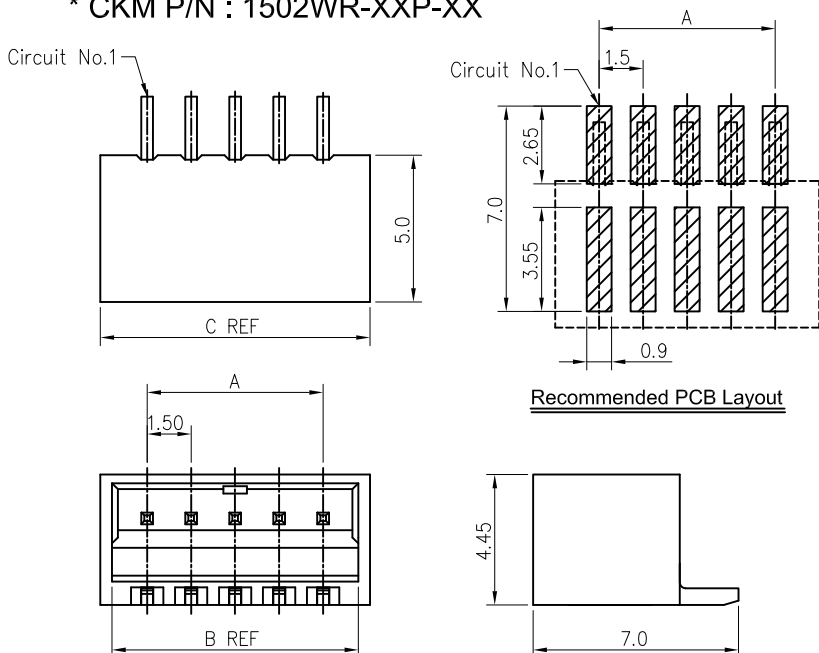
Note: X (eg. A, XX...) Designates Color, Material, identification.
For availability, delivery and MOQ, Please contact CKM.

1502 Series

1.50mm[.059] pitch Wafer (Right Angle-SMT Type)

Features:

- * Single Row Right Angle-SMT Type Wafer
- * Material : Insulator: High Temp Thermoplastic UL 94V-0 (Natural)
Contact: 0.40mm thick Copper alloy, Tin or Gold-plated
- * Mates with CKM 1502 series socket
- * CKM P/N : 1502WR-XXP-XX



Dimensional & Ordering Information:

POS	Dimensions		
	A	B	C
2	/	3.5	4.5
3	3.0	5.0	6.0
4	4.5	6.5	7.5
5	6.0	8.0	9.0
6	7.5	9.5	10.5
7	9.0	11.0	12.0
8	10.5	12.5	13.5
9	12.0	14.0	15.0
10	13.5	15.5	16.5
11	15.0	17.0	18.0
12	16.5	18.5	19.5
13	18.0	20.0	21.0
14	19.5	21.5	22.5
15	21.0	23.0	24.0

Note: X (eg. A, XX...) Designates Color, Material, identification.
For availability, delivery and MOQ, Please contact CKM.