

RoHS



NOTE:

1. MATERIALS: NYLON 66 UL 94V-0.

2. RoHS & HF COMPLIANCE.

3. BILL OF PART NO:

1501H-XP-X-HF

NO OF CIRCUITS: 2~15

HF=HALOGEN-FREE

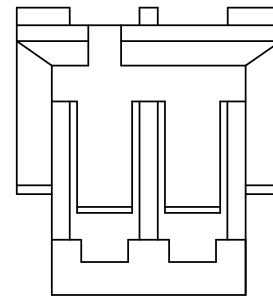
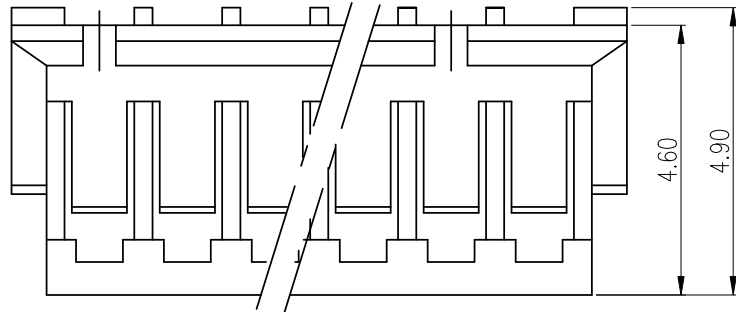
COLOR: SEE TABLE

4. FOR COLOR, AVAILABILITY, DELIVERY & MOQ, CONTACT CKM.

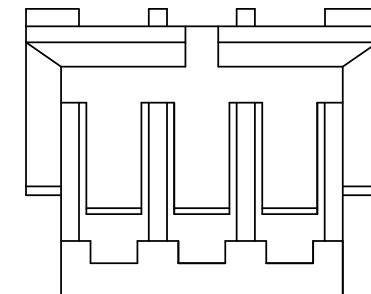
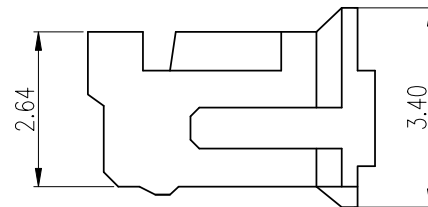
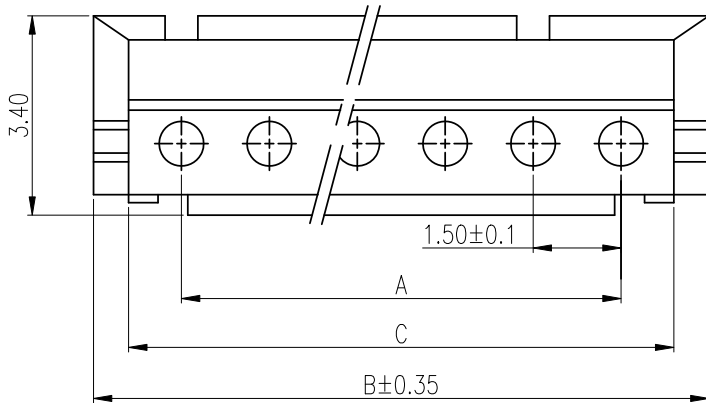
5. DIMENSIONAL

POS	A	B	C	COLOR CODE	
02		4.50	3.35	BLANK	NATURAL
03		6.00	4.85		
04	4.50	7.50	6.35	A	BLACK
05	6.00	9.00	7.85	C	RED
06	7.50	10.50	9.35	G	BLUE
07	9.00	12.00	10.85		
08	10.50	13.50	12.35		
09	12.00	15.00	13.85		
10	13.50	16.50	15.35		
11	15.00	18.00	16.85		
12	16.50	19.50	18.35		
13	18.00	21.00	19.85		
14	19.50	22.50	21.35		
15	21.00	24.00	22.85		

6. FOR COLOR, AVAILABILITY, DELIVERY & MOQ, CONTACT CKM.



ONLY 2 POS

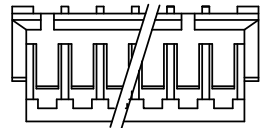


ONLY 3 POS

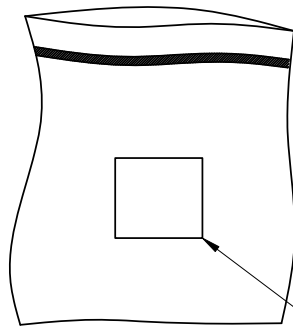
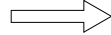
<b>TOLERANCE</b>		<b>PART NO.</b>		朝貴電子股份有限公司 CKM ELECTRONICS CO., LTD.	
X.	X.XXX ±0.10	1501H-XP-X-HF			
X.X	±0.30	<b>DRAWING NO.</b>		<b>DESCRIPTION</b>	
X.XX	±0.20	C-15010101-XX		WTB 1501 SERIES 1.50MM HOUSING	
<b>DWG TYPE.</b> Customer Drawing		<b>APPROVED BY</b>	<b>CHECKED BY</b>	<b>DRAWN BY</b>	<b>PAGE</b>
		Angus.Chen 2020.04.20	Sun.Lee 2020.04.20	Rock 2020.04.20	1 OF 2
				<b>SCALE</b>	<b>REV.</b>
				8 : 1	D

D	EC-20050578	UPGRADE DRAWING	Rock	2020.04.20
C		UPGRADE DRAWING	Rock	2019.04.03
<b>REV.</b>	<b>ECN NO</b>	<b>REVISION RECORD</b>	<b>DRAW</b>	<b>DATE</b>

RoHS



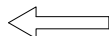
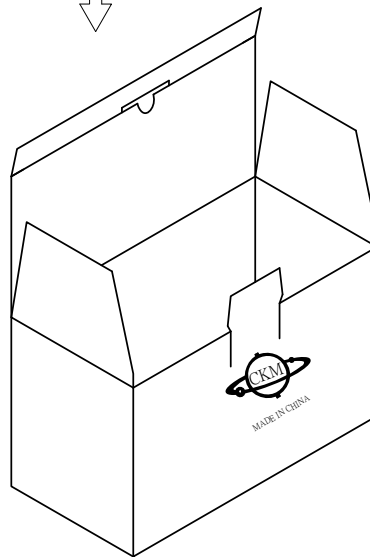
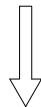
PRODUCT



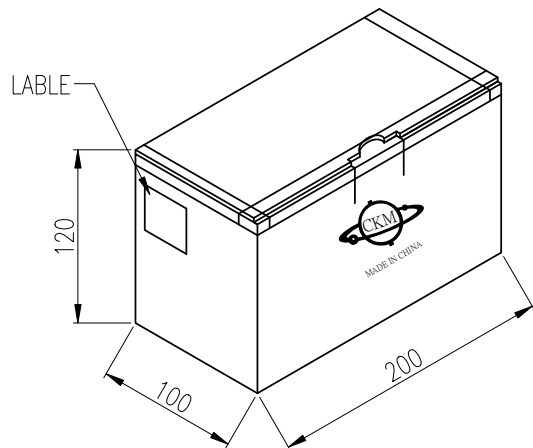
1000PCS/BAG



LABLE



LABLE



POS	PCS/BAG	PCS/CARTON	NET WEIGHT (KG)	CROSS WEIGHT (KG)
2	1000	12000	0.35	0.67
3	1000	12000	0.48	0.80
4	1000	10000	0.50	0.82
5	1000	10000	0.60	0.92
6	1000	8000	0.57	0.89
7	1000	8000	0.65	0.97
8	1000	6000	0.55	0.87
9	1000	6000	0.61	0.93
10	1000	5000	0.56	0.88
11	1000	5000	0.61	0.93
12	1000	4000	0.53	0.85
13	1000	4000	0.57	0.89
14	1000	2000	0.31	0.63
15	1000	2000	0.33	0.65

<b>TOLERANCE</b>		<b>PART NO.</b> 1501H-XP-X-HF  <b>DRAWING NO.</b> C-15010101-XX	朝貴電子股份有限公司 CKM ELECTRONICS CO., LTD.				
X.	X.XXX ±0.10						
X.X	±0.30	<b>DESCRIPTION</b> WTB 1501 SERIES 1.50MM HOUSING PACKING					
X.XX	±0.20				Angular ±2°		
		<b>UNIT:</b> mm	<b>APPROVED BY</b> Angus.Chen 2020.04.20	<b>CHECKED BY</b> Sun.Lee 2020.04.20	<b>DRAWN BY</b> Rock 2020.04.20	<b>PAGE</b> 2 OF 2	<b>REV.</b> D
<b>DWG TYPE.</b> Customer Drawing		<b>SCALE</b> 8 : 1					

D	EC-20050578	UPGRADE DRAWING	Rock	2020.04.20
C		UPGRADE DRAWING	Rock	2019.04.03
<b>REV.</b>	<b>ECN NO</b>	<b>REVISION RECORD</b>	<b>DRAW</b>	<b>DATE</b>

1

2

3

4

5

6