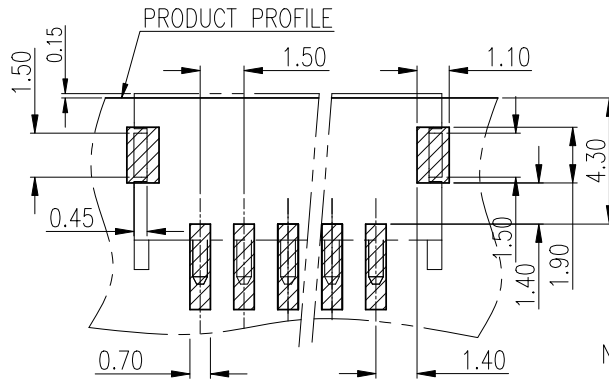
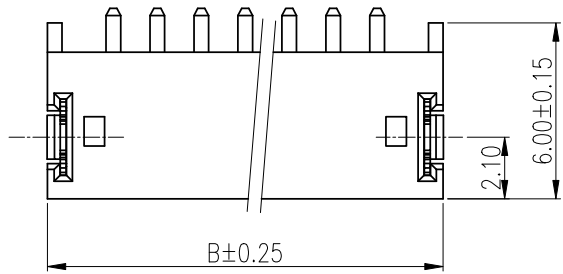


RoHS



PCB LAYOUT
TOLERANCE:±0.05

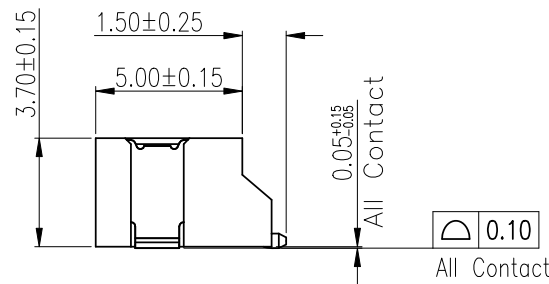
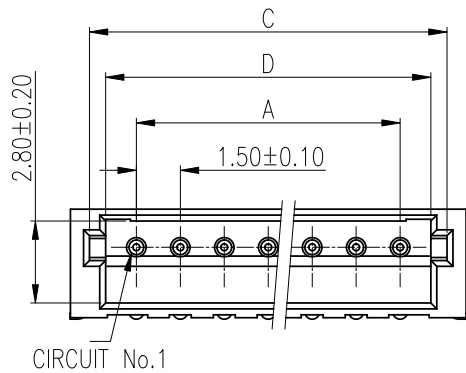
NOTE:

- 1. MATERIAL SPECIFICATION
 - 1.1.INSULATION: LCP UL94V-0.
 - 1.2.CONTACT: ø0.5mm BRASS.
 - 1.3.SOLDER TAB: 0.2mm THICK BRASS.
- 2. FINISH:
 - 2.1.PIN:MATTE TIN PLATED.
 - 2.2.SOLDER TAB: TIN PLATED
- 3. RoHS & HF COMPLIANCE.
- 4.BILL OF PART NO:

1501WRS-XP-AX-HF

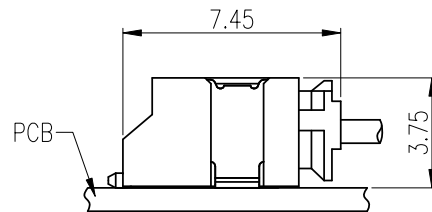
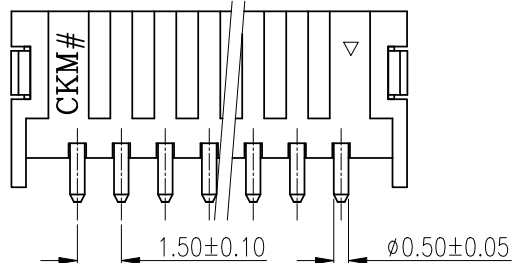
NO OF CIRCUITS:2~15
 FINISH:A=MATTE TIN PLATING. HF=HALOGEN FREE
 COLOR CODE:SEE TABLE

- 5. FOR COLOR,AVAILABILITY,DELIVERY & MOQ,CONTACT CKM.
- 6 .DIMENSIONAL



POS	DIMENSIONS			
	A	B	C	D
2		6.00	4.70	3.60
3	3.00	7.50	6.20	5.10
4	4.50	9.00	7.70	6.60
5	6.00	10.50	9.20	8.10
6	7.50	12.00	10.70	9.60
7	9.00	13.50	12.20	11.10
8	10.50	15.00	13.70	12.60
9	12.00	16.50	15.20	14.10
10	13.50	18.00	16.70	15.60

COLOR CODE	
BLANK	NATURAL
A	BLACK
C	RED
G	BLUE



ASSEMBLY LAYOUT
SIDE ENTRY TYPE



TOLERANCE	
X.	X.XXX ±0.10
X.X	±0.30
X.XX	±0.20
	Angular ±2°
	UNIT: mm
DWG TYPE. Customer Drawing	

PART NO. 1501WRS-XP-AX-HF	
DRAWING NO. C-1501WRS-XP-AX-HF	
APPROVED BY Ivan.Su 2022.09.19	CHECKED BY Sun.Lee 2022.09.19

朝貴電子股份有限公司
 CKM ELECTRONICS CO., LTD.

DESCRIPTION WTB 1501 SERIES 1.5mm PITCH
 RIGHT ANGLE SMT TYPE

DRAWN BY Rock 2022.09.19	PAGE 1 OF 2	REV. D
SCALE 4 : 1		

REV.	ECN NO	REVISION RECORD	DRAW	DATE
D	EC-22091333	UPGRADE DRAWING	Rock	2022.09.19
C	EC-19020199	UPGRADE DRAWING	Rock	2019.02.27
B		UPGRADE DRAWING	JiaLong.Liang	2017.12.19

RoHS



PEELING STRENGTH:10~130GF
PEELING SPEED:300mm/Min

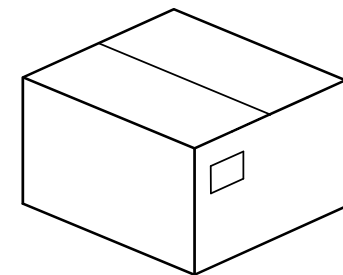
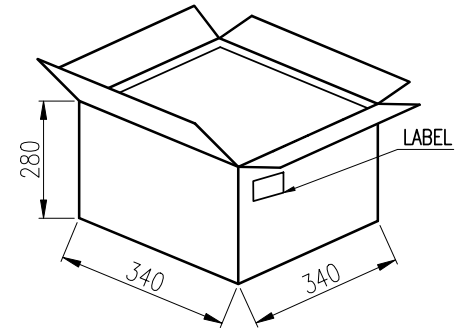
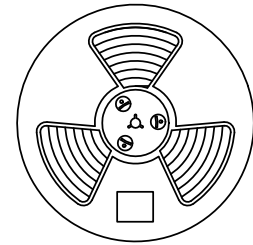
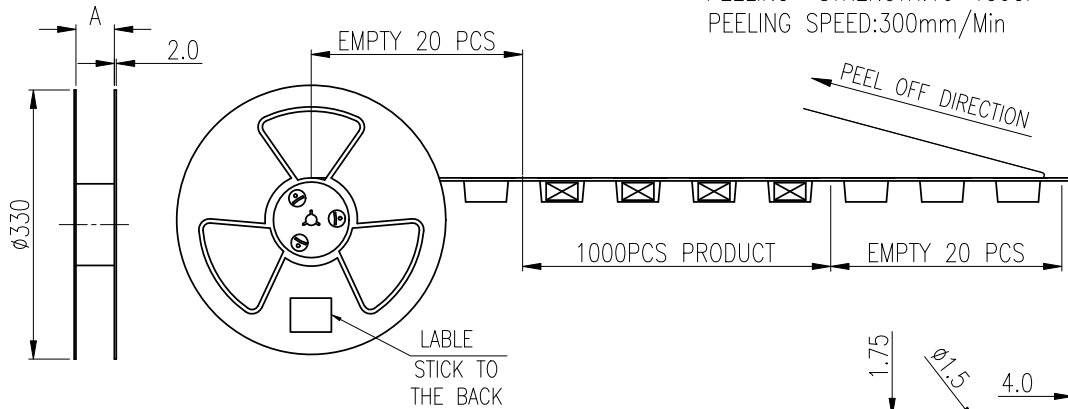


TABLE 1:

POS.	A	W	S	F
2	16.5	16.0		7.5
3~7	24.5	24.0		11.5
8~10	44.5	44.0	40.4	20.2

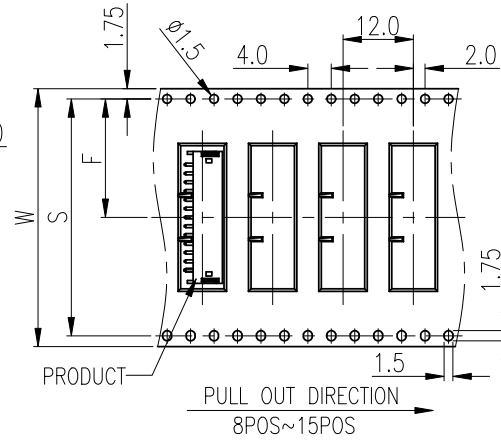
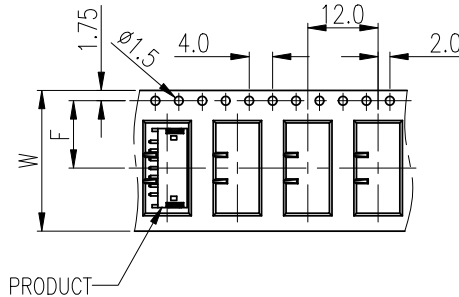


TABLE 2:

POS	PCS/REEL	PCS/CARTON	NET WEIGHT (KG)	GROSS WEIGHT (KG)
2	1000	11000	1.76	8.26
3	1000	9000	1.71	7.21
4	1000	9000	1.98	7.48
5	1000	9000	2.25	7.75
6	1000	9000	2.52	8.02
7	1000	9000	2.79	8.29
8	1000	5000	1.70	5.20
9	1000	5000	1.85	5.35
10	1000	5000	2.00	5.50



TOLERANCE		PART NO.		朝貴電子股份有限公司 CKM ELECTRONICS CO., LTD.	
X.	X.XXX ±0.10	1501WRS-XP-AX-HF		DESCRIPTION WTB 1501 SERIES 1.5mm PITCH RIGHT ANGLE SMT TYPE PACKING	
X.X ±0.30		DRAWING NO. C-1501WRS-XP-AX-HF			
X.XX ±0.20	Angular ±2°	APPROVED BY Ivan.Su 2022.09.19		CHECKED BY	DRAWN BY Rock 2022.09.19
UNIT: mm		DWG TYPE. Customer Drawing		PAGE 2 OF 2	REV. D
SCALE 4 : 1					

REV.	ECN NO	REVISION RECORD	DRAW	DATE
D	EC-22091333	UPGRADE DRAWING	Rock	2022.09.19
C	EC-19020199	UPGRADE DRAWING	Rock	2019.02.27
B		UPGRADE DRAWING	JiaLong.Liang	2017.12.19