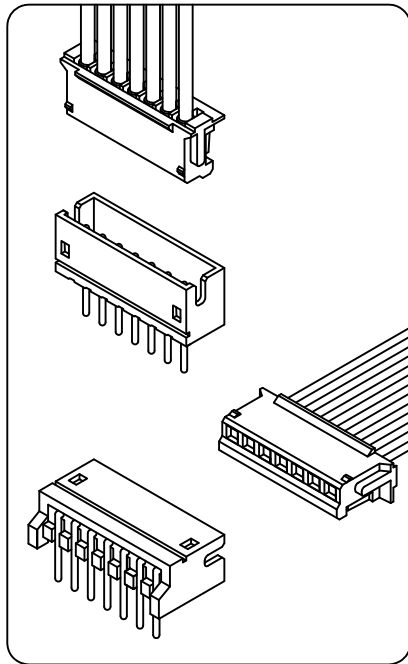


1501 Series

1.50mm[.059] pitch Wire to Board Connector



Specifications:

| | |
|-----------------------|----------------|
| Circuit | 2~15 Poles |
| Pitch between poles | 1.50mm |
| Rated Voltage | 50V AC,DC |
| Rated Current | 1A (AWG #28) |
| Withstand Voltage | 500V AC/minute |
| Contact Resistance | 30mΩ Max. |
| Insulation Resistance | 500MΩ Min. |
| Temperature Range | -25°~+85°C |
| Applicable Wire Range | AWG #28~#32 |

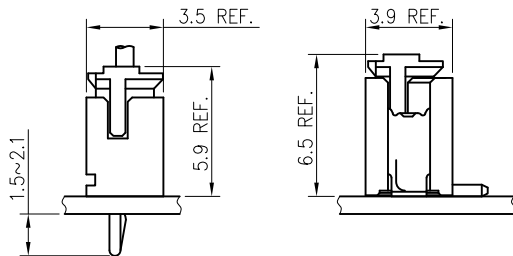
SP® CSA: Certified No. LR110611

RoHS RoHS-Specification

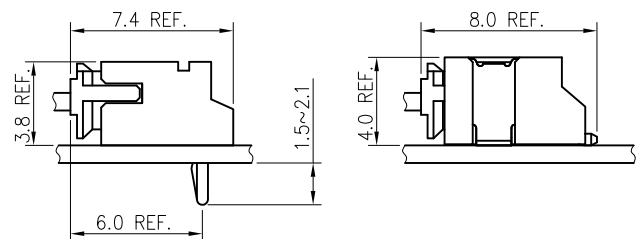
HF Halogen-free products

Assembly Layout

Vertical Type



Right Angle Type



Ordering Code

① ② ③ ④ ⑤
1501 H -XP -X -HF

- ① Series No.
- ② Housing
- ③ No. of circuits: 2~15
- ④ Color Code: Blank(Natural) or A(Black)
- ⑤ HF: Halogen Free (or not)

① ② ③④ ⑤
1501 T -0P -XX

- ① Series No.
- ② Terminal
- ③ Crimp Type: 0=Standart Type,
- ④ Material: P=Phosphor bronze
- ⑤ Plated Code: B1=Per-Tin Plated
B2=Post-Tin Plated
C=Gold Flash Plated

① ②③④ ⑤ ⑥⑦ ⑧
1501 WXX -XP -XX -HF

- ① Series No.
- ② Wafer
- ③ Entry Type: WV=Vertical
WR=Right angle
- ④ Solder Type: Blank=DIP Type
S=SMT Type
- ⑤ No. of circuits: 2~15
- ⑥ Plating code: A=Matte Tin
B=Bright Tin
C=Gold
- ⑦ Color Code: Blank(Natural) or A(Black)
- ⑧ HF: Halogen Free (or not)

Note: * (eg. A, B, X...) designates Plated thickness identification.
For availability, delivery, color and MOQ, contact CKM.

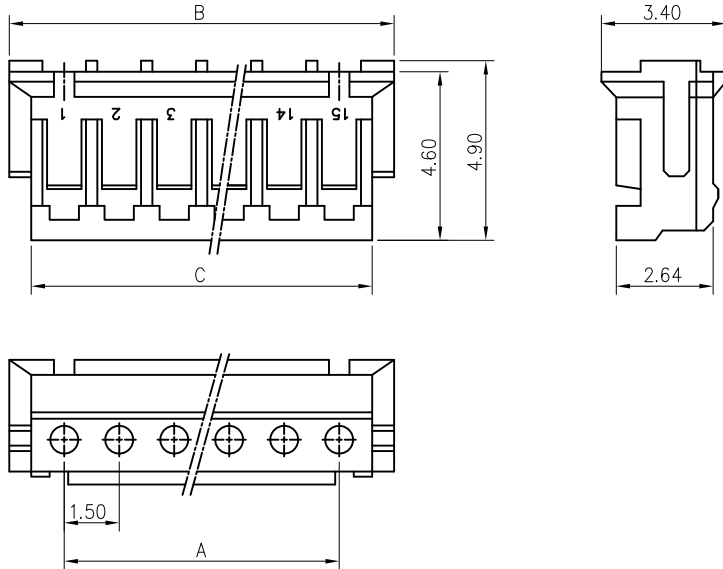
1501 Series

1.50mm[.059] pitch Crimp Terminal Socket



Features:

- * Single Row Terminal Socket
- * Material : Nylon 66 UL 94V-0 (Natural)
- * Suitable for CKM 1501 series terminal
- * CKM P/N : 1501H-XP-X-XX



Dimensional & Ordering Information:

| POS | Dimensions | | |
|-----|------------|------|-------|
| | A | B | C |
| 2 | | 4.5 | 3.35 |
| 3 | 3.0 | 6.0 | 4.85 |
| 4 | 4.5 | 7.5 | 6.35 |
| 5 | 6.0 | 9.0 | 7.85 |
| 6 | 7.5 | 10.5 | 9.35 |
| 7 | 9.0 | 12.0 | 10.85 |
| 8 | 10.5 | 13.5 | 12.35 |
| 9 | 12.0 | 15.0 | 13.85 |
| 10 | 13.5 | 16.5 | 15.35 |
| 11 | 15.0 | 18.0 | 16.85 |
| 12 | 16.5 | 19.5 | 18.35 |
| 13 | 18.0 | 21.0 | 19.85 |
| 14 | 19.5 | 22.5 | 21.35 |
| 15 | 21.0 | 24.0 | 22.85 |

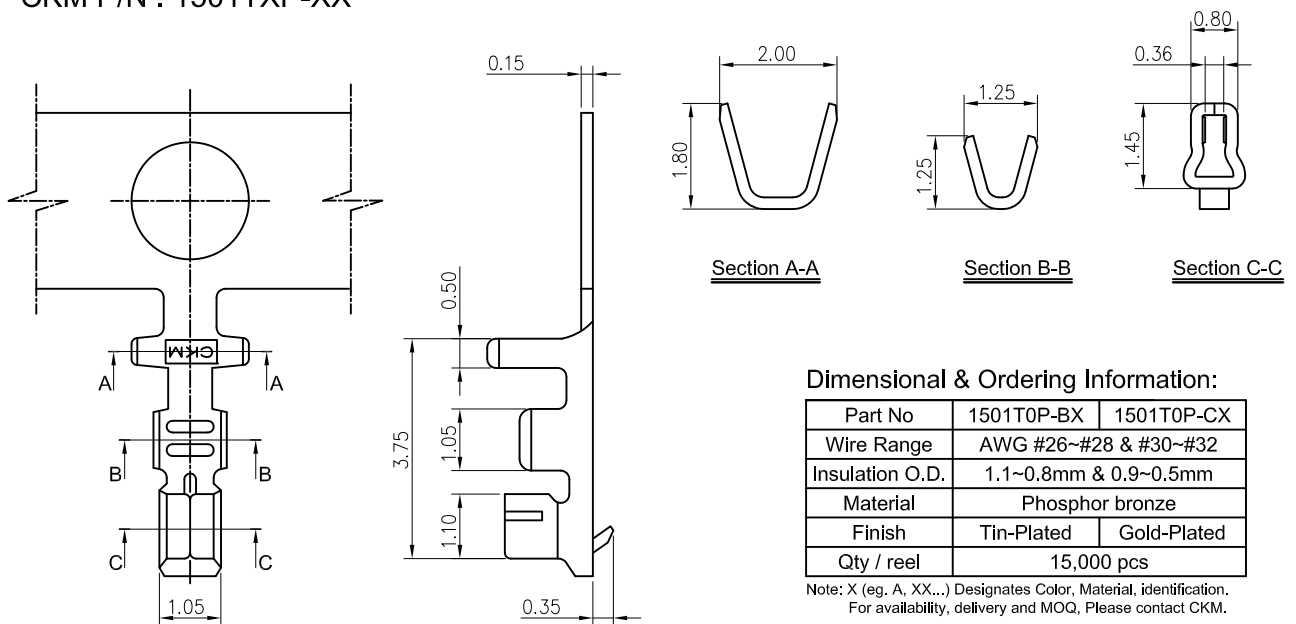
Note: X (eg. A, XX...) Designates Color, Material, identification.
For availability, delivery and MOQ, Please contact CKM.

1501 Series

1.50mm[.059] pitch Crimp Terminal

Features:

- * Used in CKM 1501 series socket
- * Material : 0.15mm thick Phosphor bronze, Tin or Gold-plated
- * CKM P/N : 1501TXP-XX



Dimensional & Ordering Information:

| Part No | 1501T0P-BX | 1501T0P-CX |
|-----------------|-----------------------|-------------|
| Wire Range | AWG #26-#28 & #30-#32 | |
| Insulation O.D. | 1.1~0.8mm & 0.9~0.5mm | |
| Material | Phosphor bronze | |
| Finish | Tin-Plated | Gold-Plated |
| Qty / reel | 15,000 pcs | |

Note: X (eg. A, XX...) Designates Color, Material, identification.
For availability, delivery and MOQ, Please contact CKM.

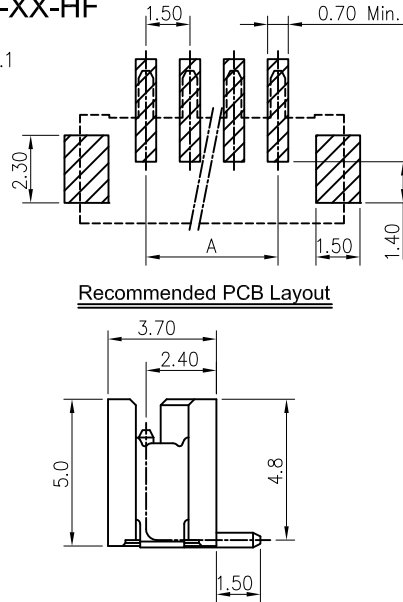
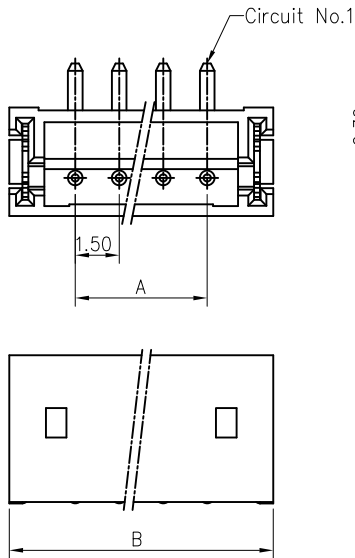
1501 Series

1.50mm[.059] pitch Wafer (Vertical-SMT Type)



Features:

- * Single Row Vertical-SMT Type Wafer
- * Material : Insulator: High Temp Thermoplastic UL 94V-0 (Natural)
Contact Post: Ø0.50mm Brass, Tin plated
Solder Tab: 0.20mm thick Brass, Tin-plated
- * Mates with CKM 1501 series socket
- * CKM P/N : 1501WVS-XP-XX-HF



Dimensional & Ordering Information:

| POS | Dimensions | |
|-----|------------|------|
| | A | B |
| 2 | | 6.0 |
| 3 | 3.0 | 7.5 |
| 4 | 4.5 | 9.0 |
| 5 | 6.0 | 10.5 |
| 6 | 7.5 | 12.0 |
| 7 | 9.0 | 13.5 |
| 8 | 10.5 | 15.0 |
| 9 | 12.0 | 16.5 |
| 10 | 13.5 | 18.0 |
| 11 | 15.0 | 19.5 |
| 12 | 16.5 | 21.0 |
| 13 | 18.0 | 22.5 |
| 14 | 19.5 | 24.0 |
| 15 | 21.0 | 25.5 |

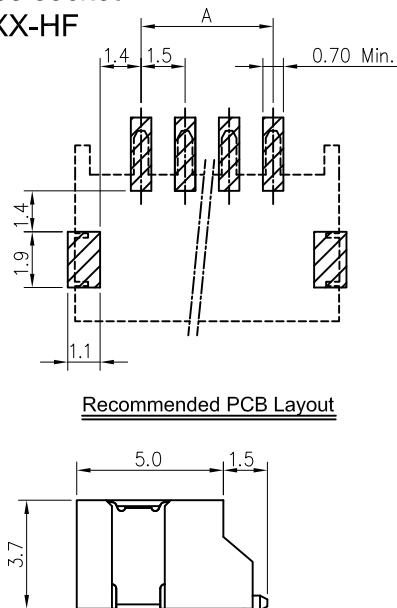
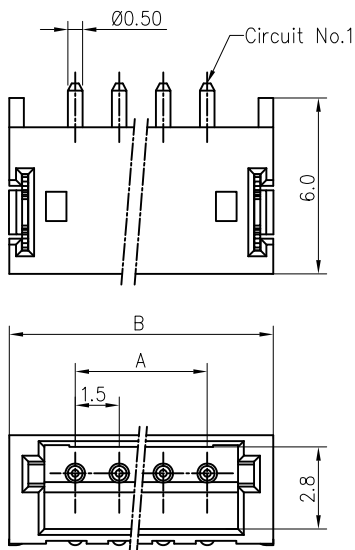
Note: X (eg. A, XX...) Designates Color, Material, identification.
For availability, delivery and MOQ, Please contact CKM.

1501 Series

1.50mm[.059] pitch Wafer (Right Angle-SMT Type)

Features:

- * Single Row Right Angle-SMT Type Wafer
- * Material : Insulator: High Temp Thermoplastic UL 94V-0 (Natural)
Contact Post: Ø0.50mm Brass, Tin plated
Solder Tab: 0.20mm thick Brass, Tin-plated
- * Mates with CKM 1501 series socket
- * CKM P/N : 1501WRS-XP-XX-HF



Dimensional & Ordering Information:

| POS | Dimensions | |
|-----|------------|------|
| | A | B |
| 2 | | 6.0 |
| 3 | 3.0 | 7.5 |
| 4 | 4.5 | 9.0 |
| 5 | 6.0 | 10.5 |
| 6 | 7.5 | 12.0 |
| 7 | 9.0 | 13.5 |
| 8 | 10.5 | 15.0 |
| 9 | 12.0 | 16.5 |
| 10 | 13.5 | 18.0 |
| 11 | 15.0 | 19.5 |
| 12 | 16.5 | 21.0 |
| 13 | 18.0 | 22.5 |
| 14 | 19.5 | 24.0 |
| 15 | 21.0 | 25.5 |

Note: X (eg. A, XX...) Designates Color, Material, identification.
For availability, delivery and MOQ, Please contact CKM.