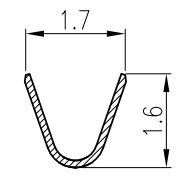
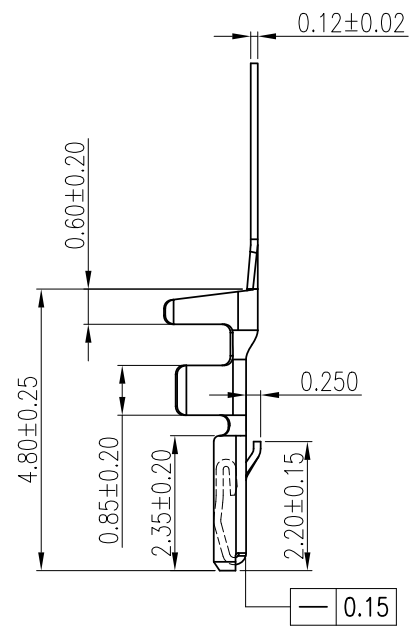
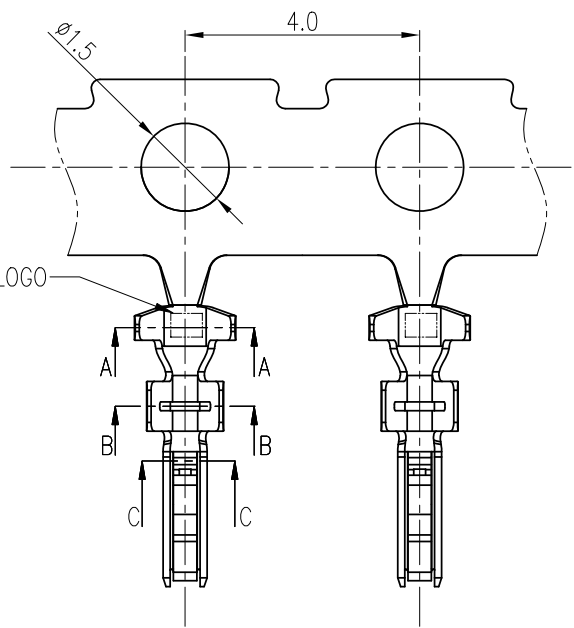
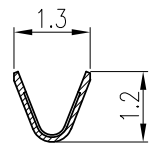


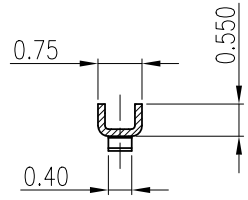
RoHS



SECTION A-A



SECTION B-B



SECTION C-C

NOTE:

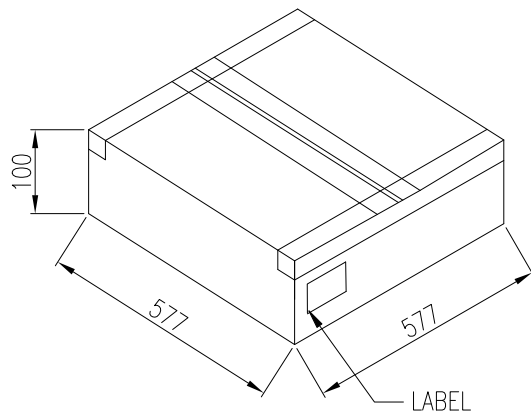
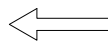
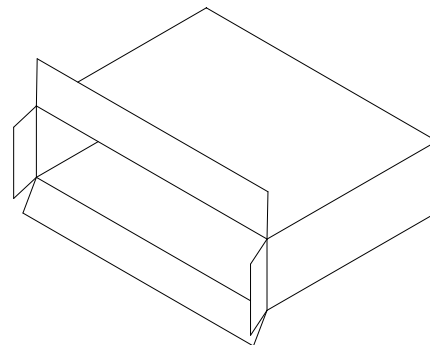
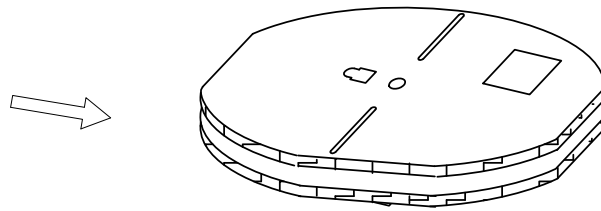
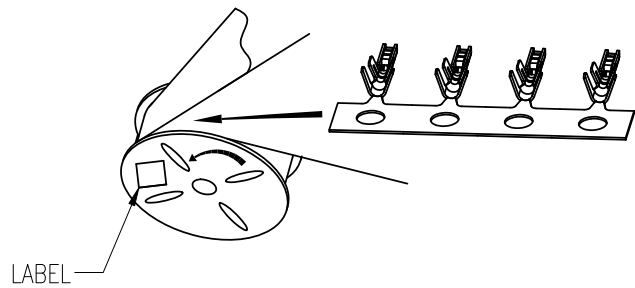
1. MATERIAL: 0.12mm THICK PHOSPHOR BRONZE
2. FINISH: TIN PLATED OR GOLD PLATED
3. APPLICABLE WIRES:AWG#30 TO #26
4. INSULATION O.D.: 0.80mm TO 1.0mm
5. RoHS COMPLIANT
6. BILL OF PART NO:
1258TOP-XX
FINISH: A2=POST-MATTE TIN PLATED
B2=POST-BRIGHT TIN PLATED
C=POST-GOLD FLASH(VOER ALL)
7. FOR AVAILABILITY, DELIVERY & MOQ, CONTACT CKM



TOLERANCE		PART NO.		朝貴電子股份有限公司 CKM ELECTRONICS CO., LTD.	
X.	X.XXX ±0.10	1258TOX-XX			
X.X	±0.30	DRAWING NO.		DESCRIPTION	
X.XX	±0.20	C-1258TOX-XX		1.25mm PITCH CRIMP TERMINAL	
UNIT: mm		APPROVED BY	CHECKED BY	DRAWN BY	PAGE
		DWG TYPE. Customer Drawing	Ivan.Su 2022.02.22	Sun.Lee 2022.02.22	Rock 2022.02.22
				SCALE	REV.
				8 : 1	E

E	EC-22030051	UPGRADE DRAWING	Rock	2022.02.22
D	EC-19010165	UPGRADE DRAWING	Rock	2019.01.10
REV.	ECN NO	REVISION RECORD	DRAW	DATE

RoHS



PART NO.	PCS/REEL	PCS/CARTON	NET WEIGHT (KG)	CROSS WEIGHT (KG)
1258TOP-XX	20K	60K	1.32	3.25

TOLERANCE X. X.XXX ±0.10 X.X ±0.30 X.XX ±0.20 Angular ±2°		PART NO. 1258TOX-XX		朝貴電子股份有限公司 CKM ELECTRONICS CO., LTD.	
		DRAWING NO. C-1258TOX-XX		DESCRIPTION 1.25mm PITCH CRIMP TERMINAL PACKING	
DWG TYPE. Customer Drawing		APPROVED BY Ivan.Su 2022.02.22	CHECKED BY Sun.Lee 2022.02.22	DRAWN BY Rock 2022.02.22	PAGE 2 OF 2 SCALE 8 : 1
				REV. E	

E	EC-22030051	UPGRADE DRAWING	Rock	2022.02.22
D	EC-19010165	UPGRADE DRAWING	Rock	2019.01.10
REV.	ECN NO	REVISION RECORD	DRAW	DATE