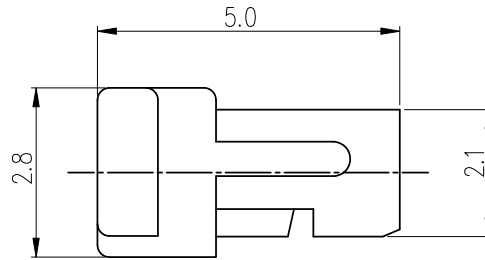
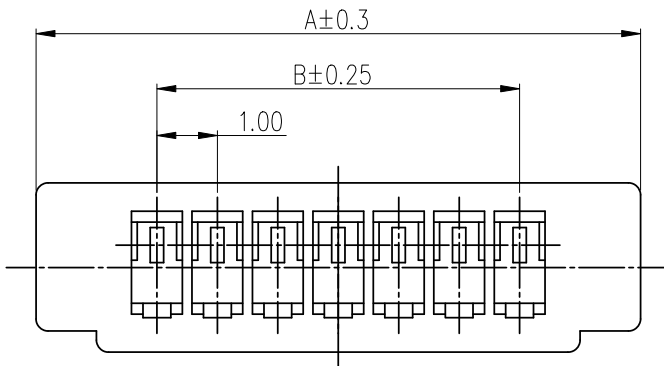


RoHS

HF



NOTE:

1. MATERIALS: NYLON 66 UL 94V-0.

2. RoHS & HF COMPLIANCE.

3. BILL OF PART NO:

1001H-XP-X-HF

HF=HALOGEN FREE

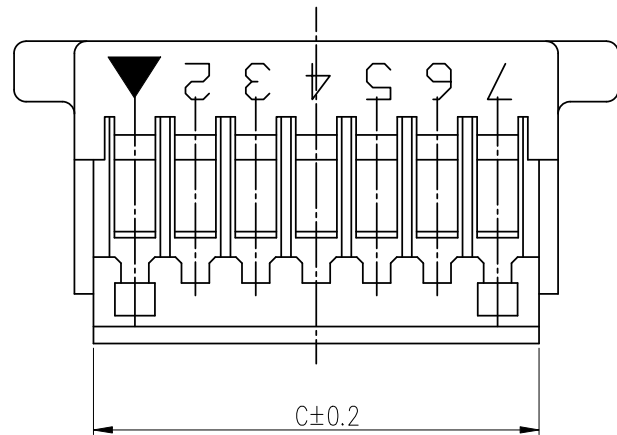
NO OF CIRCUITS: 2~20

COLOR: BLANK(NATURAL) OR A~Z




4. FOR COLOR, AVAILABILITY, DELIVERY & MOQ, CONTACT CKM.

5. DIMENSIONAL

POS	A	B	C
2	5.00	1.00	2.37
3	6.00	2.00	3.37
4	7.00	3.00	4.37
5	8.00	4.00	5.37
6	9.00	5.00	6.37
7	10.00	6.00	7.37
8	11.00	7.00	8.37
9	12.00	8.00	9.37
10	13.00	9.00	10.37
11	14.00	10.00	11.37
12	15.00	11.00	12.37
13	16.00	12.00	13.37
14	17.00	13.00	14.37
15	18.00	14.00	15.37
16	19.00	15.00	16.37
17	20.00	16.00	17.37
18	21.00	17.00	18.37
19	22.00	18.00	19.37
20	23.00	19.00	20.37

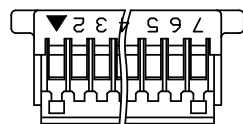


CKM  
2016.12.29  
研發部

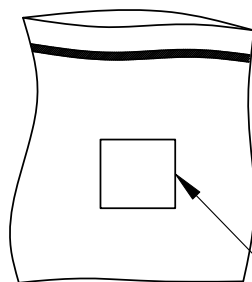
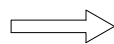
TOLERANCE		PART NO.		 朝貴電子股份有限公司 CKM ELECTRONICS CO., LTD.		
X.	X.XXX $\pm 0.10$	1001H-XP-X-HF				
X.X	$\pm 0.30$	DRAWING NO.		DESCRIPTION WTB 1001 SERIES HOUSING		
X.XX	$\pm 0.20$	C-10010101-XX				
  UNIT: mm		APPROVED BY	CHECKED BY	DRAWN BY	PAGE	REV. G
DWG TYPE. Customer Drawing					1 OF 2	
				SCALE		
				8 : 1		

G		ADDS PACKING DIAGRAM	Rock	2016.12.26
F		UPGRADE DRAWING	Rock	2015.11.03
REV.	ECN NO	REVISION RECORD	DRAW	DATE

RoHS

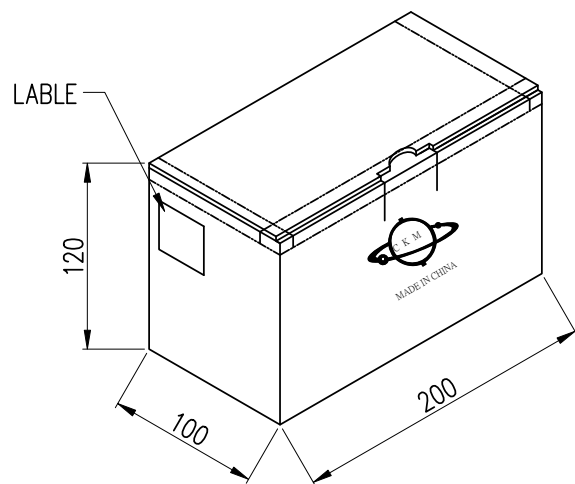
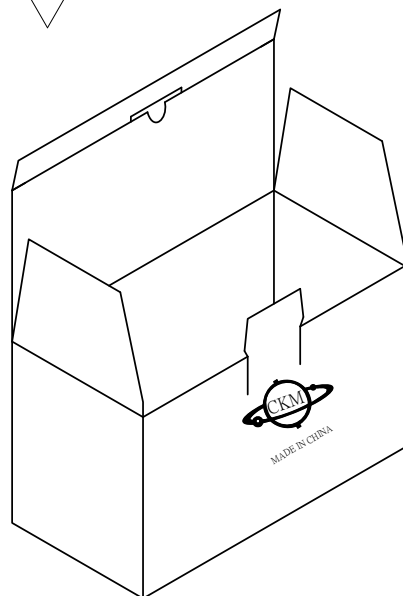


PRODUCT



1000PCS/BAG

LABLE



LABLE

120

100

200

POS	PCS/BAG	PCS/CARTON	NET WEIGHT (KG)	CROSS WEIGHT (KG)
2	1000	20000	0.74	0.94
3	1000	18000	0.77	0.97
4	1000	16000	0.78	0.98
5	1000	15000	0.83	1.03
6	1000	12000	0.73	0.93
7	1000	12000	0.80	1.00
8	1000	10000	0.73	0.93
9	1000	10000	0.79	0.99
10	1000	9000	0.77	0.97
11	1000	8000	0.73	0.93
12	1000	8000	0.78	0.98
13	1000	7000	0.72	0.92
14	1000	7000	0.76	0.96
15	1000	6000	0.69	0.89
16	1000	6000	0.73	0.93
17	1000	5000	0.64	0.84
18	1000	5000	0.67	0.87
19	1000	4000	0.56	0.76
20	1000	4000	0.58	0.78



TOLERANCE	
X.	X.XXX ±0.10
X.X ±0.30	
X.XX ±0.20	Angular ±2°
	UNIT: mm
DWG TYPE. Customer Drawing	

PART NO. 1001H-XP-X-HF
DRAWING NO. C-10010101-XX
APPROVED BY
CHECKED BY
DRAWN BY

朝貴電子股份有限公司 CKM ELECTRONICS CO., LTD.	
DESCRIPTION WTB 1001 SERIES HOUSING	
PAGE 2 OF 2	REV. G
SCALE 8 : 1	

G		ADDS PACKING DIAGRAM	Rock	2016.12.26
F		UPGRADE DRAWING	Rock	2015.11.03
REV.	ECN NO	REVISION RECORD	DRAW	DATE